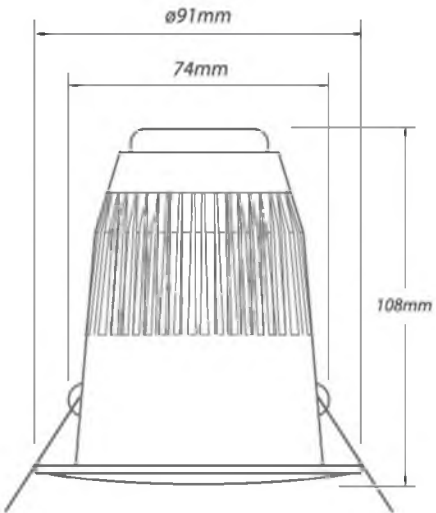




A brand of
MATRIX
L I G H T I N G

POLAR CURVE:



WWW.VIRIBRIGHT.COM

LED Downlight

VIRIBRIGHT™ LED Downlight is a direct replacement for 50-60W halogen and 9-13W CFL downlight and provides up to 85% energy savings over halogen. With long life, low energy consumption, no hazardous mercury, VIRIBRIGHT™ LED Downlight is setting the benchmark for price and performance.

General Specifications

Base Type	AC Terminal	
Color Temperature (K)	2800 / 4000 / 6000	
Lumen (Lm)	2800K	550
	4000K	700
	6000K	700
CRI	>80	
Beam Angle (°)	80°	
Lifespan	Up to 25,000 hrs	
Certification	Pending CE & UL	

Electrical Characteristics

Wattage	8W
Voltage	110-120V AC / 220-240V AC
Working Frequency (Hz)	50-60
Power Factor	0.9
Operating Temperature (°C)	-20° to 45°
Storage Temperature (°C)	-40° to 85°

