



Self-contained ice maker - Sprayer system Daily production up to 73 kg

Hotel	████████████████████
Restaurant	██████████████████
Fast food	██████████████
Bar	██████████████████
Disco	██████████████████
Fish market	██████████████
Supermarket	██████████████
Medical & SPA	██████████████
Industry	██████████████

► Position n°



► Features & Plus

- Resistant and crystal cube
- AISI 304 SS Scotch Brite finish
- Tropical class +43°C
- Adjustable Stainless Steel feet
- Removable and cleanable air filter
- Air cooling system
- Easy cleanable internal rounded surfaces
- HCFC-Free insulated storage
- RoHS Free
- Disappearing insulated door
- Electromechanical operation
- ON-OFF rocker switch
- Standard voltages
- HFC Free
- Automatic Washing system



AISI 304 SS Scotch Brite finish



Adjustable Stainless Steel feet

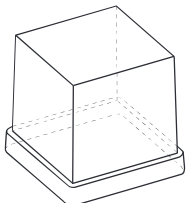


Removable and cleanable air filter



Disappearing insulated door

► Available ice cube size



Cube 23 grams
dimensions H 31.5 x L 32.5

► Prod. 24h

Air temp.		Water temp.		kg	lbs
10° C	50° F	7° C	45° F	73	161
21° C	70° F	15° C	60° F	72	159

2 Years Warranty
subject to limitations

► Certifications available for this model



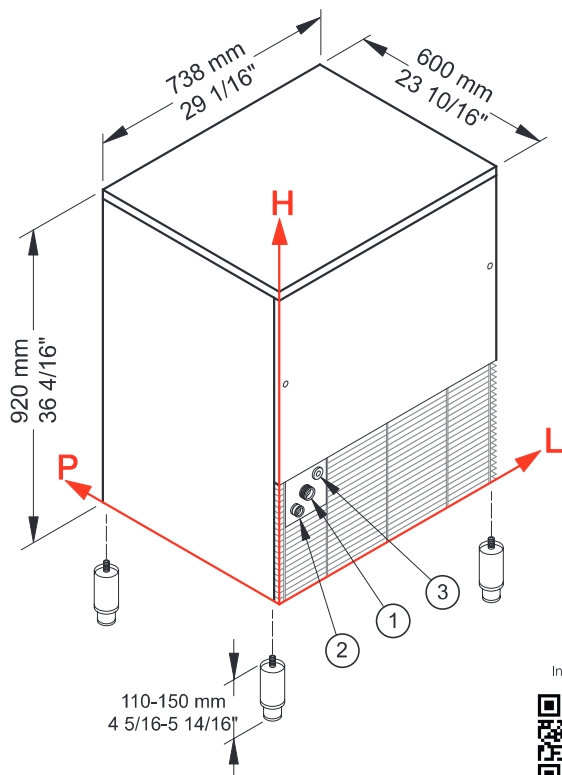


B-Qube

CB 640 HC



Self-contained ice maker - Sprayer system Daily production up to 73 kg



► Working conditions

- Location: **Indoor**

	Min	Max
Ambient temperature	+10° C / +50° F	+43° C / 110° F
Water temperature	+3° C / +37° F	+32° C / +90° F
Voltage	-10%	+10%
Water inlet pressure	1bar (14 psi)	6bar (84 psi)

► Performances

	Air temperature	Water temperature						
			7° C	45° F	15° C	60° F	21° C	70° F
	10° C	73 kg						
	50° F	161 lbs						
	21° C		72 kg					
	70° F			159 lbs				
	32° C				62 kg			
	90° F					137 lbs		

► Connections

All measures are referred to the rear bottom-left corner (L-H-Ø)

- ① Water in.: 116 mm / 4 9/16" - 285 mm / 11 4/16" - 3/4" ② Water out.: 54 mm / 2 2/16" - 245 mm / 9 10/16" - 24 mm / 15/16"
 ③ Electrical connections: 161 mm / 6 5/16" - 321 mm / 12 10/16"

► Technical information

Production in 24h	72 kg / 159 lbs	Water consumption	A: 3 l/kg - 36 gal/100 lbs
Store capacity, up to	40 kg / 88 lbs	Sizes (L-P-H mm)	738 - 600 - 920
Cooling system	A	(L-P-H in)	29 1/16 - 23 10/16 - 36 4/16
Kind of cube	Q-23g	Sizes with pack (L-P-H mm)	780 - 640 - 1085
Refrigerant	R290	(L-P-H in)	30 11/16 - 25 3/16 - 42 11/16
Standard voltage	220-240 V ~ 50 Hz	Net weight	77 kg / 170 lbs
Average power consumption	620 W	Gross weight	89 kg / 196 lbs
Fuse	10 A	Finish	AISI 304 stainless steel, scotch brite
Electrical consumption	21 kWh/100kg		

All the technical information must be considered at the following conditions:

- Sizes without feet
- Standard Cube (18 g)
- Ambient temperature +21° C
- Water temperature +15° C
- Electrical consumption at +32° C (standard voltage)
- Average power consumption at +43° C (standard voltage)

Models and specifications are subject to change without notice

Rev. 00 - Issued February 2020



www.bremaice.it
info@bremaice.it

Bim + Data
download

