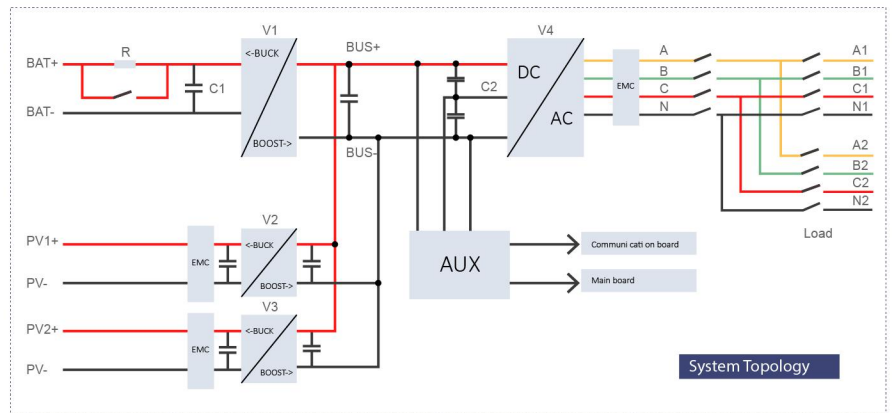


# 6kW/10kW

## Three Phases

### Hybrid Inverter

# SERMA<sup>T</sup>EC



- High efficiency (up to 97.8%)
- Wide PV voltage range, longer uptime, higher PV generation energy
- Larger PV voltage up limit, suitable for latest type module (bi-facial/half-cell)
- Higher DC voltage range, better battery efficiency

- Full integrated high strength aluminum alloy mod, stronger impact resistance
- Most balanced heat control, guarantee the longer lifespan of inner components
- Comprehensive hardware and software protection functions
- IP65, suitable for both indoor and outdoor application

- Multiple working mode settable and customizable (zero export include)
- Free remote monitoring and configuration, build-in WiFi, optional GPRS
- Seamless switching UPS function, larger off-grid output power
- 100% three phase unbalance available

- Less moving parts due to integrated concept, easy for usage
- Touch free operation via APPs
- Compact size and light weight
- Quick and easy remote upgrading and configuration function

## Data Sheet

Product Model	SMT-6K-TL-TH	SMT-10K-TL-TH
<b>PV Input (DC)</b>		
Max. PV power	8400W	14000W
Max. PV voltage	1000Vdc	1000Vdc
Rated PV voltage	720Vdc	720Vdc
Max. PV input current	12.5A / 12.5A	12.5A / 12.5A
MPPT voltage range	200-880Vdc	200-880Vdc
MPPT number	2	2
<b>Battery Side Data</b>		
Battery voltage range	180-800Vdc	180-800Vdc
Rated battery voltage	400Vdc	400Vdc
Max. charge / discharge current	25A / 25A	25A / 25A

Grid AC Data		
Rated AC power	6000W	10000W
Rated grid voltage	230Vac / 400Vac;220Vac / 380Vac;3/N/PE	230Vac / 400Vac;220Vac / 380Vac;3/N/PE
Rated grid frequency	50Hz / 60Hz	50Hz / 60Hz
Rated AC current	9A	14.5A
Max. AC current	10A	16.7A
Power factor	0.8cap...0.8ind	0.8cap...0.8ind
THD	<3%	<3%
Load AC Data (EPS/UPS/Off-grid)		
Rated power	10000W	10000W
Rated AC voltage	400Vdc; 380Vdc; 3/N/PE	400Vdc; 380Vdc; 3/N/PE
Rated frequency	50HZ / 60HZ	50HZ / 60HZ
Rated current	14.5A	14.5A
Maxi. AC current	16.7A	16.7A
Switching Time	10ms	10ms
Peak Power @25 °C	11kW*30min;13kW*5min;15kW*5s	11kW*30min;13kW*5min;15kW*5s
THD (Linear load)	<3%	<3%
Efficiency		
MPPT efficiency	99.9%	99.9%
European efficiency	97%	97%
Max. efficiency	97.6%	97.6%
Charge/Discharge efficiency	97.6% / 96%	97.6% / 96%
Protective Function		
DC reverse-polarity protection	Yes	Yes
Anti-islanding	Yes	Yes
Residual Current Protection	Yes	Yes
AC Short-circuit Protection	Yes	Yes
AC Over Current/Voltage Protection	Yes	Yes
Integrated DC Switch	Yes	Yes
Insulation Monitoring	Yes	Yes
General Data		
Size (width X high X depth)	548*550*188mm	548*550*188mm
Weight	<40kg	<40kg
Standby consumption	<20W	<20W
IP Grade	IP 65	IP 65
Working temperature	-25 °C...+60 °C	-25 °C...+60 °C
Altitude	<2000M	<2000M
Noise emission	<30dB	<30dB
Cooling	Natural cooling	Natural cooling
Communication interface	WIFI、GPRS (optical) 、RS485	WIFI、GPRS (optical) 、RS485
Display	LED	LED

#### Safety

EN 62109-1:2010 / EN 62109-2:2011 / IEC 62109-1(ed.1)IEC 62109-2(ed.1)

#### EMC

EN 61000-6-1:2007 / EN 61000-6-2:2005 / EN 61000-6-3:2007/A1:2011 / EN 61000-6-4:2007/A1:2011

#### Grid Connection Standard

VDE-AR-N 4105:2018 / NRS 097-2-1:2017 / EN 50549-1:2019 / AS/NZS 4777.2:2015 / CEI 0-21:2019

/ PPDS2018 / IEC 61683:1999 / RD 1699:2011/UNE 206006 / IN:2011/UNE 206007-1 / IN:2013

/NTS 2019 (Type A, P.O. 12.2 2018-10) / C10/11:2019-09