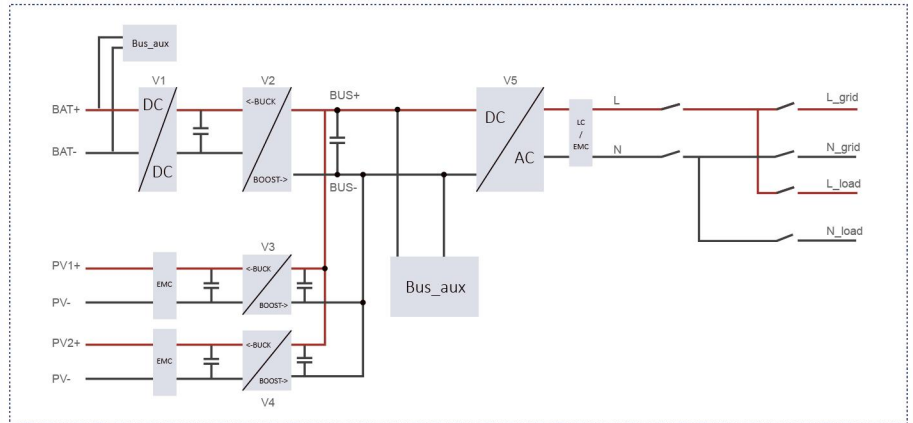


3.6kW/5kW Single Phase Hybrid Inverter



System Topology



- High efficiency (up to 97.6%)
- Wide PV voltage range, longer uptime, higher PV generation energy
- Larger PV voltage up limit, suitable for latest type module (bi-facial/half-cell)
- Larger charge-discharge current, faster charging and discharging speed



- Full integrated high strength aluminum alloy mod, stronger impact resistance
- Most balanced heat control, guarantee the longer lifespan of inner components
- Comprehensive hardware and software protection functions
- IP65, suitable for both indoor and outdoor application



- Multiple working mode settable and customizable (zero export include)
- Free remote monitoring and configuration, build-in WiFi, optional GPRS
- Seamless switching UPS function, larger off-grid output power
- Large MPPT power range, support full unbalance between dual MPPT



- Less moving parts due to integrated concept, easy for usage
- Touch free operation via APPs
- Compact size and light weight
- Quick and easy remote upgrading and configuration function

Data Sheet

Product Model	SMT-3.6K-TL-LV	SMT-5K-TL-LV
PV Input (DC)		
Max. PV power	5000W	7000W
Max. PV voltage	580Vdc	580Vdc
Rated PV voltage	360Vdc	360Vdc
Max. PV input current	12.5A / 12.5A	12.5A / 12.5A
MPPT voltage range	125-550Vdc	125-550Vdc
MPPT number	2	2
Battery Side Data		
Battery voltage range	40-58Vdc	40-58Vdc
Rated battery voltage	48Vdc	48Vdc
Max. charge / discharge current	70A / 100A	70A / 100A

Grid AC Data		
Rated AC power	3600W	5000W
Rated grid voltage	230Vac	230Vac
Rated grid frequency	50Hz / 60Hz	50Hz / 60Hz
Rated AC current	16.4A	21.7A
Max. AC current	18A	22.8A
Power factor	0.8cap...0.8ind	0.8cap...0.8ind
THD	<3%	<3%
Load AC Data (EPS/UPS/Off-grid)		
Rated power	5000W	5000W
Rated AC voltage	230Vdc	230Vdc
Rated frequency	50HZ / 60HZ	50HZ / 60HZ
Rated current	21.7A	21.7A
Max. AC current	22.8A	22.8A
Switching Time	10ms	10ms
THD (Linear load)	<3%	<3%
Efficiency		
MPPT efficiency	99.9%	99.9%
European efficiency	97%	97%
Max. efficiency	97.6%	97.6%
Charge/Discharge efficiency	95% / 94%	95% / 94%
Protective Function		
DC reverse-polarity protection	Yes	Yes
Anti-islanding	Yes	Yes
Residual Current Protection	Yes	Yes
AC Short-circuit Protection	Yes	Yes
AC Over Current/Voltage Protection	Yes	Yes
Integrated DC Switch	Yes	Yes
Insulation Monitoring	Yes	Yes
General Data		
Dimension (width X high X depth)	495*516*152mm	495*516*152mm
Weight	<25kg	<25kg
Standby consumption	<20W	<20W
IP Grade	IP 65	IP 65
Working temperature	-25℃...+60℃	-25℃...+60℃
Altitude	<2000M	<2000M
Noise emission	<30dB	<30dB
Cooling	Natural cooling	Natural cooling
Communication interface	WIFI、GPRS (optical) 、RS485。	WIFI、GPRS (optical) 、RS485。
Display	LED	LED

Safety

EMC

EN 62109-1:2010 / EN 62109-2:2011 / IEC 62109-1(ed.1)IEC 62109-2(ed.1)

EN 61000-6-1:2007 / EN 61000-6-2:2005 / EN 61000-6-3:2007/A1:2011 / EN 61000-6-4:2007/A1:2011

Grid Connection Standard

VDE-AR-N 4105:2018 / NRS 097-2-1:2017 / EN 50549-1:2019 / AS/NZS 4777.2:2015 / CEI 0-21:2019

/ PPDS2018 / IEC 61683:1999 / RD 1699:2011/UNE 206006 / IN:2011/UNE 206007-1 / IN:2013

/NTS 2019 (Type A, P.O. 12.2 2018-10) / C10/11:2019-09