

**LIQUID FILLED THERMOMETERS - CL 2.0**  
**PANEL MOUNT with CAPILLARY TUBE Ø 50**

**14.12**

CONSTRUCTIVE PROPERTIES

	STANDARD	OPTIONAL
Mounting Type	Back Connection	—
Scale Unit	°C	°F
Scale Range	-40 / +40	0 / +120
Case	Plastic	—
Window	Acrylic	
Pointer	Plastic	
Dial	Plastic	—
Temperature Element	Bulb Ø 6 mm.	
Capillary Tube	1 mt. PVC Coated Copper Tube ± 5 %	2 mt. ... 10 mt.



Back Connection

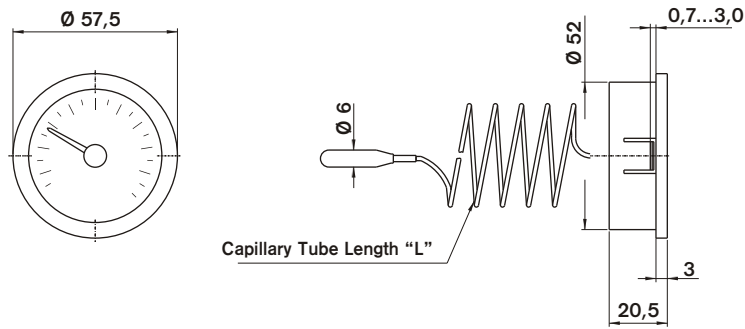
USAGE PROPERTIES

Max. Pressure	—
Accuracy Class	CL 2.0
Conformity	EN 13190
Protection Rate	IP 41
Storage Temperature	- 20 ... + 60 °C

**Applications :** Electrical Water Heaters, Central Heating Systems, etc.

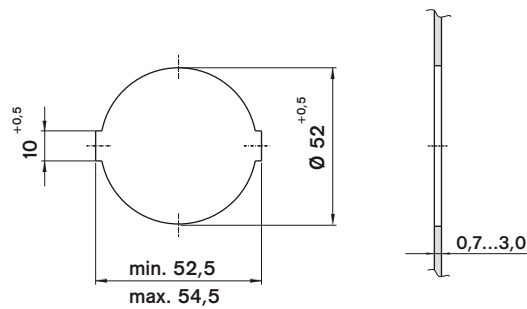
(\*) Scale units different than listed, please contact us.

**LIQUID FILLED THERMOMETERS - CL 2.0**  
**PANEL MOUNT with CAPILLARY TUBE Ø 50** **14.12**



Back Connection (Black Dial)	
Capillary Tube	°C
	0 / +120
L = 1 000	050 502 1205
L = 1 500	050 502 1305
L = 3 000	050 502 1505

Back Connection (White Dial)		
Capillary Tube	°C	
	-40 / +40	0 / +120
L = 1 000	050 502 1202	050 502 1205 13
L = 1 500	050 502 1302	050 502 1305 13
L = 3 000	050 502 1502	050 502 1505 13



DIMENSIONS FOR MOUNTING