

## **Operator's manual**

Руководство по эксплуатации    Посібник користувача

**EAC**

**TF338**

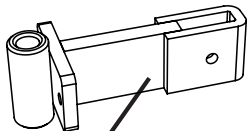
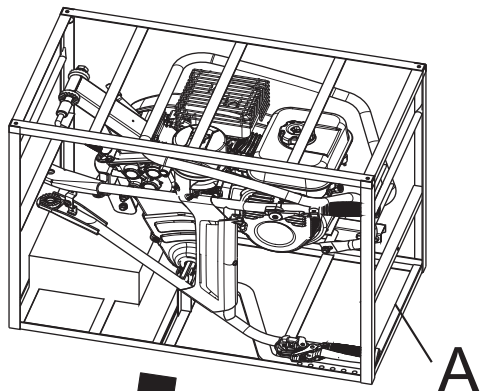
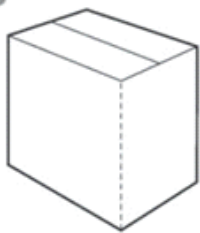


Please read the operator's manual carefully and make sure you understand the instructions before using the machine.

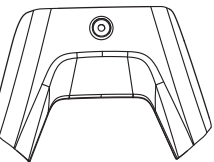
Прежде чем приступить к работе с машиной внимательно прочитайте инструкцию и убедитесь, что Вам все понятно.

Перед користуванням інструментом уважно прочитайте посібник користувача та переконайтеся, що Ви зрозуміли всі вказівки.

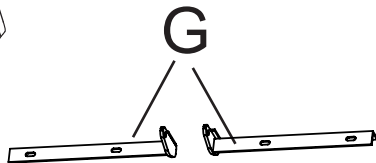
**GB RU UA**



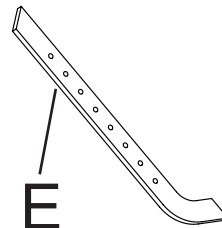
K



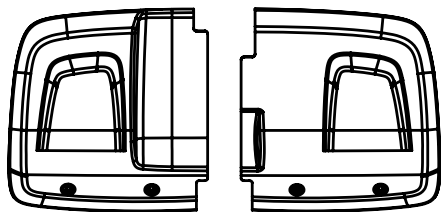
D



G



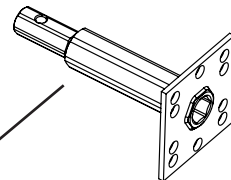
E



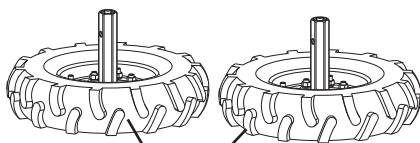
F



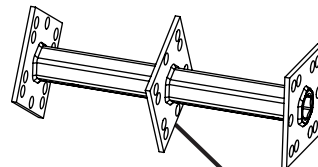
H



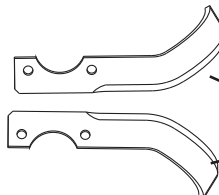
B



J



C



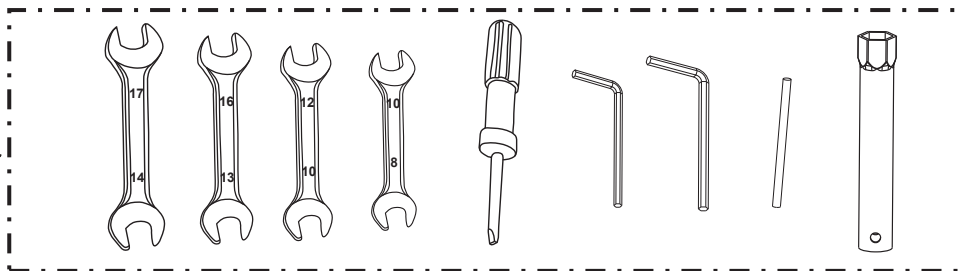
I

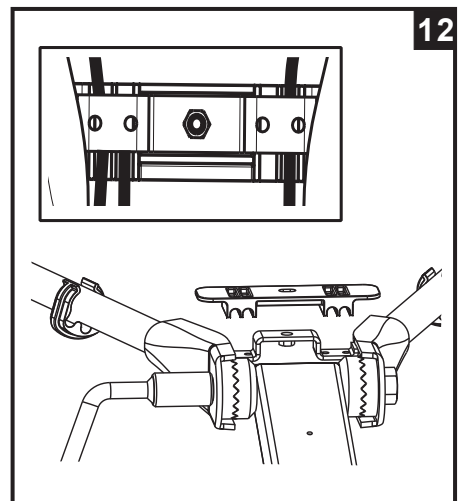
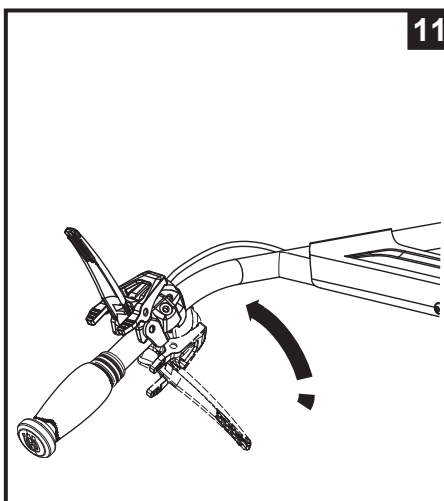
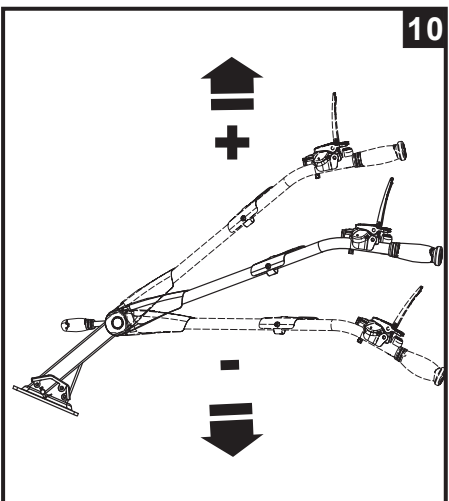
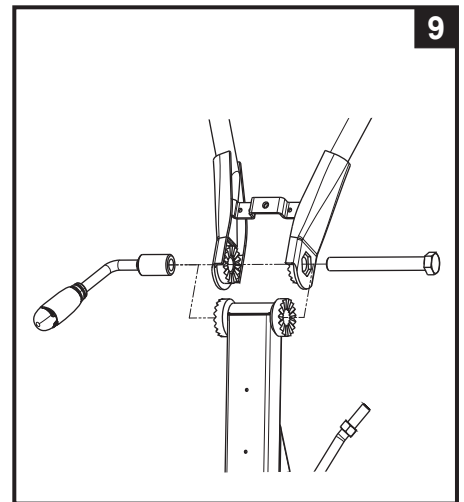
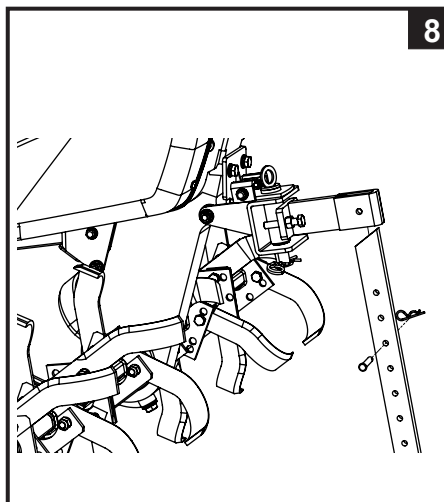
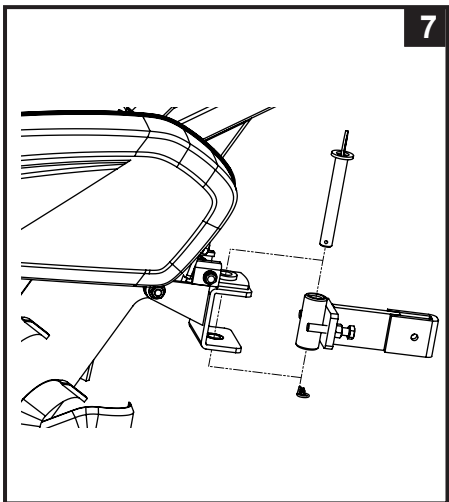
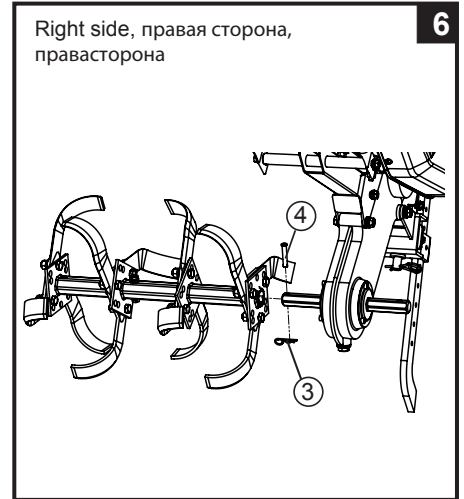
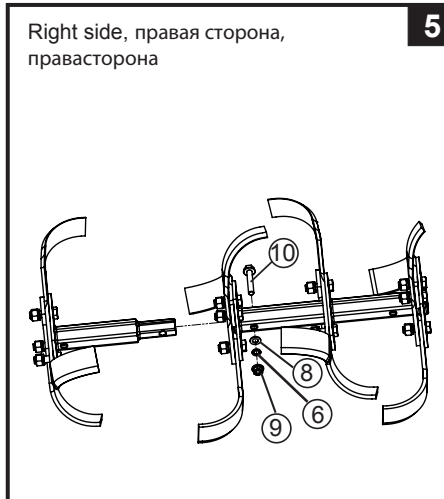
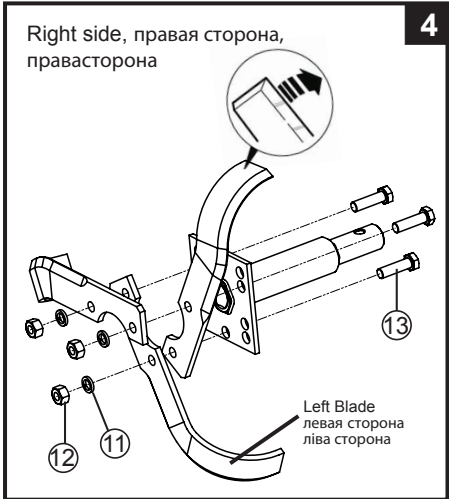
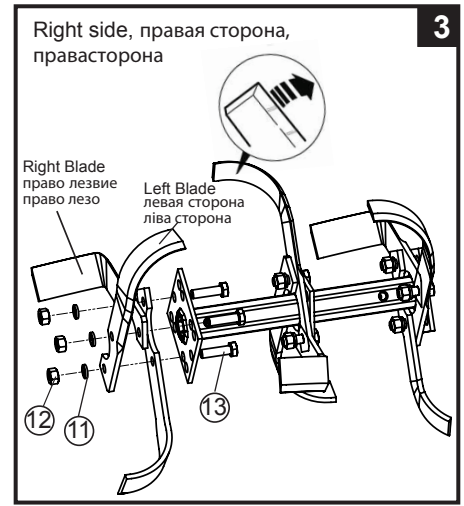
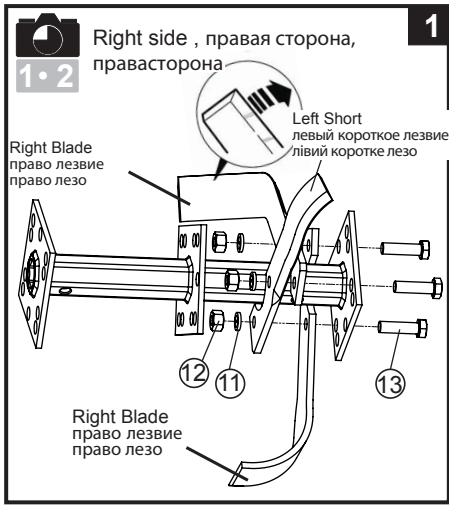
M

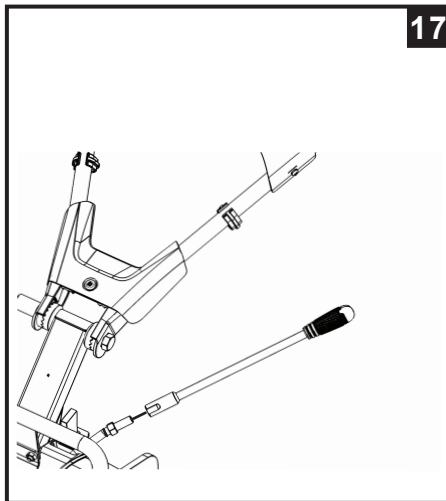
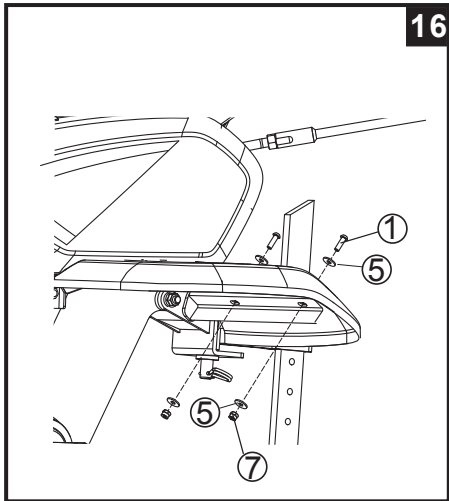
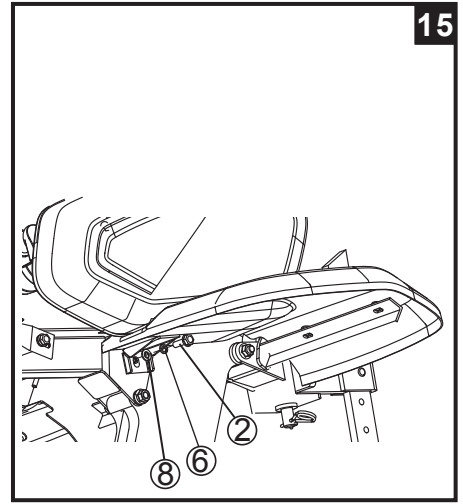
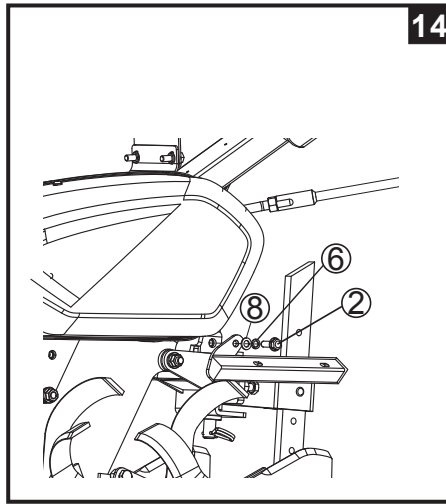
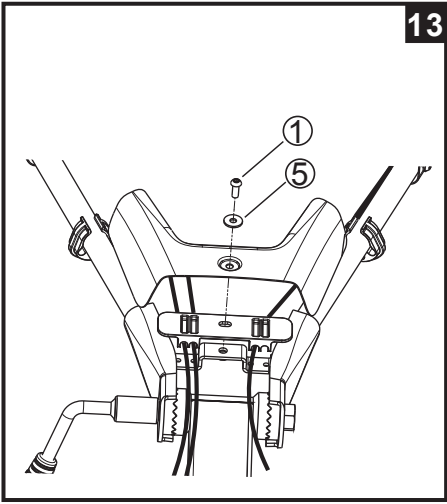
N

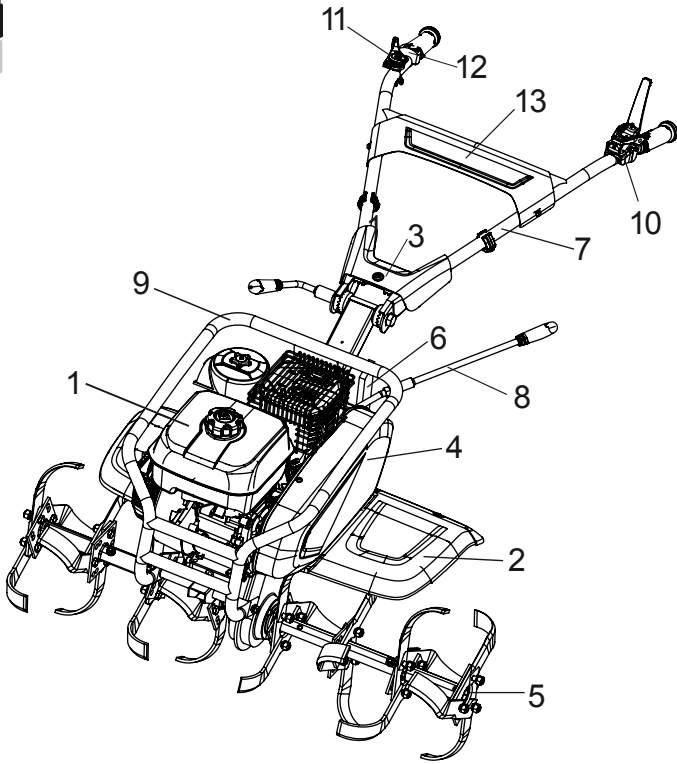
	① X 5		⑤ X 9	For tines only, только для фрез, тільки для ножів	
	② X 4		⑥ X 4		⑥ X 2
	③ X 4		⑦ X 4		⑧ X 2
	④ X 4		⑧ X 4		⑨ X 2
					⑩ X 2
					⑬ X 24
					⑫ X 24
					⑪ X 24

L





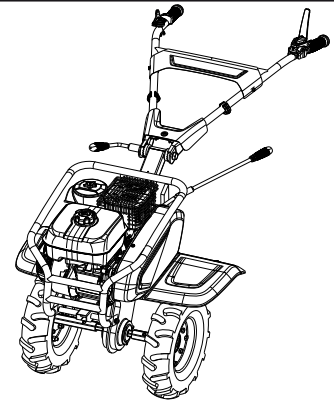
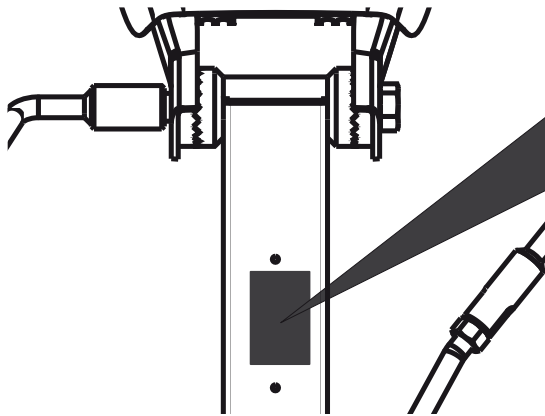


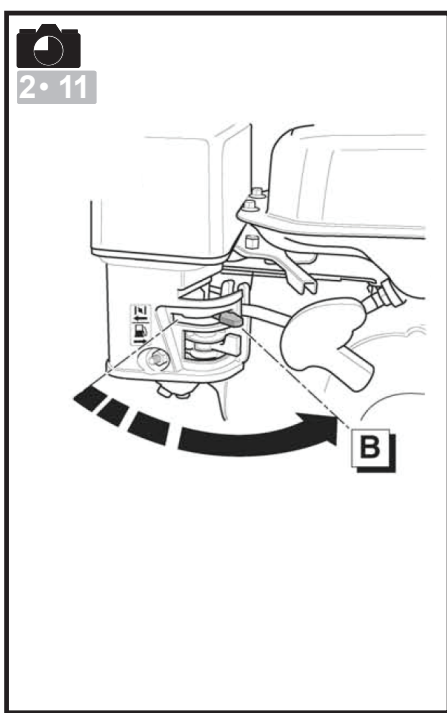
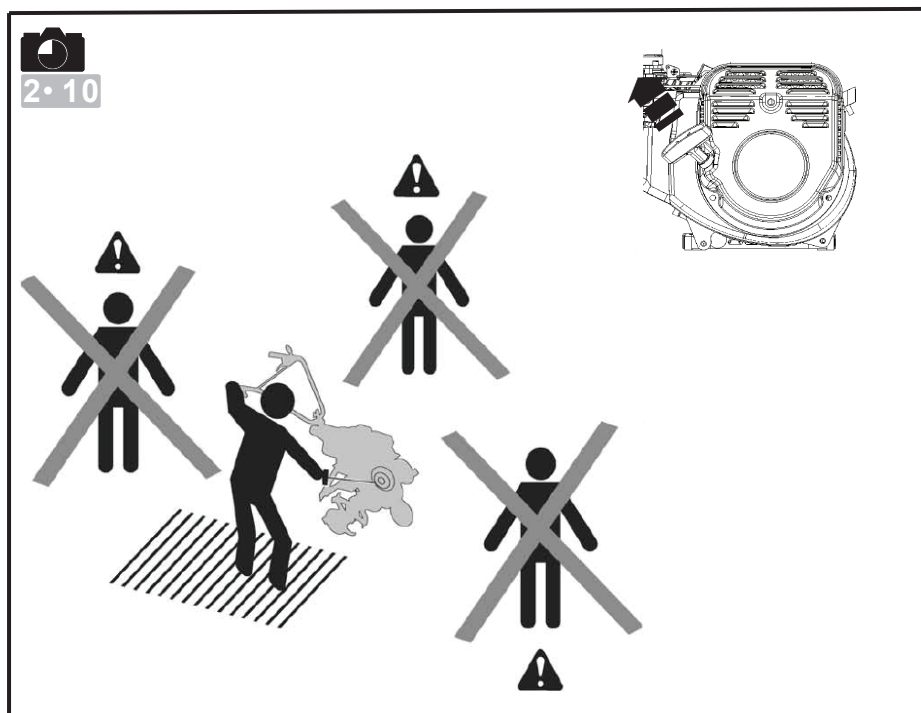
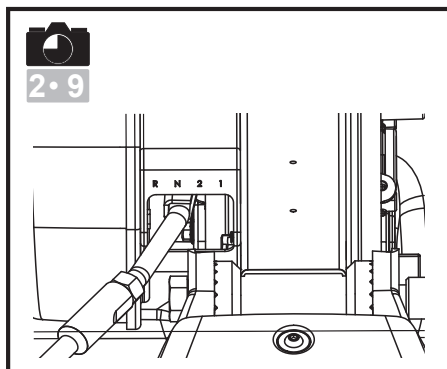
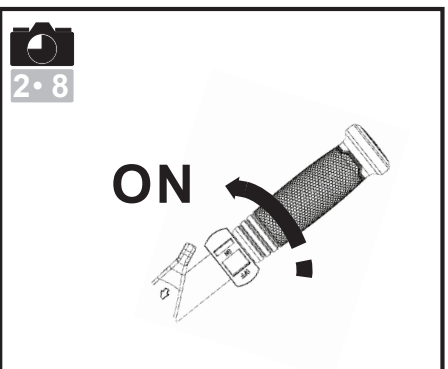
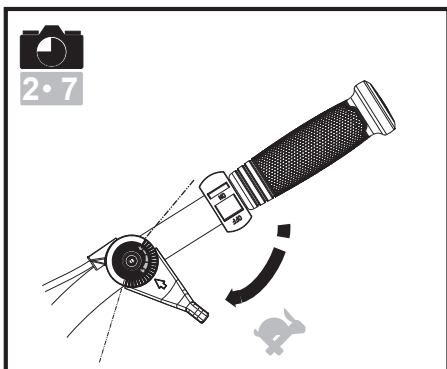
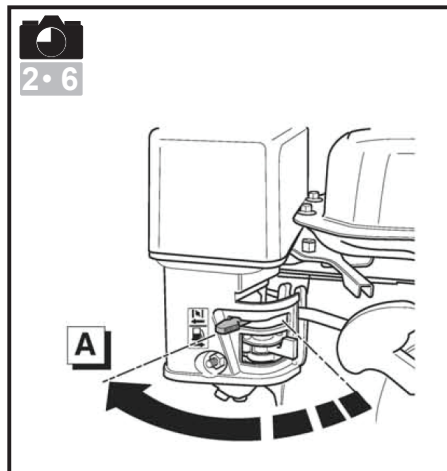
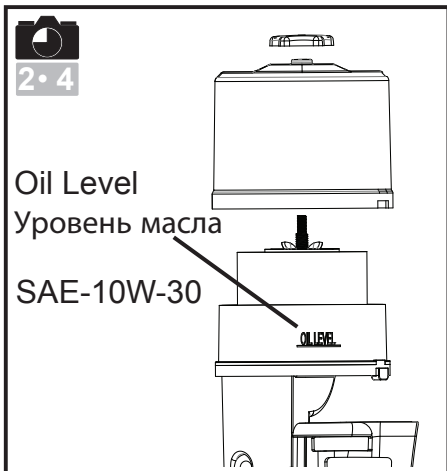
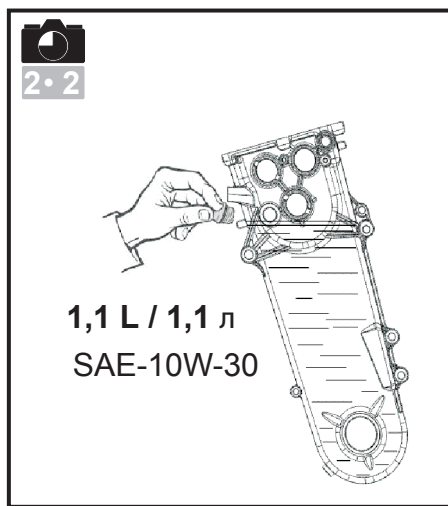
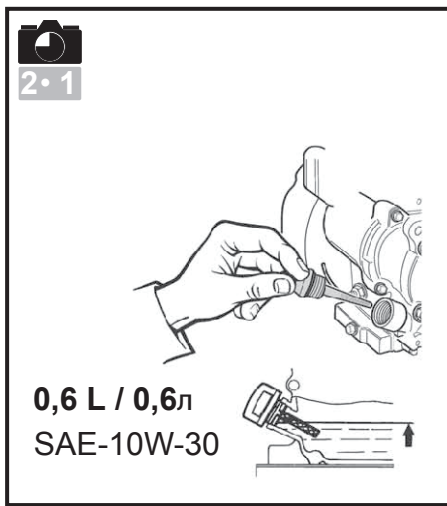


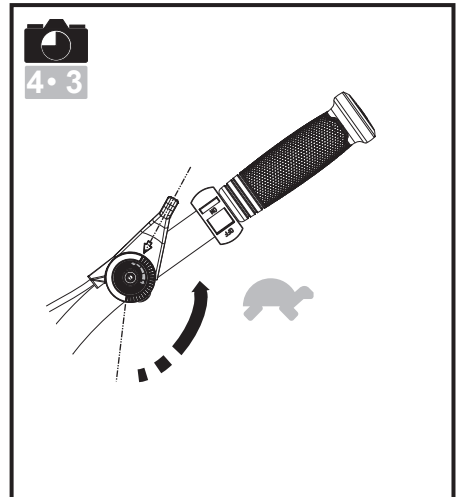
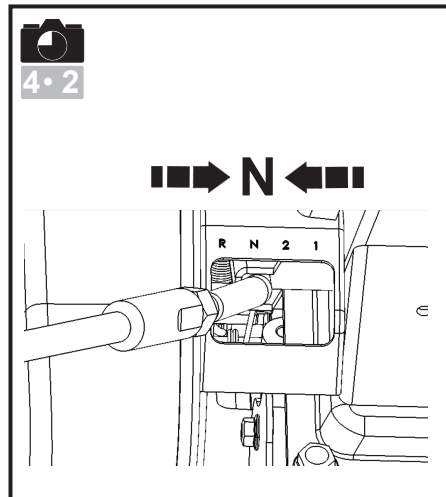
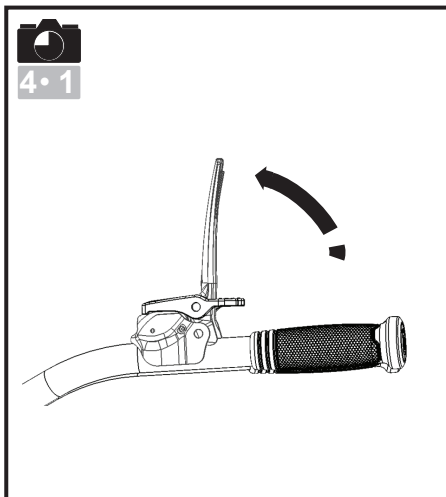
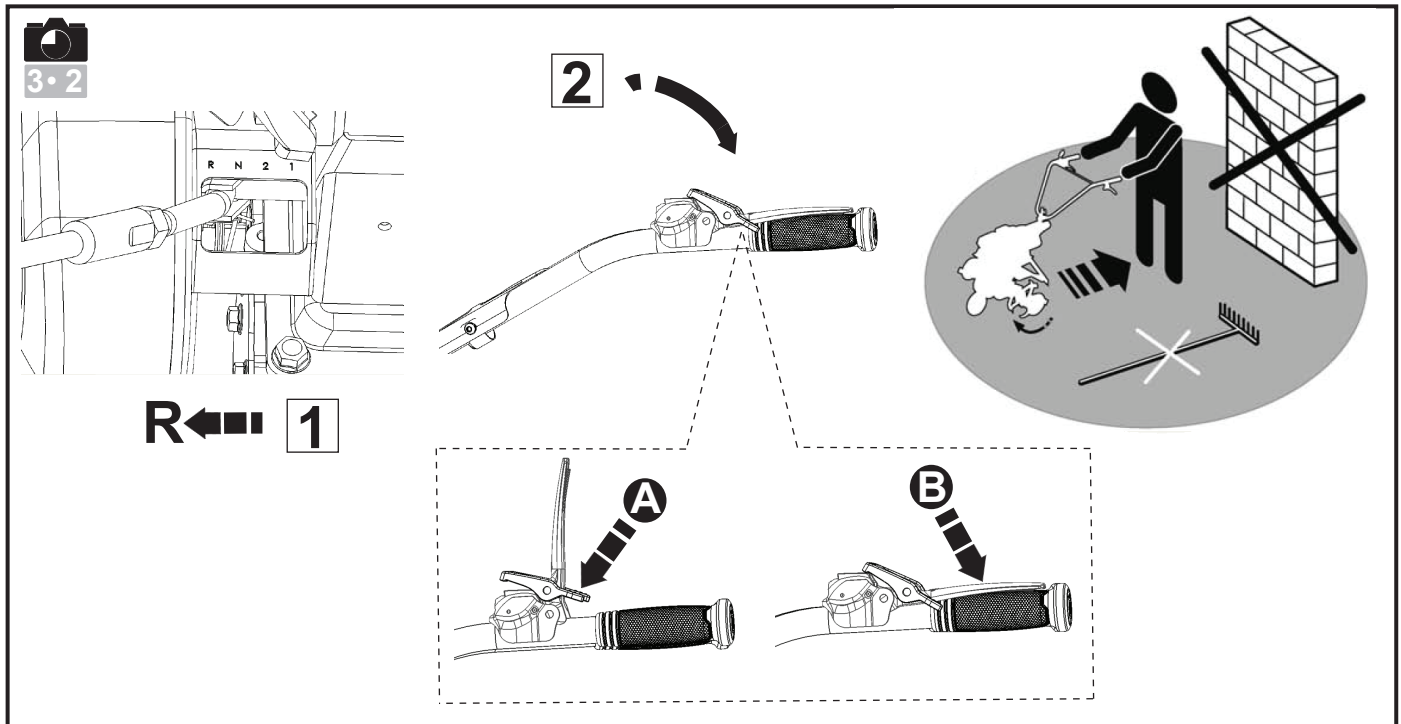
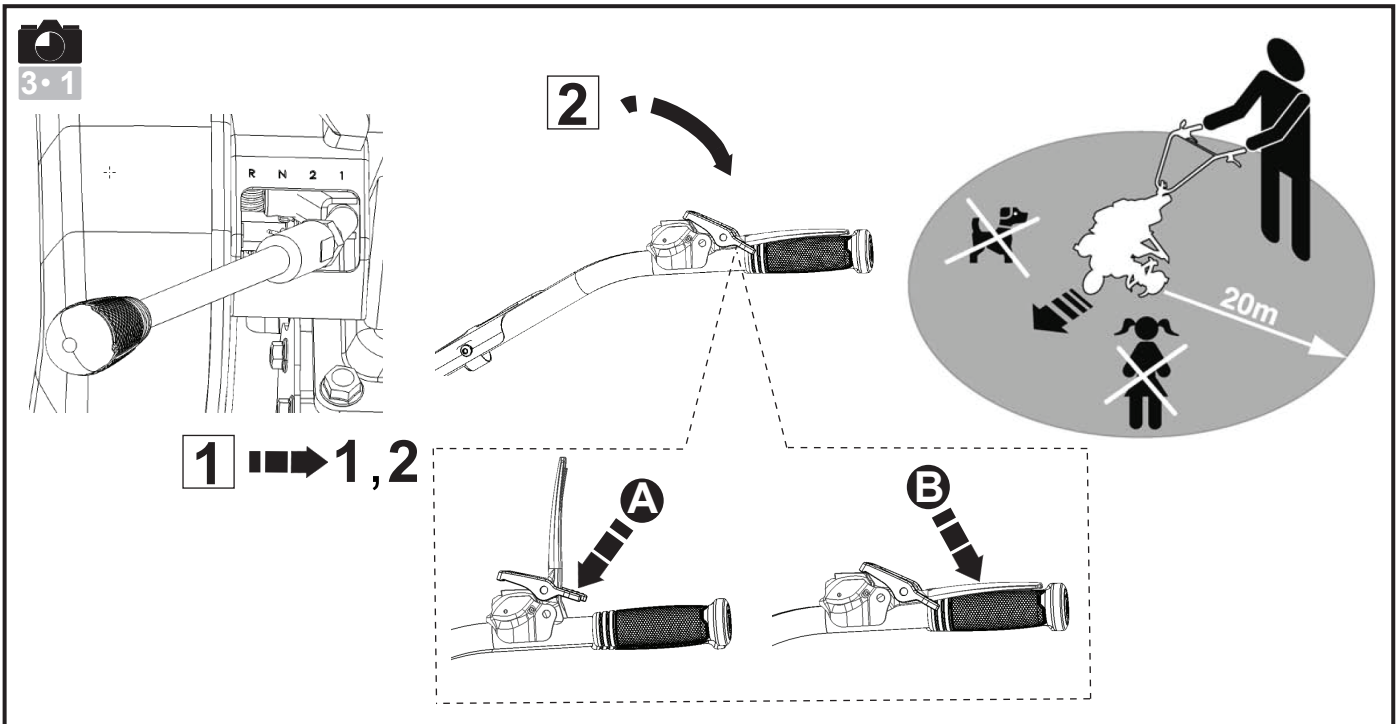
**Husqvarna**® Prod. year

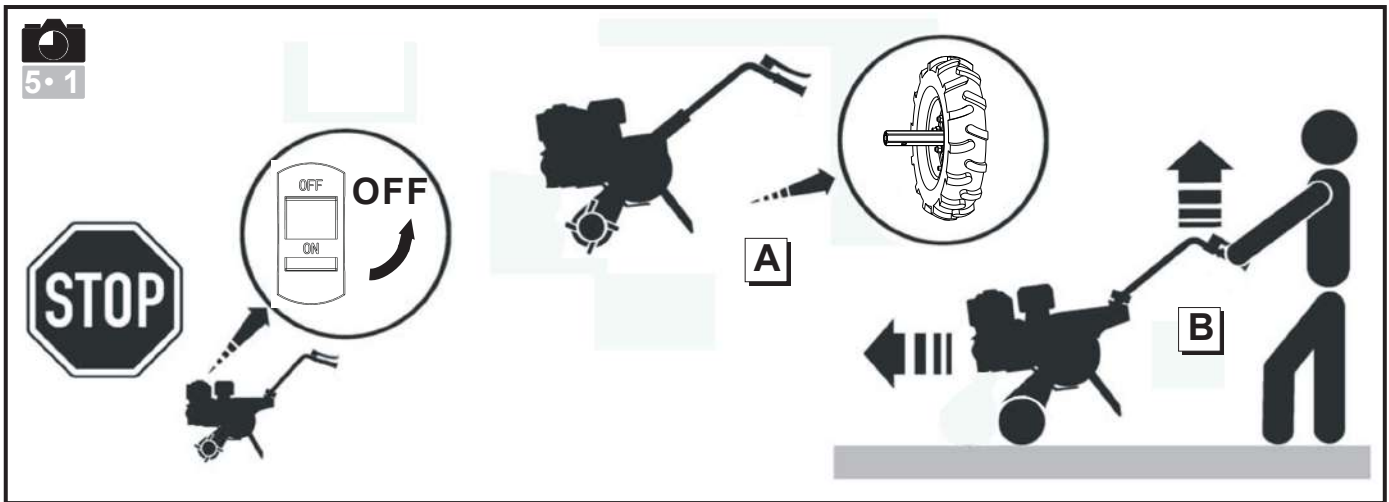
Serial No	<input type="text"/>
Article no.	<input type="text"/>
Model	<input type="text"/>
Tilling scope	<input type="text"/>
Tilling depth	<input type="text"/>
Gear shifting	<input type="text"/>
Engine displacement	<input type="text"/>
Engine oil quality	<input type="text"/>
Engine oil capacity	<input type="text"/>
Gear box oil quality	<input type="text"/>
Gear box oil capacity	<input type="text"/>
Nominal power	<input type="text"/>
Net weight	<input type="text"/>
Fuel (octan/cetan)	<input type="text"/>

HUSQVARNA AB  
SE-561 82 HUSKVARNA  
SWEDEN











---

# CONTENTS

---

## Contents

<b>CONTENTS</b>	
Contents .....	2
<b>KEY TO SYMBOLS</b>	
Symbols .....	3
Explanation of warning levels .....	3
<b>SAFETY INSTRUCTIONS</b>	
General .....	4
Preparation .....	4
Use .....	4
Maintenance .....	5
Transport and storage .....	5
Fueling .....	5
<b>ASSEMBLING AND ADJUSTMENTS</b>	
Unpacking .....	6
Assembly .....	6
Description of the components .....	6
Type plate .....	6
Transport wheel .....	6
<b>STARTING AND STOPPING</b>	
Before starting .....	7
Start the machine. ....	7
Use .....	7
Forwards .....	7
Reverse .....	7
Stopping .....	7
Moving the machine .....	7
<b>MAINTENANCE AND SERVICE</b>	
Maintenance schedule .....	8
General .....	8
<b>TECHNICAL DATA</b>	
Technical data .....	9
EC Declaration of Conformity .....	9

# KEY TO SYMBOLS

## Symbols

These symbols are on the machine and in the instructions.

**WARNING!** Careless or incorrect use can result in serious or fatal injury to the operator or others.



Please read the operator's manual carefully and make sure you understand the instructions before using the machine.

Use a helmet with hearing protector



This product is in accordance with applicable EC directives.



Reverse



Neutral



Fast forward



Slow forward



Fast



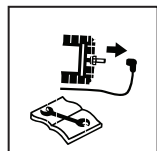
Slow



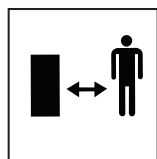
Warning: rotating parts. Keep hands and feet clear.



The ignition lead should always be removed from the spark plug before repair, cleaning or maintenance work.



Keep your distance!



## Explanation of warning levels

The warnings are graded in three levels.

### WARNING!



**WARNING!** Used if there is a risk of serious injury or death for the operator or damage to the surroundings if the instructions in the manual are not followed.

### IMPORTANT!

**IMPORTANT!** Used if there is a risk of injury to the operator or damage to the surroundings if the instructions in the manual are not followed.

### CAUTION!

**CAUTION!** Used if there is a risk of damage to materials or the machine if the instructions in the manual are not followed.

# SAFETY INSTRUCTIONS

## General

- These instructions are for your safety. Read them carefully.
- Read all the instructions in this operator's manual and on the machine before you start it. Ensure you understand them and then observe them.
- If you have any problems or questions about the tiller, please contact your Husqvarna dealer for more information.



**WARNING! Only use the machine for the purpose it is designed for, tilling the ground. Any other use may be dangerous or cause damage to the machine.**

- Learn how to use the machine and its controls safely and learn to how to stop quickly. Also learn to recognize the safety decals.
- The operator is responsible for any unsafe situations or risks that people and property are exposed to.
- Never start to work with the machine before the working area is clear and you have a firm foothold. Look out for any obstacles with unexpected movement. Take great care when working on sloping ground.
- Only allow the machine to be used by adults who are familiar with its use.
- Never allow children or other persons not trained in the use of the machine to use or service it. Local laws may regulate the age of the user.
- Keep unauthorised persons at a distance. Children, animals, onlookers and helpers should be kept outside the safety zone of 20 m. Stop the machine immediately if anyone approaches.
- Never use the machine if you are tired, if you have consumed alcohol, if you are taking other drugs or medication that can affect your vision, judgement or co-ordination.
- Pay particular attention on hard ground.
- The machine has the tendency to be much less stable on cultivated ground.



**WARNING! This machine produces an electromagnetic field during operation. This field may under some circumstances interfere with active or passive medical implants. To reduce the risk of serious or fatal injury, we recommend persons with medical implants to consult their physician and the medical implant manufacturer before operating this machine.**

- Never use the machine when barefoot. Always wear protective shoes or protective boots, preferably with steel toes. Never wear loose-fitting clothing, jewellery or similar that can get caught in moving parts. Use hearing protection to minimise the risk of hearing impairment.

## Preparation

- Inspect the working area. Remove all loose objects, such as stones, broken glass, nails, steel wire, string, etc. that could be projected by the machine.
- Check the entire machine before starting. Replace worn or damaged parts. Check that there are no fuel leaks and that all guards and covers are complete and fastened securely. Check all nuts and screws.
- Check that the electrical wires are intact and in good condition.

## Use

- Never use the machine itself to transport people.
- Compliance with and strict adherence to the conditions of operation, service and repair as specified by the manufacturer also constitute essential elements of the intended use.
- Stop the engine when the machine is not in use.
- Walk with the machine, do not run.
- Pay close attention when pulling the machine towards you or reversing the direction of rotation.
- Keep a safe distance from the rotating blades, set by the length of the steering column. Keep your hands and feet away from the rotating blades.
- The engine and the exhaust system become very hot during operation. Risk of burn injuries if touched.
- Only use the machine in daylight or in other well-lit conditions.
- Do not use the machine on ground that slopes more than 20°.
- Work across slopes, not up or down.



**WARNING! Under no circumstances should you modify the original design of the machine without approval from the manufacturer. Always use original spare parts. Unauthorized modifications and/or accessories may lead to serious injury or death to the user or others.**

**The warranty is not valid if non genuine parts are used.**

Stop the engine immediately if the following occurs:

- Excessive vibration and / or noise.
- Mechanical jam preventing engine from turning.
- Difficulties to engage or disengage the clutch.
- A collision with a foreign object.
- Deterioration of the engine stop cable.

If the engine halt cable is severed, use the starter control to stop the engine. For more information see section "Start the engine"

Allow the machine to cool down. Disconnect the HT lead from the spark plug. Check that the machine is not damaged. If the machine is damaged, hand it in to an authorized service workshop for repair.

# SAFETY INSTRUCTIONS

## Maintenance

- Always stop the engine before repair, cleaning, maintenance work or when changing the tools on the machine.
- Regular maintenance is essential for safety and to maintain the levels of performance.
- Wear heavy-duty gloves when changing the tools on the machine.
- Replace the rotating blade in complete sets to keep them balanced. Always use genuine parts.
- Check that nuts and screws are tight.
- Never use a machine that has a faulty muffler. Contact an authorised service workshop.

**IMPORTANT!** For your own safety, do not alter the characteristics of the machine. Do not change the engine speed settings and do not run the engine at excess speed.

## Transport and storage

- Allow the machine to cool before putting it in storage.
- Store the machine and fuel in such a way that there is no risk that leaking fuel or fumes can cause any damage.
- The machine should always be stored in a dry place away from open fire, sparks or intense heat.
- Fuel and fuel vapour are highly flammable. Take care when handling fuel and oil. Bear in mind the risk of fire, explosion and inhaling fumes.
- When storing and transporting fuel always use approved containers intended for this purpose.
- Do not try to lift the machine. Use a method of handling adapted to the weight of the machine and to the situation.
- Take extra care when loading it onto or off a vehicle or trailer. Use a suitable ramp.
- Use an approved trailer to transport the machine. Secure the machine with approved tightening straps. Ensure that no part of the machine are squashed or damaged by the tightening straps. It is a good idea to cover the machine.
- For more information about moving of the machine during work, see section "Moving".

## Fueling

- Always stop the engine and let it cool for a few minutes before refuelling.
- Refuel in a well ventilated area with the engine turned off.



**WARNING! Petrol is highly inflammable. Exercise care and refuel outdoors. Fire, open flame and smoking are prohibited.**

**Clean the area around the fuel cap. Tighten the fuel cap carefully after refuelling. If the cap is not properly tightened the cap might vibrate loose and fuel may escape from the fuel tank creating a fire hazard. Move the machine at least 3 m from the refuelling point before starting it.**

- Bear in mind the risk of fire, explosion and inhaling fumes. Do not fill so that the fuel runs over. Wipe up all spillage on the ground and machine. If you spill fuel on yourself or your clothes. Change your clothes. Move the machine at least 3 metres away from the refuelling area before starting.
- The engine emits carbon monoxide, which is a colourless, poisonous gas. Do not use the machine in enclosed spaces.

# ASSEMBLING AND ADJUSTMENTS

## Unpacking

### Illustration: 1 • 1

**IMPORTANT!** Make sure to not cut the cables/wires or scratch the machine when cutting the edges of the case.

References	Content of the case
A	Engine parts
B	Holder comp
C	Holder main comp
D	Lower tidy cover
E	Drag bar
F	Tine cover
G	Tine cover bracket
H	Lever shifting
I	Blades
J	Wheel
K	Connector joint
L	Tool bag
M	Hardware bag tines only
N	Hardware bag

## Assembly

### Illustration: 1 • 2



**WARNING!** Inappropriate assembly of this rotary tiller could cause severe injuries. Ensure that you follow all the instructions carefully.

- Fitting the tine blades Illustrations only shows assembly of the tine blades on the right side. Make sure that the sharp edges face one side on both right and left side tines. There is one piece of short blade on each side that need bending to the gearbox when assembling. (Figure 1 - 6)
- Fitting the connecting joint. (Figure 7)
- Fitting the drag bar. (Figure 8)
- Fitting the handle bar. (Figure 9)
- Adjust the height of the handle and tighten the knobs securely. (Figure 10)
- Fitting the clutch control. (Figure 11)
  - Turn to proper side and fasten the bolt.
- Fitting the lower tidy cover. (Figure 12 - 13)
  - Tidy the cables.
  - Fit the rubber holder properly.
  - Fit the cover and tighten the screws.

- Fitting the tine cover. (Figure 14 - 16)
  - Do not tighten the bolt immediately after installed.
  - Install all 4 bolts and nuts first, then tighten one by one.
- Fitting the shifting lever. (Figure 17)

Any dismantling operation must only be performed by an authorized service workshop.

**CAUTION!** After assembling the machine completely, tighten the bolts and screws with moderation. Do not overtighten.

## Description of the components

### Illustration: 1 • 3

- 1 Engine
- 2 Tine cover
- 3 Lower tidy cover
- 4 Belt cover
- 5 Blades
- 6 Drag bar
- 7 Handle
- 8 Lever shifting
- 9 Bumper
- 10 Clutch control
- 11 Throttle control
- 12 ON/OFF switch
- 13 Upper tidy cover

## Type plate

### Illustration: 1 • 4

- 1 Serial number
- 2 Article number
- 3 Tilling scope
- 4 Gear shifting
- 5 Engine displacement
- 6 Engine oil Quality (viscosity):
- 7 Engine oil capacity
- 8 Gear box oil quality
- 9 Gear box oil capacity
- 10 Nominal power
- 11 Net weight
- 12 Fuel

## Transport wheel

### Illustration: 1 • 5

Change the tines to wheels when transporting.

For more information about moving of the machine, see section "Moving".

# STARTING AND STOPPING

## Before starting

- Check the engine oil level and top up if necessary. Illustration: 2 • 1
- Check the oil level of the gear box, and top up if necessary. Illustration: 2 • 2
- Check the fuel level. Fill if necessary. Illustration: 2 • 3
  - Recommended to use: Octane Value over 90.
- Oiling the air filter Illustration: 2 • 4

## Start the machine.

- Open the fuel tap. Illustration: 2 • 5
- Set the choke control in the A position. Illustration: 2 • 6
- Throttle control Illustration: 2 • 7
  - Push the throttle control to full throttle position.



- Set the on/off switch to ON to attain start throttle setting. Illustration: 2 • 8
- Shifting lever Illustration: 2 • 9
  - Put the gear shift lever in the "N" position (neutral).

# N

- Pull the recoil start handle Illustration: 2 • 10



**WARNING! When the machine starts, remain within the safety zone.**

- Set the choke control in the B position. Illustration: 2 • 11

## Use



**WARNING! Keep unauthorised persons at a distance. Children, animals, onlookers and helpers should be kept outside the safety zone of 20 m. Stop the machine immediately if anyone approaches.**

## Forwards

**Illustration: 3 • 1**

- Use the shifting lever to control the drive speed.

Slow

# 1

Fast

# 2

- Press down the trigger lock on the handle (A) and push the clutch lever in towards the handle (B).
- The cultivator starts to rotate when you push the clutch lever down towards the handle and stops rotating when you release the clutch lever.

## Reverse

**Illustration: 3 • 2**

**IMPORTANT!** The cultivator starts to rotate when you push the clutch down towards the handle and stops rotating when you release the clutch. It is important to release the clutch lever before using reverse.

- Slide the control to "R" position.

# R



**WARNING! The use of reverse is dangerous! Ensure that there are no obstacles behind you and reduce the engine revs before engaging the clutch.**

- Press down the trigger lock on the handle (A) and push the clutch lever in towards the handle (B).

## Stopping

- Release the clutch lever. Illustration: 4 • 1
- Put the gear shift lever in the "N" position (neutral). Illustration: 4 • 2

# N

- Move the throttle control to the MIN. position. Illustration: 4 • 3



- Use the stop switch to switch off the engine. Illustration: 4 • 4
- Close the fuel tap. Illustration: 4 • 5

## Moving the machine

**Illustration: 5 • 1**

- The engine must be switched off before moving. See instructions under section Stopping.
- Change the blades to wheels when transporting. (**Figure A**)
- Lift the drag bar from the ground using the handlebar and then advance forwards. (**Figure B**)

# MAINTENANCE AND SERVICE

## Maintenance schedule

The following is a list of the maintenance steps that must be performed on the machine.

Maintenance	Illustration	Daily maintenance before starting	Maintenance interval in hours			
			20 hours or every month	50 hours or every 3 months	100 hours or every 6 months	300 hours or once a year
Clean the machine.		X				
Check that nuts and screws are tight and without damage.		X				
Clean the air filter. Replace if necessary.	4 • 6	X		X*		X**
Check the engine's oil level	2 • 1, 2 • 4	X				
Check the oil level of the gear box, and top up if necessary.	2 • 2	X				
Check for any leakage of fuel, engine oil and lubrication.		X				
Check the fuel level. Fill if necessary.	2 • 3	X				
If the machine starts to vibrate abnormally, immediately check.		X				
Change the oil and lubrication of the engine and the gearbox.			X		X	
Clean the fuel filter and its surrounding components.					X	X**
Clean the spark plug and the spark plug cap.					X	
Replace the spark plug.						X
Check/Adjust the play in the engine valves						X**
Clean the combustion chamber						X**
Check the fuel circuit						X**

\* Clean more often in condition of use where the air is dusty or laden with aerial debris.

\*\* Not essential except in the event of performance problems. Contact an authorised service workshop.



**WARNING!** Remove the foam plastic filter. Wash the filter well in tepid soapy water. After cleaning, rinse the filter well in clean water. Squeeze out and allow the filter to dry. **NOTE!** High pressure compressed air can damage the foam. Do not use compressed air or solvent with petroleum to clean the air filter.

## General



**WARNING!** Before carrying out repair work, cleaning or inspection, the machine must be in standstill and turned off.

**Never make adjustments with the machine running.**

Always use genuine parts.

- Never wear jewellery, watches or similar when cleaning, carrying out repair work on or inspecting the machine.

Do not modify safety equipment. Check regularly to be sure it works properly.

Always exercise care and use your common sense. Avoid all situations which you consider to be beyond your capability. If you still feel uncertain about operating procedures after reading these instructions, you should consult an expert before continuing. Contact an authorised service workshop.

# TECHNICAL DATA

## Technical data

	TF338
Tilling width, mm	950
Tilling depth, mm	150 - 300
Engine	WM170FB/P-2
Fuel	Petrol
Fuel tank capacity, liters	4,8
Oil tank capacity, litre	0,6
Cylinder displacement, cm <sup>3</sup>	212
Max power hp (kW) @ rpm	4,9 (3,6) @3100
Gears	R, N, 2, 1
Oil capacity gearbox, liters	1,1
Gross weight, kg	106
Net weight, kg	93
Packaging size, mm	860x490x860
Certification	CE, EAC

**IMPORTANT!** When the service life of this product has been served and it is no longer used it should be returned to the dealer or to an applicable station for recycling.

**IMPORTANT!** We reserve the right to change specifications and designs without prior notice so as to implement improvements. Note that no legal claims are valid on the basis of information in this manual. Use only genuine parts for repairs. The warranty is not valid if non genuine parts are used.

## EC Declaration of Conformity (Applies to Europe only)

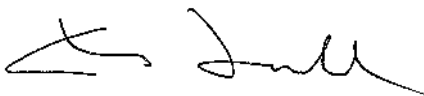
Husqvarna AB, SE-561 82 Huskvarna, Sweden, tel: +46-36-146500, declares under sole responsibility that the Tillers Husqvarna TF 338 from serial number 1447000139, and onwards (the subsequent serial number is clearly stated in plain text on the type plate), are in conformity with the requirements of the COUNCIL'S DIRECTIVES:

of May 17, 2006 "relating to machinery" **2006/42/EC**.

of December 15, 2004 "relating to electromagnetic compatibility" **2004/108/EC**.

The following harmonised standards have been applied: **EN 709:1997, A4:2009**

Huskvarna December 10, 2014



Claes Losdal, Development Manager/Garden Products  
(Authorized representative for Husqvarna AB and responsible for technical documentation.)



---

# СОДЕРЖАНИЕ

---

## Содержание

СОДЕРЖАНИЕ	
Содержание .....	10
ПОЯСНЕНИЕ СИМВОЛОВ	
Условные обозначения .....	11
Пояснение к уровням предупреждений .....	11
ИНСТРУКЦИЯ ПО ТЕХНИКЕ БЕЗОПАСНОСТИ	
Общие сведения .....	12
Подготовка .....	12
Эксплуатация .....	12
Техническое обслуживание .....	13
Транспортировка и хранение .....	13
Заправка топливом .....	13
СБОРКА И НАСТРОЙКИ	
Распаковка .....	14
Сборка .....	14
Описание компонентов .....	14
Идентификационная табличка .....	14
Транспортное колесо .....	14
ЗАПУСК И ОСТАНОВКА	
Перед началом работы .....	15
Запуск .....	15
Эксплуатация .....	15
Движение вперед .....	15
Задний ход .....	15
Остановка .....	15
Перемещение культиватора .....	15
ТЕХОБСЛУЖИВАНИЕ И РЕМОНТ	
График технического обслуживания .....	16
Общие сведения .....	16
ТЕХНИЧЕСКИЕ ДАННЫЕ	
Технические данные .....	17
ДЕКЛАРАЦИЯ СООТВЕТСТВИЯ ЕС .....	17

# ПОЯСНЕНИЕ СИМВОЛОВ

## Условные обозначения

Эти символы находятся на устройстве и в руководстве.

**ПРЕДУПРЕЖДЕНИЕ!** Небрежное или неправильное применение может привести к серьезной или смертельной травме оператора или окружающих.



Прежде чем приступить к работе с машиной, внимательно прочитайте инструкцию и убедитесь, что Вам все понятно.



Пользуйтесь средствами защиты органов слуха, чтобы свести к минимуму возможность нарушения слуха.



Данное изделие отвечает требованиям соответствующих директив ЕС.



Задний ход



Нейтраль



Быстрое движение вперед



Медленное движение вперед



Быстро



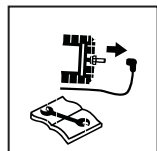
Медленно



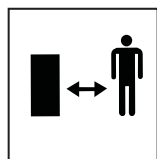
Предупреждение: вращающиеся части. Держите руки и ноги на безопасном расстоянии.



До проведения ремонта, очистки или обслуживания необходимо снять провод со свечи зажигания.



Сохраняйте дистанцию!



## Пояснение к уровням предупреждений

Существует три уровня предупреждений.

### ПРЕДУПРЕЖДЕНИЕ!



**ПРЕДУПРЕЖДЕНИЕ!** Используется, когда несоблюдение инструкций руководства может создать угрозу причинения серьезных травм или смерти оператора или повреждения находящегося рядом имущества.

### ВАЖНО!

**ВАЖНО!** Используется, когда несоблюдение инструкций руководства может создать угрозу причинения травм оператору или повреждения находящегося рядом имущества.

### ВНИМАНИЕ!

**ВНИМАНИЕ!** Используется, когда несоблюдение инструкций руководства может создать угрозу повреждения материалов или машины.

# ИНСТРУКЦИЯ ПО ТЕХНИКЕ БЕЗОПАСНОСТИ

## Общие сведения

- Эти инструкции предназначены для обеспечения безопасности персонала. Изучите инструкции.
- Перед запуском машины прочтите все инструкции, приведенные в данном руководстве и на самой машине. Убедитесь в том, что вы их поняли, и затем выполняйте их.
- В случае возникновения проблем или вопросов относительно работы культиватора обратитесь к дилеру Husqvarna для получения дополнительных сведений.



**ПРЕДУПРЕЖДЕНИЕ!** Используйте оборудование только в целях, для которых оно предназначено (культивация земли). Использование оборудования в других целях чревато рисками или может привести к повреждению оборудования.

- Изучите инструкции по безопасной эксплуатации машины и использованию средств управления, а также научитесь быстро останавливать машину. Также необходимо разбираться в значении предупредительных наклеек.
- Оператор несет ответственность при возникновении рисков или ситуаций, опасных для людей и их собственности.
- Никогда не начинайте использовать оборудование, пока участок работы не будет очищен, а вы не будете устойчиво стоять. Следите за возможными препятствиями при неожиданном перемещении. Будьте особенно осторожны при работе на склонах.
- Позволяйте использовать машину только взрослым, которые знакомы с правилами ее эксплуатации.
- Запрещается допускать к управлению или ремонту машины детей или взрослых, не имеющих соответствующей подготовки. Местные законы могут устанавливать возраст пользователя.
- В зоне работ не должны находиться посторонние. Дети, животные, зрители и помощники должны быть вне зоны работы на расстоянии более 20 м. Если кто-либо приближается к вам во время работы, немедленно остановите машину.
- Никогда не пользуйтесь машиной, если вы устали, принимали алкоголь или медицинские препараты, использование которых может отразиться на вашем зрении, сознании или координации движений.
- Соблюдайте особую осторожность при обработке твердой почвы.



**ПРЕДУПРЕЖДЕНИЕ!** Во время работы устройство создает электромагнитное поле. В определенных обстоятельствах это поле может создавать помехи для пассивных и активных медицинских имплантатов. Во избежание риска серьезной или смертельной травмы лицам с медицинскими имплантатами рекомендуется проконсультироваться с врачом и изготовителем имплантата, прежде чем приступать к эксплуатации данного устройства.

- Никогда не пользуйтесь машиной босиком. Всегда надевайте защитные сапоги или ботинки, лучше всего со стальным носком. Просторная одежда или украшения могут застрять в движущихся частях. Пользуйтесь средствами защиты органов слуха, чтобы свести к минимуму возможность нарушения слуха.

## Подготовка

- Проверьте участок работы. Уберите все посторонние предметы, которые могут быть отброшены оборудованием, включая камни, разбитое стекло, гвозди, стальную проволоку, веревки и прочее.
- Перед началом работы проверяйте состояние культиватора. Замените изношенные или поврежденные детали. Убедитесь в отсутствии утечек топлива и проследите, чтобы все защитные ограждения и щитки были установлены на своих местах и надежно закреплены. Проверьте крепление гаек и винтов.
- Убедитесь, что электрические кабели не повреждены и изолированы.

## Эксплуатация

- Культиватор не предназначен для перевозки людей.
- Соответствие условиям работы, обслуживания и ремонта, указанным производителем, и строгое их соблюдение также являются важным составным компонентом использования по назначению.
- Останавливайте двигатель, когда работа культиватором закончена.
- При работе культиватором перемещайтесь равномерно, без рывков и ускорений.
- Будьте особо внимательны, если крен культиватора в вашу сторону или включается задний ход.
- Держитесь на безопасном расстоянии от вращающихся фрез в соответствии с положением рукояток. Не приближайте руки или ноги к вращающимся фрезам.
- Двигатель и выхлопная система сильно нагреваются во время работы. Существует риск ожогов при прикосновении.
- Используйте машину только в дневное время или при хорошем освещении.
- Запрещается использовать машину на участках с уклоном более 20°.
- Работайте поперек склона, а не вверх и вниз.

# ИНСТРУКЦИЯ ПО ТЕХНИКЕ БЕЗОПАСНОСТИ



**ПРЕДУПРЕЖДЕНИЕ!** Любые изменения оригинальной конструкции культиватора без разрешения производителя запрещены. Используйте только оригинальные запасные части. Внесение неразрешенных изменений и/или использование нерекомендованных приспособлений может привести к серьезной травме или даже к смертельному исходу для пользователя или других лиц.

При использовании неоригинальных запасных частей гарантийные обязательства теряют свою силу.

Немедленно остановите двигатель в следующих случаях:

- чрезмерная вибрация и/или шум;
- заедание механизма, ведущее к остановке вращения двигателя;
- трудности при включении и выключении сцепления;
- столкновение с посторонним предметом;
- износ кабеля останова двигателя.

Если кабель останова двигателя к рукояткам оборван, используйте для останова двигателя рычаги заслонок на двигателе. Для получения дополнительных сведений см. раздел 'Запуск двигателя'

Дождитесь охлаждения машины. Отсоедините провод высокого напряжения от свечи зажигания. Убедитесь в отсутствии повреждений узлов и агрегатов. Если оборудование повреждено, обратитесь к официальному дилеру для проведения диагностики и ремонта.

## Техническое обслуживание

- Всегда останавливайте двигатель перед проведением ремонта, очистки, технического обслуживания или замены аксессуаров на культиваторе.
- Для безопасной работы и поддержания производительности на должном уровне необходимо регулярно проводить техническое обслуживание.
- Надевайте прочные перчатки при замене аксессуаров на культиваторе.
- Заменять вращающиеся фрезы следует комплектом для сохранения их балансировки. Всегда используйте оригинальные детали.
- Проверьте затяжку гаек и винтов.
- Никогда не используйте устройство с неисправным глушителем. Обратитесь к официальному дилеру.

**ВАЖНО!** В целях безопасности запрещается изменять характеристики культиватора. Запрещается изменять регулировку частоты вращения двигателя и эксплуатировать двигатель на слишком высоких оборотах.

## Транспортировка и хранение

- Дайте машине остыть перед отправкой на хранение.
- Храните культиватор и топливо в сухом месте, вдали от источников открытого огня, искр и чрезмерного тепла, избегая утечек и испарения топлива.
- В летнее время срок хранения топлива не более трех месяцев. Перед хранением зимой необходимо топливо слить, а остатки выработать до конца, заведя двигатель.
- Топливо и его пары легковоспламеняемы. Будьте осторожны при обращении с топливом и маслом. Помните об опасности пожара, взрывов и вдыхания паров.
- Топливо всегда следует хранить и транспортировать в специальных емкостях, предназначенных для этой цели.
- Не пытайтесь поднимать оборудование. При выполнении манипуляций с оборудованием используйте методы, соответствующие его весу и ситуации.
- Соблюдайте особую осторожность при погрузке оборудования на транспортное средство/платформу или его разгрузке. Используйте соответствующую рампу.
- Для перевозки используйте грузовую платформу соответствующей грузоподъемности. Машину следует закреплять только утвержденными для таких работ стропами. Стропы не должны деформировать компоненты машины. В качестве дополнительной защиты при транспортировке машину можно накрыть.
- Дополнительные сведения о перемещении оборудования во время работы см. в разделе 'Перемещение'.

## Заправка топливом

- Перед заправкой следует обязательно выключить двигатель и дать ему охладиться в течение нескольких минут.
- Заправку необходимо производить в местах с хорошей циркуляцией воздуха и с выключенным двигателем.



**ПРЕДУПРЕЖДЕНИЕ!** Бензин является легковоспламеняемой жидкостью. Будьте осторожны и заправляйте машину только на улице. Запрещается курить и использовать источники открытого огня.

Очистите поверхность вокруг крышки топливного бака. После заправки плотно затяните крышку топливного бака. Если крышка неплотно затянута, то под воздействием вибрации крышка может открутиться, что приведет к вытеканию топлива из топливного бака и риску возникновения пожара. Перед запуском переместите культиватор как минимум на 3 м от места заправки.

- Помните об опасности пожара, взрывов и вдыхания паров. Не заливайте столько топлива, чтобы оно переливалось. Устраните разлитое топливо на поверхности и культиваторе. В случае пролива топлива на себя или на одежду. Замените одежду. Перед запуском переместите оборудование не менее чем на 3 метра от места заправки.
- При работе двигатель выделяет окись углерода, бесцветный токсичный газ. Не пользуйтесь машиной в замкнутых пространствах.

# СБОРКА И НАСТРОЙКИ

## Распаковка

Рисунок: 1 · 1

**ВАЖНО!** При разрезании краев коробки старайтесь не повредить кабели и не поцарапать оборудование.

Обозначения	Содержимое комплекта
A	Упаковка
B	Компонент держателя
C	Основной компонент держателя
D	Нижняя защитная крышка
E	Сошник
F	Защита фрез
G	Кронштейн защиты фрез
H	Рычаг переключения
I	Ножи
J	Колесо
K	Сцепка
L	Набор инструментов
M	Комплект крепежа, только для фрез
N	Комплект крепежа

## Сборка

Рисунок: 1 · 2



**ПРЕДУПРЕЖДЕНИЕ!** Неправильная сборка культиватора может привести к серьезным травмам. Строго соблюдайте приведенные ниже инструкции.

- Установка ножей фрез. На рисунках показана сборка ножей фрез только с правой стороны. Убедитесь, что ножи на фрезе левой и правой стороны установлены лезвием в одну сторону. С каждой стороны имеется по одному короткому ножу, который при сборке необходимо отогнуть в сторону редуктора. (Рисунок 1 - 6)
- Установка сцепки. (Рисунок 7)
- Установка тяги. (Рисунок 8)
- Установка рукояток. (Рисунок 9)
- Настройте высоту рукояток и надежно зафиксируйте крепление. (Рисунок 10)
- Установка рычага управления сцеплением. (Рисунок 11)
  - Поверните в нужную сторону и затяните болт.
- Установка нижней защитной крышки. (Рисунок 12 - 13)
  - Будьте аккуратны при фиксации кабелей!
  - Установите резиновый держатель надлежащим образом.
  - Установите крышку и затяните винты.
- Установка защит фрез. (Рисунок 14 - 16)
  - Не затягивайте болт сразу после установки.
  - Сначала установите все 4 болта и гайки, а затем затяните их по очереди.

- Установка рычага переключения. (Рисунок 17)

По возникающим вопросам сборки-разборки рекомендует обращаться к любому официальному дилеру.

**ВНИМАНИЕ!** После полной сборки оборудования затяните винты и болты с умеренным усилием. Не прикладывайте при затяжке слишком больших усилий.

## Описание компонентов

Рисунок: 1 · 3

- 1 Двигатель
- 2 Защита фрез
- 3 Нижняя защитная крышка
- 4 Защита фрез
- 5 Ножи
- 6 Сошник
- 7 Рукоятки
- 8 Рычаг переключения
- 9 Бампер
- 10 Управление сцеплением
- 11 Управление дросселем
- 12 Переключатель ВКЛ/ВЫКЛ
- 13 Верхняя защитная крышка

## Идентификационная табличка

Рисунок: 1 · 4

- 1 Серийный номер
- 2 Артикул
- 3 Объем культивации
- 4 Переключение передачи
- 5 Рабочий объем двигателя
- 6 Моторное масло Качество (вязкость):
- 7 Моторное масло, емкость
- 8 Трансмиссионное масло, качество
- 9 Трансмиссионное масло, емкость
- 10 Номинальная мощность
- 11 Вес нетто, кг
- 12 Топливо

## Транспортное колесо

Рисунок: 1 · 5

При транспортировке фрезы следует заменять колесами.

Дополнительные сведения о перемещении оборудования см. в разделе 'Перемещение'.

# ЗАПУСК И ОСТАНОВКА

## Перед началом работы

- Проверьте уровень масла в двигателе и при необходимости добавьте масло. Рисунок: 2 · 1
- Проверьте уровень масла в редукторе и при необходимости долейте масло. Рисунок: 2 · 2
- Проверьте уровень топлива. При необходимости заправьте. Рисунок: 2 · 3

- Рекомендации по использованию:

Неэтилированный бензин с октановым числом более 90.

- Пропитывание воздушного фильтра маслом Рисунок: 2 · 4

## Запуск

- Откройте топливный кран. Рисунок: 2 · 5
- Установите рычаг воздушной заслонки в положение А. Рисунок: 2 · 6
- Управление дросселем Рисунок: 2 · 7
- Переместите ручку газа в положение полного газа.



- Установите переключатель включения/выключения в положение ON (ВКЛ) для переключения дроссельной заслонки в пусковое положение. Рисунок: 2 · 8
- Рычаг переключения Рисунок: 2 · 9
- Установите рычаг переключения передач в положение 'N' (нейтральное).

# N

- Потяните рукоятку стартера Рисунок: 2 · 10



**ПРЕДУПРЕЖДЕНИЕ!** Когда культиватор запустится, оставайтесь в безопасной зоне.

- Когда двигатель заведется, необходимо переместить заслонку в положение В. Рисунок: 2 · 11

## Эксплуатация



**ПРЕДУПРЕЖДЕНИЕ!** В зоне работ не должны находиться посторонние. Дети, животные, зрители и помощники должны быть вне зоны работы на расстоянии более 20 м. Если кто-либо приближается к вам во время работы, немедленно остановите машину.

## Движение вперед

Рисунок: 3 · 1

- Для управления скоростью движения используйте рычаг переключения.

Медленно

# 1

Быстро

# 2

- Нажмите блокиратор газа на рукоятке (А) и нажмите рычаг сцепления в сторону рукоятки (В).
- При нажатии рычага в сторону рукоятки фрезы начнут вращаться; вращение прекратиться, если рычаг сцепления отпустить.

## Задний ход

Рисунок: 3 · 2

**ВАЖНО!** При нажатии рычага в сторону рукоятки фрезы начнут вращаться; вращение прекратиться, если рычаг сцепления отпустить. Необходимо всегда отпускать рычаг сцепления перед включением заднего хода.

- Передвиньте рычаг переключения передач в положение R.

# R



**ПРЕДУПРЕЖДЕНИЕ!** Использование заднего хода опасно! Убедитесь, что позади вас нет никаких препятствий, и уменьшите обороты двигателя, прежде чем включить сцепление.

- Нажмите блокиратор газа на рукоятке (А) и нажмите рычаг сцепления в сторону рукоятки (В).

## Остановка

- Отпустите рычаг сцепления. Рисунок: 4 · 1
- Установите рычаг переключения передач в положение 'N' (нейтральное). Рисунок: 4 · 2

# N

- Установите рычаг газа в положение MIN. Рисунок: 4 · 3



- Для полной остановки двигателя необходимо переместить выключатель в положение OFF (ВЫКЛ.) Рисунок: 4 · 4
- После остановки двигателя закройте топливный кран. Рисунок: 4 · 5

## Перемещение культиватора

Рисунок: 5 · 1

- При перемещении двигатель должен быть выключен. См. инструкции в разделе 'Остановка'.
- При транспортировке фрезы следует заменять колесами. (Рисунок А)
- Поднимите сошник с земли с помощью рукояток и подайте вперед. (Рисунок В)

# ТЕХОБСЛУЖИВАНИЕ И РЕМОНТ

## График технического обслуживания

Ниже приведен перечень технического обслуживания, которое необходимо выполнять в зависимости от наработки в моточасах.

Техническое обслуживание	Рисунок	Ежедневное техобслуживание перед запуском	Интервалы между циклами технического обслуживания в часах			
			каждые 20 часов или раз в месяц	каждые 50 часов или раз в 3 месяца	каждые 100 часов или раз в 6 месяцев	каждые 300 часов или раз в год
Очистите машину.		X				
Проверьте затяжку гаек и винтов и отсутствие повреждений на них.		X				
Прочистите воздушный фильтр. При необходимости замените.	4 · 6	X		X*		X**
Проверьте уровень масла в двигателе	2 · 1, 2 · 4	X				
Проверьте уровень масла в редукторе и при необходимости долейте масло.	2 · 2	X				
Проверьте отсутствие утечек топлива, моторного масла и смазки.		X				
Проверьте уровень топлива. При необходимости заправьте.	2 · 3	X				
В случае необычной вибрации машины незамедлительно выполните проверку.		X				
Замените масло и смазку двигателя и редуктора.			X		X	
Очистите топливный фильтр и окружающие компоненты.					X	X**
Очистите свечу зажигания и колпачок свечи зажигания.					X	
Замените свечу зажигания.						X
Регулировка зазоров клапанов двигателя						X**
Диагностика ЦПГ						X**
Проверка топливной системы						X**

\* При эксплуатации оборудования в условиях запыленного или загрязненного воздуха очистку следует проводить чаще.

\*\* Необязательно, за исключением возникновения проблем с производительностью. Обратитесь к официальному дилеру.



**ПРЕДУПРЕЖДЕНИЕ!** Регулярно обслуживайте губчатый фильтр. Тщательно промывайте фильтр в растворе теплой мыльной воды. После этого промойте фильтр в чистой воде. Выжмите и дайте фильтру просохнуть. **ВАЖНО!** Сжатый воздух под высоким давлением может повредить его губчатую структуру. Не используйте для очистки губчатого воздушного фильтра сжатый воздух или содержащие растворители жидкости.

## Общие сведения



**ПРЕДУПРЕЖДЕНИЕ!** Перед проведением ремонта, очистки или осмотра машина должна быть остановлена и выключена. Ни в коем случае не выполняйте регулировку на работающей машине.

Всегда используйте оригинальные детали.

- Никогда не надевайте украшения, часы или прочие аксессуары во время очистки, ремонта или осмотра машины.

Никогда не вносите изменений в конструкцию оборудования безопасности. Регулярно проверяйте его функционирование.

Необходимо быть осторожным и руководствоваться здравым смыслом. Избегайте работ, для которых, по вашему мнению, уровень вашей квалификации недостаточен. Если после изучения настоящих инструкций у вас возникли вопросы относительно эксплуатации машины, прежде чем приступить к работе, обратитесь за консультацией к специалисту. Обратитесь к официальному дилеру.

# ТЕХНИЧЕСКИЕ ДАННЫЕ

## Технические данные

	TF338
Ширина культивации, мм	950
Глубина культивации, мм	150 - 300
Двигатель	WM170FB/P-2
Топливо	Неэтилированный бензин
Емкость топливного бака, литров	4,8
Емкость масляного бака, литров	0,6
Объем цилиндра, см <sup>3</sup>	212
Макс. мощность, л.с. (кВт) при об/мин	4,9 (3,6) @3100
Передачи	R, N, 2, 1
Объем масла в редукторе, л	1,1
Общий вес, кг	106
Вес нетто, кг	93
Размер упаковки, мм	860x490x860
Сертификация	CE, EAC

**ВАЖНО!** Если машина не используется по причине выработки эксплуатационного ресурса, ее следует сдать в соответствующую организацию для переработки.

**ВАЖНО!** Производитель сохраняет за собой право изменения спецификаций и конструкции без предварительного уведомления с целью модернизации машины. Никакие юридические претензии не могут быть предъявлены на основании информации, приведенной в данной инструкции. Для ремонта используйте только оригинальные детали. При использовании неоригинальных запасных частей гарантийные обязательства теряют свою силу.

## ДЕКЛАРАЦИЯ СООТВЕТСТВИЯ ЕС (Только для Европы)

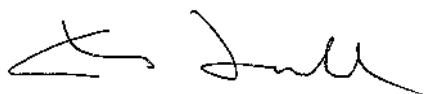
Husqvarna AB, SE-561 82 Huskvarna, Швеция, тел.: +46-36-146500, настоящим заверяет, что культиваторы Husqvarna TF 230 и TF 338 с серийными номерами 1447000096 и далее для TF 230, 1447000139 и далее для TF 338 (серийный номер четко указан на табличке с обозначением типа), соответствуют требованиям ДИРЕКТИВ СОВЕТА:

от 17 мая 2006 года, 'о машинах и механизмах' 2006/42/ЕС.

от 15 декабря 2004 года, 'об электромагнитной совместимости' 2004/108/ЕС.

Были применены следующие стандарты технического соответствия: EN 709:1997, A4:2009

Husqvarna, 10 декабря 2014 г.



Claes Losdal, Директор отдела разработок/Садовая техника (уполномоченный представитель Husqvarna AB, ответственный за техническую документацию.)



---

# ЗМІСТ

---

## Зміст

ЗМІСТ	
Зміст .....	18
<b>УМОВНІ ПОЗНАЧЕННЯ</b>	
Позначення .....	19
Описання рівнів попередження .....	19
<b>ІНСТРУКЦІЇ З ТЕХНІКИ БЕЗПЕКИ</b>	
Загальне .....	20
Підготування .....	20
Застосування .....	20
Технічне обслуговування .....	21
Транспортування та зберігання .....	21
Заправлення паливом .....	21
<b>МОНТАЖ ТА НАЛАШТУВАННЯ</b>	
Розпакування .....	22
Збирання .....	22
Опис компонентів .....	22
Табличка технічних даних .....	22
Транспортне колесо .....	22
<b>ПУСК ТА ВИМИКАННЯ</b>	
Перед початком роботи .....	23
Запуск. ....	23
Застосування .....	23
Вперед .....	23
Задній хід .....	23
Вимкнення .....	23
Переміщення машини .....	23
<b>ОБСЛУГОВУВАННЯ</b>	
Графік технічного обслуговування .....	24
Загальне .....	24
<b>ТЕХНІЧНІ ХАРАКТЕРИСТИКИ</b>	
Технічні дані .....	25
Декларація відповідності стандартам Європейського Союзу .....	25

# УМОВНІ ПОЗНАЧЕННЯ

## Позначення

Ці символи зазначено на корпусі культиватора та в інструкціях.

**УВАГА!** Недбале чи неправильне використання може спричинити серйозну або смертельну травму користувача чи інших осіб.



Перед експлуатацією культиватора уважно прочитайте це керівництво та переконайтесь, що Вам все зрозуміло.



Використовуйте засоби захисту органів слуху, щоб звести до мінімуму ризик порушення органів слуху.



Цей виріб відповідає належним вимогам ЄС.



Задній хід



Нейтральна передача



Швидко вперед



Повільно вперед



Швидко



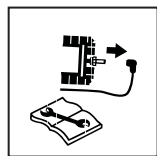
Повільно



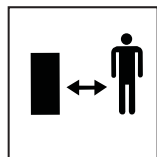
Увага: обертальні частини. Не наближайте до них руки та ноги.



Перед проведенням ремонту, очищенням або технічним обслуговуванням слід завжди від'єднувати дрот від свічки запалювання.



Тримайте дистанцію!



## Описання рівнів попередження

Існують три рівні попередження.

### УВАГА!



**УВАГА!** Використовується, якщо існує ризик травмування користувача або пошкодження навколишніх об'єктів внаслідок порушення інструкцій, наведених у цьому керівництві.

### ВАЖЛИВО!

**ВАЖЛИВО!** Використовується, якщо існує ризик травмування користувача або пошкодження навколишніх об'єктів внаслідок порушення інструкцій, наведених у цьому керівництві.

### УВАГА!

**УВАГА!** Використовується, якщо існує ризик пошкодження навколишніх об'єктів або пристрою, внаслідок порушення інструкцій, наведених у цьому керівництві.

# ІНСТРУКЦІЇ З ТЕХНІКИ БЕЗПЕКИ

## Загальне

- Ці інструкції надаються для вашої безпеки. Прочитайте їх уважно.
- Перед запуском пристрою прочитайте всі інструкції в цьому посібнику користувача і на корпусі машини. Переконайтеся, що ви розумієте їх, а потім дотримуйтеся їх.
- Якщо у вас виникли будь-які проблеми чи запитання стосовно цього культиватора, зв'яжіться зі своїм дилером Husqvarna для отримання додаткової інформації.



**УВАГА!** Використовуйте машину лише за призначенням – для обробки ґрунту. Використання з іншою метою може бути небезпечним або може пошкодити культиватор.

- Дізнайтеся, як безпечно користуватися технікою та її елементами керування, а також як швидко її зупиняти. Окрім цього, необхідно навчитися розуміти зміст попереджувальних наклейок.
- Оператор культиватора несе відповідальність за виникнення будь-яких небезпечних ситуацій та ризику на які наражаються люди та майно.
- Забороняється починати роботу з культиватором на захищеному робочому місці, а також не маючи стійкої точки опори. Потрібно виявити будь-які перешкоди, що можуть мати непередбачувані наслідки. Будьте дуже уважні, працюючи на схилах.
- Дозволяйте користуватися культиватором лише дорослим, ознайомленим із його роботою.
- Ніколи не дозволяйте користуватися культиватором дітям та іншим особам, які не мають досвіду керування машиною чи її обслуговування. Вік користувача може регламентуватися місцевими законами.
- Не підпускайте до себе сторонніх людей. Діти, тварини, особи, що спостерігають чи допомагають вам працювати, повинні залишатися у безпечній зоні на відстані більше 20 метрів. Негайно вимкніть двигун, якщо хтось підійде.
- В жодному разі не користуйтеся культиватором, якщо ви втомлені, вживали спиртні напої, чи приймаєте ліки, що можуть негативно вплинути на ваш зір, свідомість чи координацію рухів.
- Зверніть особливу увагу на твердість поверхні.



**УВАГА!** Під час роботи цей інструмент створює електромагнітне поле. Це поле може за деяких умов взаємодіяти з активними чи пасивними медичними імплантатами. Для зменшення ризику серйозних або смертельних травм, перед початком роботи з інструментом ми рекомендуємо особам з медичними імплантатами проконсультуватися зі своїм лікарем та виробником медичного імплантату.

- Ніколи не працюйте з культиватором босоніж. Завжди носіть захисні туфлі або черевики, найкраще зі сталевим носком. Ніколи не носіть вільний одяг, коштовності чи аналогічні речі, що можуть потрапити в рухомі частини. Використовуйте засоби захисту органів слуху, щоб звести до мінімуму ризик порушення органів слуху.

## Підготування

- Огляньте зону, де ви працюватимете. Видаліть усі сторонні предмети, які культиватор може відкинути у процесі роботи, такі як каміння, розбите скло, цвяхи, металеві дроти, мотузки тощо.
- Перед початком роботи перевірте стан культиватора. Замініть зношені або пошкоджені деталі. Переконайтеся, що немає витоку палива, захисні деталі та кожухи в наявності та надійно закріплені. Перевірте закріплення гвинтів і гайок.
- Переконайтеся, що електричні кабелі нешкоджені та в гарному стані.

## Застосування

- Культиватор не призначений для перевезення людей.
- Також важливою частиною використання культиватора за призначенням являється обслуговування та ремонт, зазначені виробником, та їх суворе дотримання.
- Вимикайте двигун, коли роботу з культиватором закінчено.
- При роботі з культиватором рухайтесь рівномірно, без ривків та різких прискорень.
- Будьте особливо уважні при нахилі культиватора у ваш бік та при увімкненні передачі заднього ходу.
- Тримайтеся на безпечній відстані від фрез що обертаються у відповідності з довжиною ручок. Не наближайте руки та ноги до фрез що обертаються.
- Двигун і система випуску сильно нагріваються під час роботи. Торкання може спричинити опіки.
- Використовуйте культиватор тільки при денному світлі або за інших умов доброго освітлення.
- Не використовуйте культиватор на ділянках із нахилом понад 20 °.
- Працюйте культиватором впоперек схилу, а не вгору чи вниз.



**УВАГА!** За жодних обставин не можна вносити зміни в конструкцію культиватора без дозволу виробника. Використовуйте тільки оригінальні запчастини. Внесення змін чи використання запчастин та аксесуарів, не схвалених виробником, може привести до травми користувача чи інших людей, або до смертельних наслідків.

У разі використання неоригінальних деталей гарантія скасовується.

# ІНСТРУКЦІЇ З ТЕХНІКИ БЕЗПЕКИ

Негайно вимкніть двигун за наступних ситуацій:

- Надмірні вібрації та/або шум.
- Механічне заїдання, що може призвести до зупинки двигуна.
- Труднощі з увімкненням чи вимкненням зчеплення.
- Зіткнення зі стороннім об'єктом.
- Погіршення стану кабелю зупинки двигуна.

У випадку пошкодження чи розірвання кабелю зупинки двигуна скористайтеся важелями заслінок на двигуні, щоб вимкнути двигун. Докладніша інформація доступна в розділі, присвяченому запуску двигуна

Дайте інструменту час, щоб охолонути. Від'єднайте дріт високої напруги від свічки запалювання. Перевірте, чи не пошкоджено машину. Якщо машину пошкоджено, передайте її до уповноваженого сервісного центру для ремонту.

## Технічне обслуговування

- Завжди зупиняйте двигун перед ремонтом, чищенням, обслуговуванням або заміною деталей та інструментів.
- Для безпечного використання і для підтримки належного рівня продуктивності необхідне регулярне технічне обслуговування.
- Перед зміною фрез на машині надягайте спеціальні рукавички для важких умов.
- Заміняйте фрези цілим комплектом для збереження їх збалансованої роботи. Завжди користуйтеся оригінальними запчастинами.
- Перевірте, щоб гайки і гвинти були добре затягнуті.
- Ніколи не користуйтеся інструментом із несправним глушником. Зверніться до авторизованого сервісного центру.

**ВАЖЛИВО!** Для вашої власної безпеки не змінюйте встановлені параметри машини. Не змінюйте налаштування швидкості двигуна і не експлуатуйте двигун на надто високій швидкості.

## Транспортування та зберігання

- Дозвольте машині охолонути, перш ніж сховати її після роботи.
- Зберігайте культиватор та паливо в сухому місці, на відстані від джерел відкритого вогню, іскор та надмірного тепла, уникаючи витоків та випаровування палива.
- У літній період часу термін зберігання палива складає не більше трьох місяців. Перед зберіганням у зимовий період часу паливо необхідно злити, а залишки виробити до кінця, завівши двигун.

- Паливо та його випари дуже вогненебезпечні. Будьте обережні, працюючи з паливом, маслом та мастилом. Пам'ятайте про небезпеку загоряння, вибуху та вдихання випарів.
- Для зберігання чи перевезення палива користуйтеся відповідними ємностями, призначеними для таких цілей.
- Не намагайтеся підняти машину. Поводьтеся з машиною, враховуючи її вагу та поточну ситуацію.
- Будьте особливо обережні під час завантаження її на транспортний засіб чи причеп, а також під час відповідного вивантаження. Використовуйте належний борт.
- Використовуйте спеціальний причеп для транспортування машини. Закріпіть машину спеціальними ременями. Переконайтеся, що ніяку частину машини не стиснуто і не пошкоджено ременями. Радимо вкрити машину.
- Додаткова інформація про переміщення машини під час роботи доступна в розділі, присвяченому переміщенню.

## Заправлення паливом

- Перед заправленням обов'язково вимкніть двигун і дайте йому охолонути протягом декількох хвилин.
- Заправлення палива у бак проводьте у добре провітрюваному приміщенні та з вимкненим двигуном.



**УВАГА!** Бензин є легкозаймистою рідиною. Будьте обережні та заправляйте на відкритому повітрі. Вогонь, відкрите полум'я і куріння заборонені.

Витріть кришку паливного баку та поверхню біля горловини. Після заправлення обережно, але щільно закрийте кришку. Якщо кришка паливного баку не затягнута достатньо щільно, унаслідок вібрацій ця кришка може послабитися, що спричинить витікання палива з баку та ризик виникнення пожежі. Перемістіть культиватор принаймні на 3 метри від місця заправлення перед тим, як запустити його.

- Пам'ятайте про небезпеку загоряння, вибуху та вдихання випарів. Забороняється надмірне заливання палива так, що воно виливається назовні. Видаліть усе пролите на землю та пристрій паливо. Якщо ви пролили паливо на себе чи на свій одяг. Переодягніться. Перемістіть пристрій принаймні на 3 м від місця заправлення паливом перед тим, як запустити його.
- Двигун виділяє окис вуглецю – безбарвний отруйний чадний газ. Не використовуйте машину в закритих приміщеннях.

# МОНТАЖ ТА НАЛАШТУВАННЯ

## Розпакування

Ілюстрація: 1 · 1

**ВАЖЛИВО!** Розрізаючи краї упаковки, будьте обережні, щоб не пошкодити кабелі та корпус культиватора.

Позначення	Опис
A	Деталі двигуна
B	Компонент тримача
C	Головний компонент тримача
D	Нижній чохол для впорядкування кабелів
E	Кермо
F	Чохол для зубців
G	Скоба чохла для зубців
H	Важіль перемикачів швидкостей
I	Лопаті
J	Колесо
K	З'єднувач
L	Сумка для інструментів
M	Окрема сумка для зубців
N	Сумка для металевих частин

## Збирання

Ілюстрація: 1 · 2



**УВАГА!** Неправильне збирання цього культиватора може призвести до серйозних травм. Переконайтеся, що ви точно дотримуєтесь всіх інструкцій.

- Установка ножів на фрези. На ілюстрації відображається лише процес встановлення ножів на фрези, лише для правої сторони. Переконайтеся, що гострі краї напрямлено в один бік у ножах як ліворуч, так і праворуч. На кожному з боків є одне коротке лезо, яке під час збирання слід зігнути вбік коробки передач. (Ілюстрація 1-6)
- Установлення з'єднувача. (Ілюстрація 7)
- Установлення керма. (Ілюстрація 8)
- Установлення ручки. (Ілюстрація 9)
- Відрегулюйте висоту ручки та надійно затягніть фіксуючі голівки. (Ілюстрація 10)
- Установлення перемикача зчеплення. (Ілюстрація 11)
  - Поверніть у потрібний бік і затягніть болт.
- Установлення нижнього чохла для впорядкування кабелів. (Ілюстрація 12-13)
  - Будьте уважні при фіксації кабелів.
  - Правильно встановіть гумовий тримач.
  - Установіть чохол і закрутіть гвинти.
- Установлення чохла для зубців. (Ілюстрація 14-16)
  - Не закручуйте болт відразу після встановлення.
  - Спочатку розмістіть усі 4 болти та гайки, а потім закрутіть по черзі.

- Установлення перемикача швидкостей. (Ілюстрація 17)

При виникненні питань з приводу зборки/розборки рекомендуємо звернутись до будь якого офіційного дилера.

**УВАГА!** Після повного збирання машини повільно затягніть болти і гвинти. Не затягуйте надто сильно.

## Опис компонентів

Ілюстрація: 1 · 3

- 1 Двигун
- 2 Чохол для зубців
- 3 Нижній чохол для впорядкування кабелів
- 4 Кришка для ременя
- 5 Лопаті
- 6 Кермо
- 7 Ручка
- 8 Важіль перемикачів швидкостей
- 9 Бампер
- 10 Перемикач зчеплення
- 11 Регулятор дроселя
- 12 Перемикач увімкнення/вимкнення
- 13 Верхній чохол для впорядкування кабелів

## Табличка технічних даних

Ілюстрація: 1 · 4

- 1 Серійний номер
- 2 Артикул товару
- 3 Ширина захвату
- 4 Перемикач передач
- 5 Об'єм циліндра
- 6 Тип масла для двигуна
- 7 Об'єм масла у двигуні
- 8 Тип масла для КПП
- 9 Об'єм масла у КПП
- 10 Номінальна потужність
- 11 Вага нетто, кг
- 12 Пальне

## Транспортне колесо

Ілюстрація: 1 · 5

Для транспортування культиватора замініть фрези на колеса.

Додаткова інформація про переміщення машини доступна в розділі, присвяченому переміщенню.

# ПУСК ТА ВИМИКАННЯ

## Перед початком роботи

- Перевірте рівень оливи у двигуні і за необхідності долийте її. Ілюстрація: 2 · 1
- Перевірте рівень оливи в коробці передач і за необхідності долийте її. Ілюстрація: 2 · 2
- Перевірте рівень палива. За необхідності додайте палива. Ілюстрація: 2 · 3
  - Рекомендується використовувати: Октанове число понад 90.
- Перевірте рівень масла у повітряному фільтрі і за необхідності додайте Ілюстрація: 2 · 4

## Запуск.

- Відкрийте паливний кран. Ілюстрація: 2 · 5
- Переведіть перемикач повітряної заслінки в положення А. Ілюстрація: 2 · 6
- Регулятор дроселя Ілюстрація: 2 · 7
  - Перемістіть регулятор дроселя в положення повністю відкритої дросельної заслінки.



- Перемістіть перемикач увімкнення/вимкнення в положення ON (УВІМК.) для переходу в режим початкового положення дроселя. Ілюстрація: 2 · 8
- Перемикач швидкості Ілюстрація: 2 · 9
  - Установіть перемикач швидкості в положення 'N' (нейтральне положення).

# N

- Потягніть ручку стартера Ілюстрація: 2 · 10



УВАГА! Під час запуску машини залишайтеся в безпечній зоні.

- Переведіть перемикач повітряної заслінки в положення В. Ілюстрація: 2 · 11

## Застосування



УВАГА! Не підпускайте до себе сторонніх людей. Діти, тварини, особи, що спостерігають чи допомагають вам працювати, повинні залишатися у безпечній зоні на відстані більше 20 метрів. Негайно вимкніть двигун, якщо хтось підійде.

## Вперед

Ілюстрація: 3 · 1

- Керуйте швидкістю за допомогою перемикача швидкостей.

Повільно

# 1

Швидко

# 2

- Натисніть перемикач блокування на ручці (А) та перемістіть важіль керування зчепленням у бік ручки (В).
- Фрези починають обертатись, коли ви переміщуєте зчеплення по напрямку до ручки, та припиняє обертатися, коли ви відпускаєте зчеплення.

## Задній хід

Ілюстрація: 3 · 2

**ВАЖЛИВО!** Фрези починають обертатись, коли ви переміщуєте зчеплення по напрямку до ручки, та припиняє обертатися, коли ви відпускаєте зчеплення. Важливо відпускати важіль зчеплення перед перемиканням швидкості на зворотній хід.

- Перемістіть перемикач у положення 'R'.

# R



УВАГА! Використання зворотнього ходу небезпечно! Переконайтеся, що позаду вас немає ніяких перешкод, і зменшіть оберти двигуна перед застосуванням зчеплення.

- Натисніть перемикач блокування на ручці (А) та перемістіть важіль керування зчепленням у бік ручки (В).

## Вимкнення

- Відпустіть важіль зчеплення. Ілюстрація: 4 · 1
- Установіть перемикач швидкості в положення 'N' (нейтральне положення). Ілюстрація: 4 · 2

# N

- Перемістіть регулятор дроселя в положення MIN. Ілюстрація: 4 · 3



- Щоб зупинити двигун, переключіть вимикач. Ілюстрація: 4 · 4
- Закрийте паливний кран. Ілюстрація: 4 · 5

## Переміщення машини

Ілюстрація: 5 · 1

- Перед переміщенням культиватора, вимкніть двигун. Див. інструкції в розділі зупинення.
- Для транспортування культиватора замініть фрези на колеса. (Ілюстрація А)
- Підніміть кермо за ручки та рухайтеся вперед. (Ілюстрація В)

# ОБСЛУГОВУВАННЯ

## Графік технічного обслуговування

Нижче наведено перелік заходів технічного обслуговування, які слід виконувати.

Технічне обслуговування	Ілюстрація:	Щоденне обслуговування перед початком роботи	Інтервали технічного обслуговування в годинах			
			20 годин або щомісяця	50 годин або кожні 3 місяці	100 годин або кожні 6 місяців	300 годин або щороку
Очистіть машину.		X				
Переконайтеся, що гайки та гвинти затягнуто і не пошкоджено.		X				
Почистіть повітряний фільтр. Замініть в разі потреби.	4 · 6	X		X*		X**
Перевірте рівень оливи у двигуні	2 · 1, 2 · 4	X				
Перевірте рівень оливи в коробці передач і за необхідності долийте її.	2 · 2	X				
Перевірте, чи немає витоку палива, моторного масла.		X				
Перевірте рівень палива. За необхідності додайте палива.	2 · 3	X				
Якщо інструмент починає незвично вібрувати, необхідно негайно перевірити його.		X				
Замініть оливу і мастило у двигуні та коробці передач.			X		X	
Очистіть паливний фільтр і його навколишні компоненти.					X	X**
Очистіть свічку запалювання та її ковпачок.					X	
Необхідно замінити свічку запалювання.						X
Регулювання зазору						X**
Діагностика ЦПГ						X**
Перевірка паливної системи						X**

\* Виконуйте процедуру чищення частіше при роботі за умов запиленого або забрудненого повітря.

\*\* Не важливо, якщо немає проблем із продуктивністю. Зверніться до авторизованого сервісного центру.



**УВАГА!** Регулярно обслуговуйте губчастий фільтр. Промийте його ретельно у теплій мильній воді. Після цього ретельно мийте фільтр у чистій воді. Відіжміть фільтр та дайте висохнути. **ЗВЕРНІТЬ УВАГУ!** Стиснене повітря може пошкодити піну його губчасту структуру. Не використовуйте стиснене повітря або розчинники на основі нафти для очищення повітряного фільтра.

## Загальне



**УВАГА!** Перед проведенням ремонтних робіт, очищення або перевірки машина повинна бути у стані спокою та з вимкненим двигуном. Забороняється виконувати регулювання за увімкненому двигуна.

Завжди користуйтеся оригінальними запчастинами.

- Зніміть прикраси, годинники та аналогічні речі перед чищенням, ремонтом або оглядом машини.

Не змінюйте конструкцію захисного обладнання. Регулярно перевіряйте обладнання, щоб переконаватися, що воно працює належним чином.

Завжди будьте обережні та керуйтеся здоровим глуздом. Уникайте ситуацій, які виходять за межі ваших можливостей. Якщо після ознайомлення з інструкціями у вас залишаться сумніви щодо того, як користуватися інструментом, перед продовженням необхідно проконсультуватися у спеціаліста. Зверніться до авторизованого сервісного центру.

# ТЕХНІЧНІ ХАРАКТЕРИСТИКИ

## Технічні дані

	TF338
Ширина зрізання, мм	950
Глибина зрізання, мм	150 - 300
Двигун	WM170FB/P-2
Пальне	Бензин
Ємність паливного бака, американських рідких унцій/л	4,8
Об'єм масла у двигуні, літри	0,6
Об'єм циліндра, см <sup>3</sup>	212
Макс. потужність, к.с. (кВт) @ обертів на хвилину	4,9 (3,6) @3100
Передачі	R, N, 2, 1
Місткість оливи в коробці передач, літри	1,1
Вага брутто, кг	106
Вага нетто, кг	93
Розмір упаковки, мм	860x490x860
Сертифікація	CE, EAC

**ВАЖЛИВО!** Коли термін служби цього продукту минув, і він більше не використовується, його слід повернути до дилера або у відповідне місце для утилізації.

**ВАЖЛИВО!** Ми залишаємо за собою право змінювати технічні характеристики та конструкцію, а також впроваджувати вдосконалення без попереднього повідомлення. Зауважте, що жодні правові претензії на основі інформації, що міститься в цьому посібнику, не є дійсними. Для ремонту використовуйте лише оригінальні деталі. У разі використання неоригінальних деталей гарантія анулюється.

## Декларація відповідності стандартам Європейського Союзу (Лише для країн Європи)

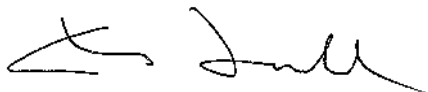
Ми, Husqvarna AB, SE-561 82 місто Хускварна, Швеція, телефон: +46-36-146500, заявляємо під свою виключну відповідальність, що культиватори Husqvarna TF 230 та TF 338 із серійними номерами, починаючи з 1447000096 для TF 230 та 1447000139 для TF 338 (серійний номер зазначено нешифрованим текстом на заводській табличці технічних даних), відповідають вимогам ДИРЕКТИВ РАДИ ЄС:

від 17 травня 2006 р. 'стосовно механічного обладнання' 2006/42/ЄС.

від 15 грудня 2004 р. 'про електромагнітну сумісність' 2004/108/ЄС.

Застосовано такі гармонізовані стандарти: EN 709:1997, A4:2009

Гускварна, 10 Грудень 2014 р.



Клаес Лосдал (Claes Losdal), Директор відділу розробок / Садова техніка (Уповноважений представник компанії Husqvarna AB, що відповідає за технічну документацію).









**Original instructions**  
Оригинальные инструкции  
Основні інструкції

**1157451-38**



**2015-06-10**