

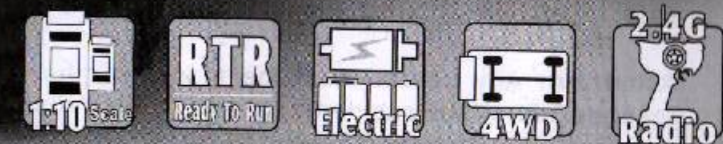
1/10 Scale 4WD Electric monster truck

Manual

www.zdhobby.com

BRUSHLESS/BRUSHED
#9106/#9105

THUNDER
ZMT-10



ZMT-10 Specifications

Length: 17.62"(446mm)
Width: 12.68"(321mm)
Height: 8.22"(208mm)
Wheel Base: 11.64"(294.5mm)
Gear Ratio: 11.69 : 1
Wheel Spec: $\Phi 122 \times 60 \text{mm}$
Ground Clearance: 2.05"(52mm)

ZD racing

This manual expatiates the structure of the model. In order to better maintain and replace the spare parts, please keep and take it for reference. The user who is not familiar with the assembling, please contact with the wholesaler, nominated model shops and the Special after-sale service outlets.

The actual version is subject to the real standard. It would be varied because of different versions.

The spare parts, appearance of this model will be tiny revised and changed before totally upgrade into a new version, ZD reserve this rights, and no further notice.

Dongguan ZD Hobby Co., Ltd
www.zdhobby.com
Tel: +(0769)-82599502
Fax: +(0769)-82599502
Email: zdhobby@163.com



Made in china
627-104213-00-11

ZD racing

www.zdhobby.com

INTRODUCE

Thank you for choosing the ZD racing series products. Our company take the target of offering the top quality and best service. Through attending the competitions and repeated testing the products, constantly enhancing our experience, then further improving the design and quality control. Only for showing the great performance products. This manual including all the important matter before operating the car. We advise studying and knowing the control system before assembling or playing it. As well as the further upgrade and maintenance. Please feel free to consult our authorized dealer, nominated model shop or special after-sale service station if any question refer to the play or use. Our website is: www.zdobby.com. We are wholeheartedly for your service.

QUALITY ASSURANCE

Our company take the fully responsibility to the quality defect during the manufacturing process. This assurance is only subject to the product only and its spare parts.

These situation below are not included:

The breakage caused by using, assembling or adjustment.
The other breakage not related to the quality itself.

IMPORTANT STATEMENT

The Model Car is not a toy. It is the casual item combine a lot of high technology products. If using improper may bring serious damage. Please read the manual detailed before using, and keep yourself safe.

Attention: Any operation of the Model car, the manufacturer and dealers are incapable of take the responsibility of the accidents caused by wear out or abnormal assemble.

This product is provided to those who have operation remote control model car experience or a technical personnel in the guidance of the local legal field, in has to ensure the safe and correct operation under the condition of use. Our company will not accept any operation and use the control on any performance and safety responsibility

The RC products are belong to consumable goods, if disassemble, it may cause the spare parts loss, Any use of goods caused by bad or not satisfied, will not be able to replace or return, such as in case of operation maintenance problems, the company designated national distributor model shop and special after-sale service store will provide technical guidance, and special parts supply services.



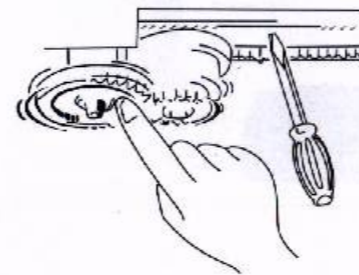
Warning: because of the neglect of these operating instructions, and use wrongly may cause property damage or serious injury.

Note: because of the neglect of these operating instructions, and use wrongly could be dangerous.

Ban: in any prohibited environment, do not try to operation.

SAFETY GUIDELINES

1. Don't operation the models close to open fires or near heat source.
2. Operation must be in the open and dry site .
3. The thunderstorm weather is forbidden to operate this product.
4. Away from the high voltage cables.
5. Some of the parts will be exothermic or burning after operated.
6. Please do not use hand or foreign body contact activities of the parts before cut off the power supply, .
7. During the operation, if foreign matter or liquid get into eyes, please timely with plenty of water flush eyes, and immediately consulting professional doctor. As the body is injured, please seek immediate medical attention.
8. Keep out of the reach of children, this is not toy, strongly suggest adult supervision.
9. Placed in ventilated and dry place, do not use, take the battery out.
10. The product items do not diet or swallowed.







Checking the packaging and accessories

Opened the packing box, please check the attached accessories are complete or incomplete. If there are omissions, please go to the seller's.

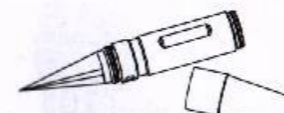

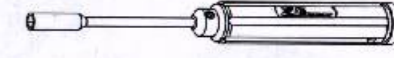

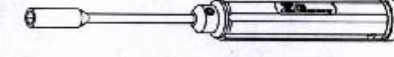





Brushless(9106)

<p>1</p>  <p>ZMT-10 Car</p>	<p>2</p>  <p>2.4G 3 channel Remote control</p>	
<p>3</p>  <p>Power Charger</p>	<p>4</p>  <p>Charger/DC 12V power wire</p>	 <p>7.4V 2400mAh 25C Li-po battery</p>





Brushed(9105)

<p>1</p>  <p>ZMT-10 Car</p>	<p>2</p>  <p>2.4G 3 channel Remote control</p>
<p>3</p>  <p>Power Charger</p>	<p>4</p>  <p>7.2V 1800mAh Ni-MH battery</p>

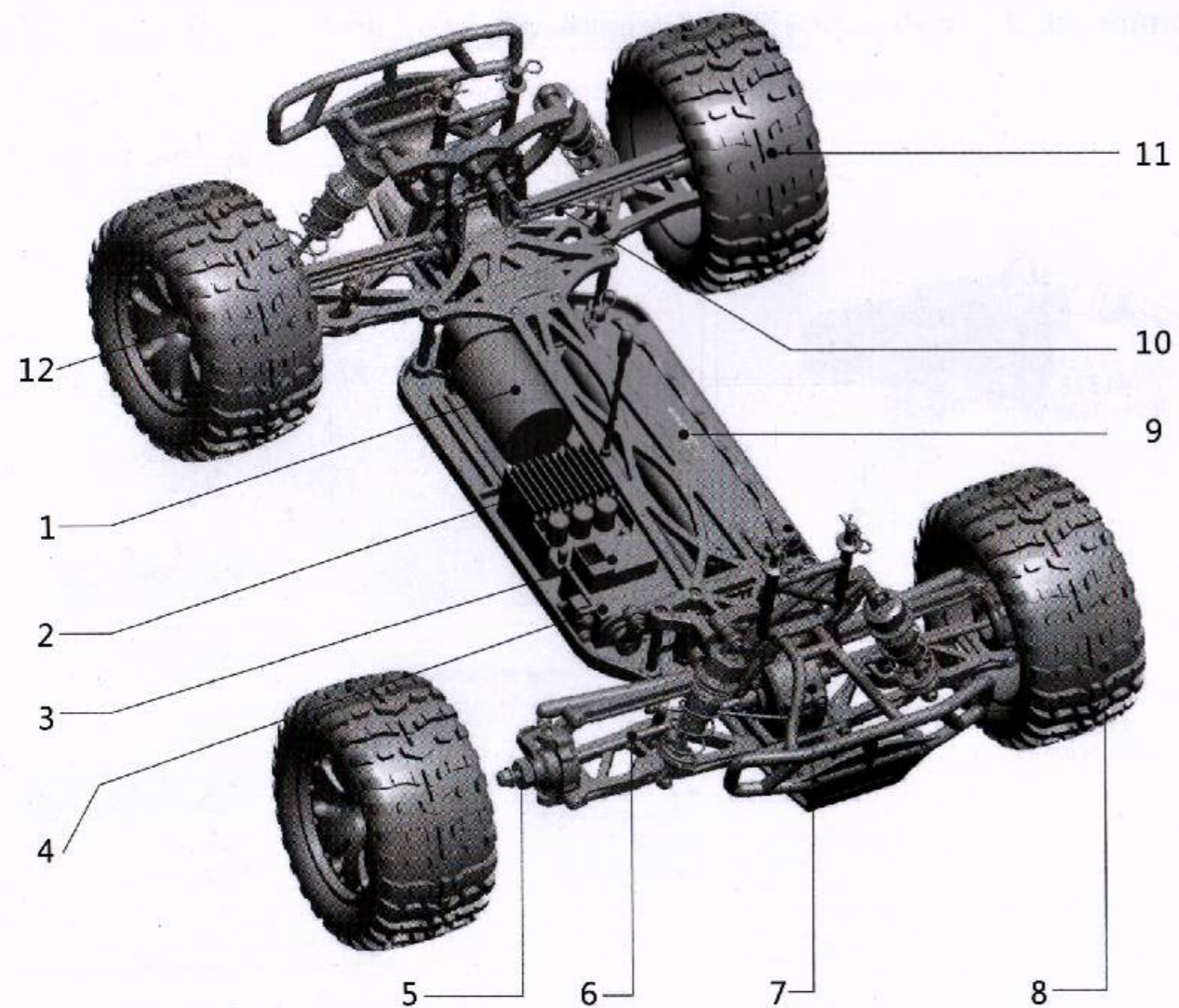
Recommended maintenance tools(not included)

 <p>#1328 Body Reamer</p>	 <p>#1330 3.0 Cross Wrench</p>	 <p>#1334 5.0 Nut Driver</p>
	 <p>#1331 1.5 Hex Wrench</p>	 <p>#1335 5.5 Nut Driver</p>
 <p>#1329 Hobby Scissors</p>	 <p>#1332 2.0 Hex Wrench</p>	 <p>#1336 7.0 Nut Driver</p>
	 <p>#1333 2.5 Hex Wrench</p>	 <p>#1337 8.0 Nut Driver</p>

Symbols used throughout the instruction manual

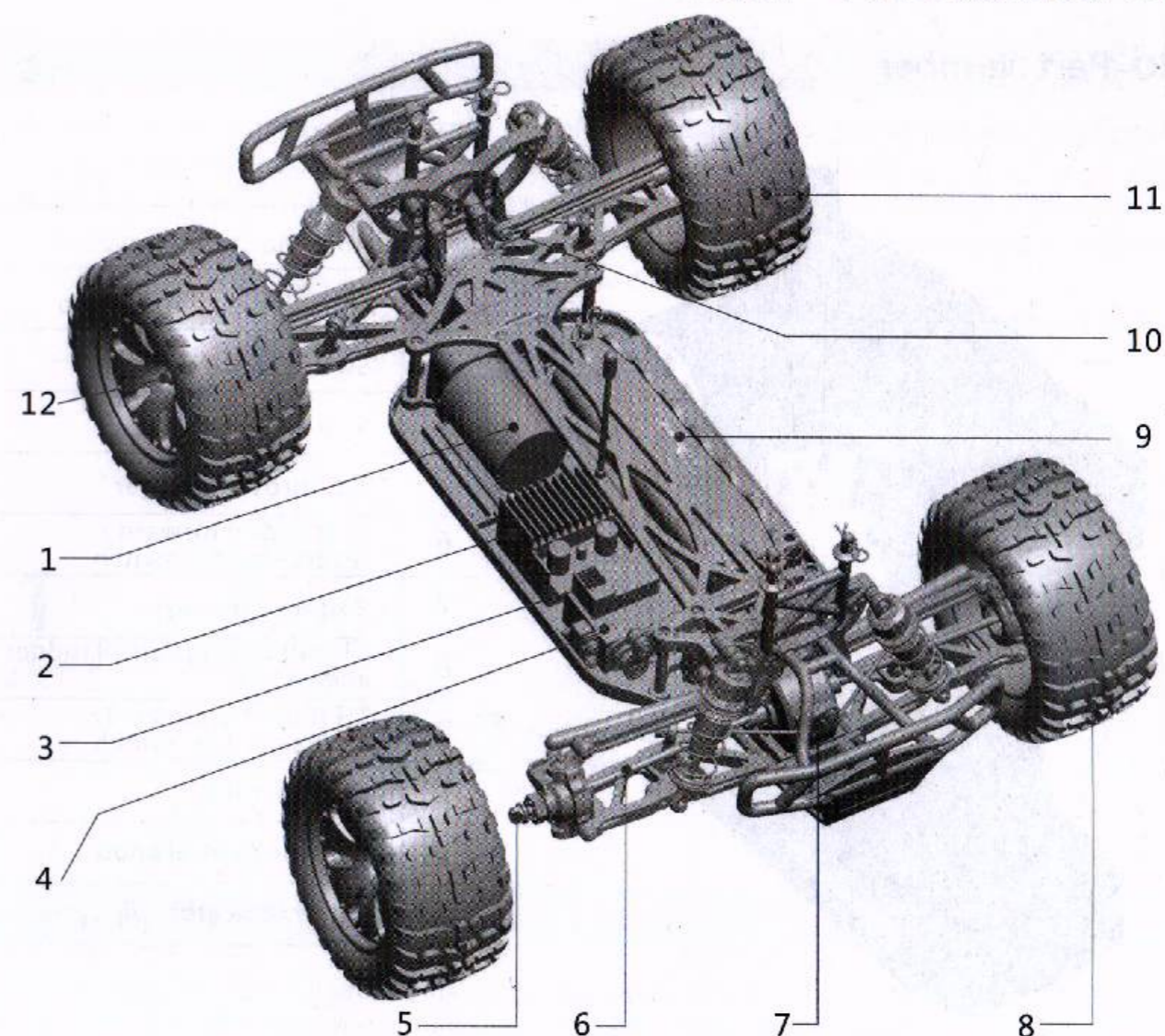
 <p>All kinds of grease (not included on the products)</p>	 <p>Apply CA glue (not included)</p>	 <p>Assemble both L/R sides</p>	 <p>Assemble both F/R sides</p>
---	---	--	--

ZMT-10 Brushless Car



1	Brushless Motor	8	Front Tire
2	Brushless ESC	9	Battery
3	Receiver	10	Drive Shaft
4	Servo	11	Rear Tire
5	Wheel Hub	12	Locknut
6	Drive Shaft		
7	Gear Box		

ZMT-10 Brushed Car



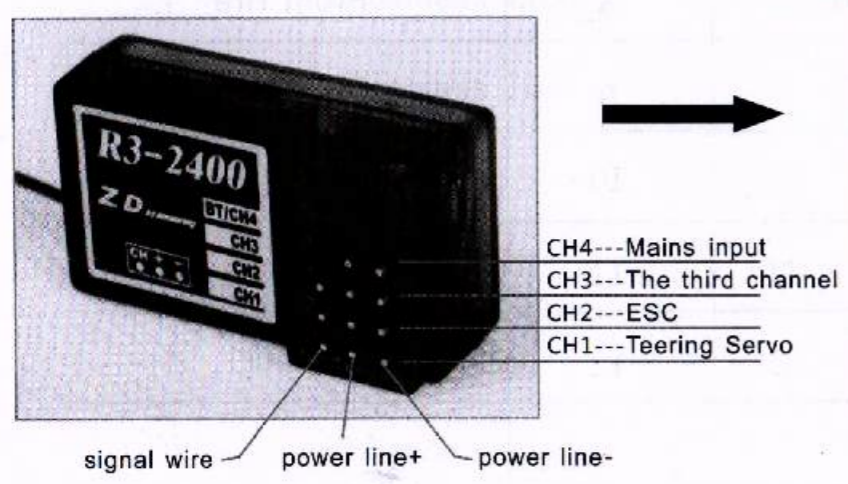
1	Brushed Motor	8	Front Tire
2	Brushed ESC	9	Battery
3	Receiver	10	Drive Shaft
4	Servo	11	Rear Tire
5	Wheel Hub	12	Locknut
6	Drive Shaft		
7	Gear Box		

RADIO-Part Number

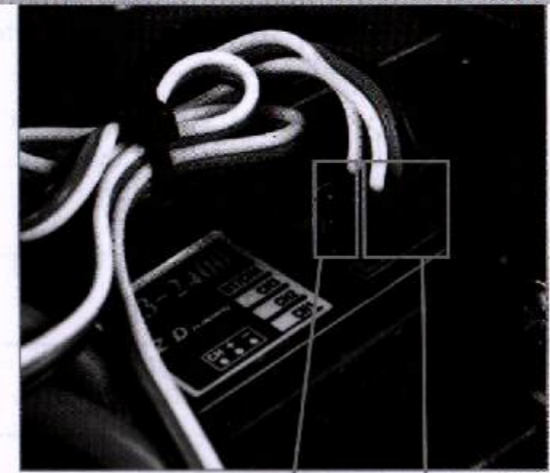


1	Antenna
2	Directional neutral knob
3	Switch of 3rd channel
4	ST (rudder) disc
5	TH (throttle) trigger
6	ST (rudder) forward / reverse rudder switch
7	Battery cartridge
8	ST (rudder) big / small rudder angle knob
9	TH (throttle)forward / reverse rudder switch
10	Power switch
11	Throttle neutral knob
12	Power indicator

The connection of receiver



(1)

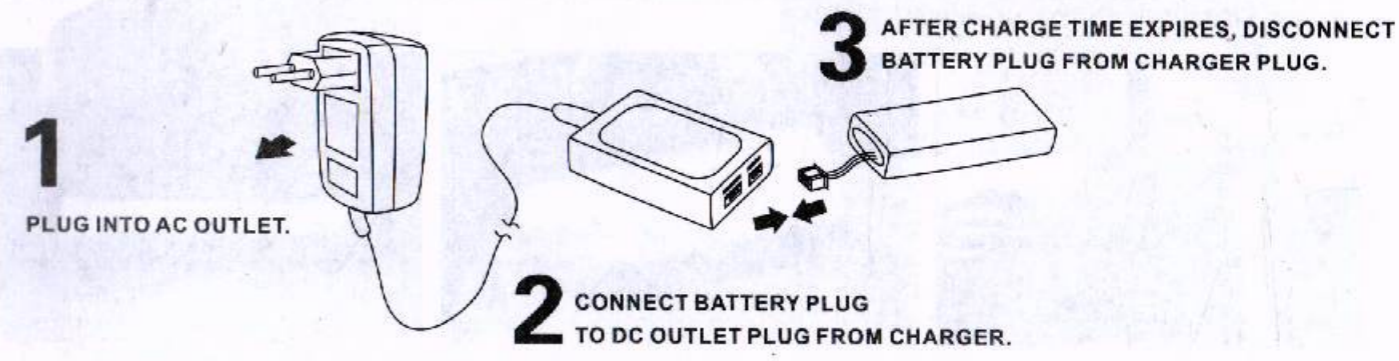


ESC Servo

(2)

CHARGING THE BATTERY PACK

- A. Once the battery ready to be charged, first plug the AC quick charger into the outlet of AC power source, and then connect the battery input/output harness to the charger.
- B. Continued to monitor the battery as it is being charged. As soon as the battery is fully charged, disconnect the battery from the charger plug (Over-charging or charging incorrectly using inadequate chargers may cause the battery pack to become dangerously hot).
- C. For best results, let the battery pack cool before charging. Heat may prevent the battery pack from charging to full capacity and also decreases the performance of the battery.



LiPo BATTERIES

Lithium Polymer (Li-Po) batteries are becoming popular for use in R/C models due to their compact size, high energy density, and high-current output. However, these types of batteries require special care and handling procedures for long life and safe operation.

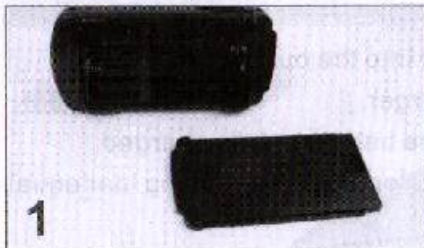
Warning: Lithium Polymer (Li-Po) batteries are intended only for advanced users that are educated on the risks associated with Li-Po battery use. THUNDER TIGER/ACE RC does not recommend that anyone under the age of 16 use or handle Li-Po battery packs without the supervision of a knowledgeable and responsible adult.

Important: Do not use NiCd/Ni-MH battery chargers for Li-PO batteries. If you do not use a special charger for Li-PO battery, they will be damaged.

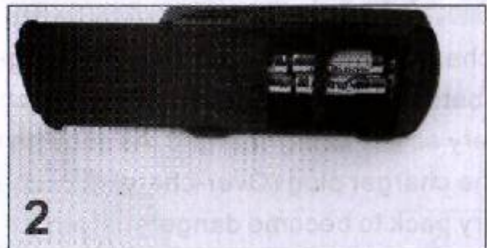
Please note! Consumers for use or installation of lipo battery in the remote control model belongs and cause any Direct or indirect damages, our company will not bear any legal liability.

Racing Operation Steps

Racing Steps



1 Open the cap of the radio

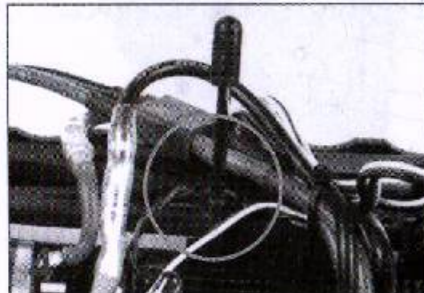


2 Put 4 AA batteries into the battery tank (Please note the Positive and Negative)



3 Cover the cap of the radio

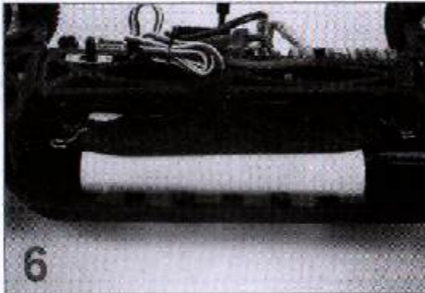
Note: 1. In order to get the better control effect, we recommend you to use AA1.5 V alkaline batteries (not included in the product), the ratio of 1.2 V rechargeable battery effect is better. 2. Battery if installation errors of the pole, or long time no management will lead leakage. 3. Do not use the old battery and new battery hybrid together. 4. If long time idle, do not leave the battery in the remote control.



4 Properly installed antenna tube



5 put the battery into the battery tank



6 cover the battery box



7 Adjust the throttle, steering vernier adjustment knob button to median (MID) direction .big/small rudder Angle knob button to 120%



8 Be sure to first open the remote control power, and then open the model car power supply, switch on the power, the motor delivering a diz ~ diz ~ ~ sounds, it means the motor for standby state. open radio button, the motor will begin to run.



9 Put out the battery

Finish racing note



10 Turn off the ESC and disconnect the power plug.



11 Turn off the radio

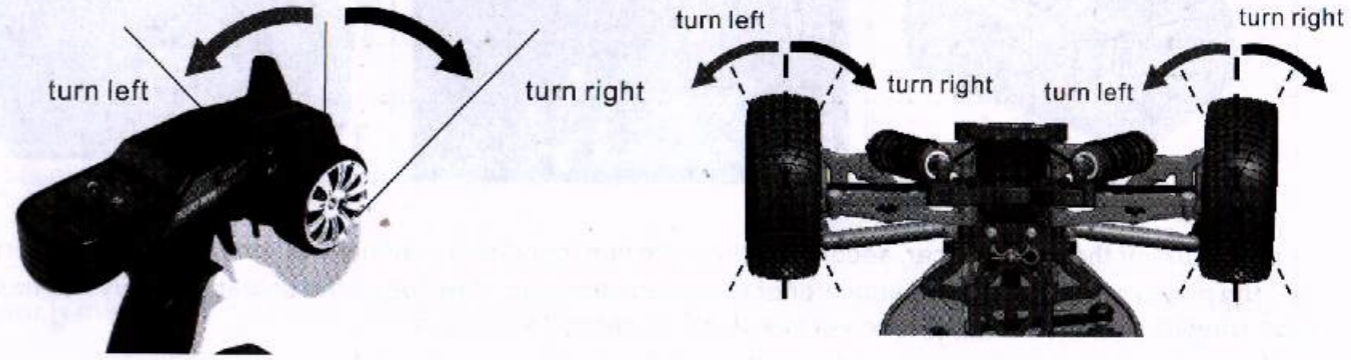


12 Put out the battery

The adjustment of Radio

First open the transmitter power, connect the Lipo battery power output plugs and electronic governor power input plug. Then turn on the ESC. (The 1 ps 7.4 V battery on the car, when turning on the power supply must pay attention to the positive and negative pole), hearing the tone or the power indicator light is lit.

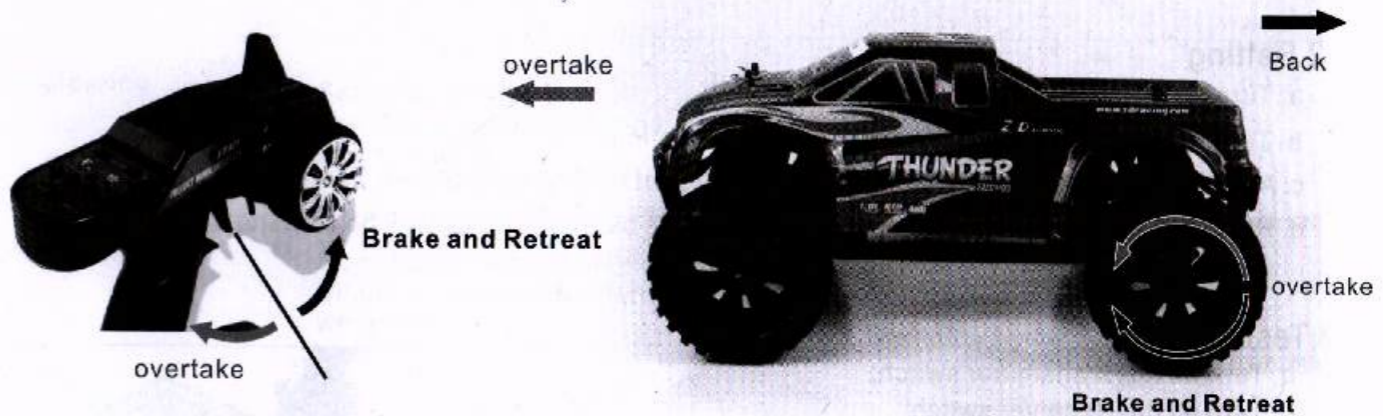
Steering operation guide



1) slowly rotating around the steering wheel, the car will be slow to the right or to the left accordingly (when there is no consistent please toggle on the remote control ST direction and rudder switch).
2) when the cars can't run straight, you can adjust te direction of the remote control on the median knob, until the vehicle can run straight.

- ◆ Adjust the Median trimming to keep the front wheel in the center position
- ◆ When testing the diversion of the car, please keep the front wheel hang in the air.

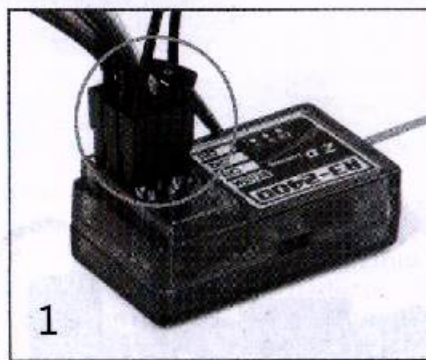
Throttle operation



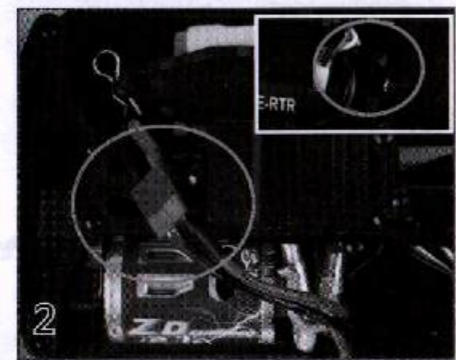
(1) Slowly press the throttle operation lever, the cars will be slow to overtake.
(2) When the throttle lever to push up, the car will be braking action. when making brake - median - brake action, the car will make back action. when there is not consistent, please strike on the remote control of TH (oil Door) and rudder switch.
(3) When the throttle machine didn't do any action, wheels appear to be automatic forward or backward rotation, you can adjust the throttle median knob on the remote control, until the car static.
(4) When press the throttle lever, but the car no any reaction (perhaps with diz diz diz ~ ~ ~ the buzzing sound), but the rudder function is normal, it shows that the car drive system get into safe mode, now please correct TH (throttle) a knob, until the gas operation normal or buzzing sound stop.

Recode match Steps

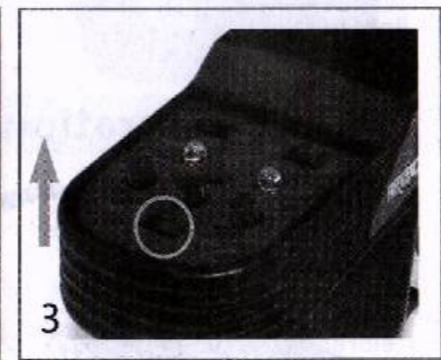
Insert the code line



Turn on the ESC



Open the receiver power supply



First, turn off the power of car, second, let the code line insert into channel 3 of the receiver, third, turn on the power of the car, the red indicator of receiver is flashing, then, open the power of receiver, it flashes too, when the indicator on the receiver keeps on, showing it succeeds.

FAIL SAFE FUNCTION

1. Function

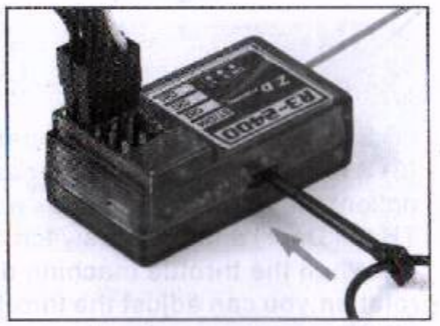
Failsafe aims to prevent out-of-control driving of RC Car or RC Boat. If the Receiver is not able to receive any signal, from the control to Throttle, the parameter of Throttle on Receiver will turn back to its original setting.

2. Setting

- a. Turn on the Transmitter switch;
- b. Turn on the Receiver switch, the LED will be lighting;
- c. Adjust Transmitter's Throttle, make the car/boat to stop or flameout, then keep still.
- d. Press the "Setting" button on Receiver (as the pic below), the LED will be flashing, then stop after 3 seconds around, which means setting finished.

3. Testing

- a. Turn on the Transmitter switch;
- b. Turn on the Receiver switch;
- c. Turn off the Transmitter switch;
- d. Servo of Throttle will turn back to its original setting automatically;
- e. Setting is successful if above procedures finished completely.







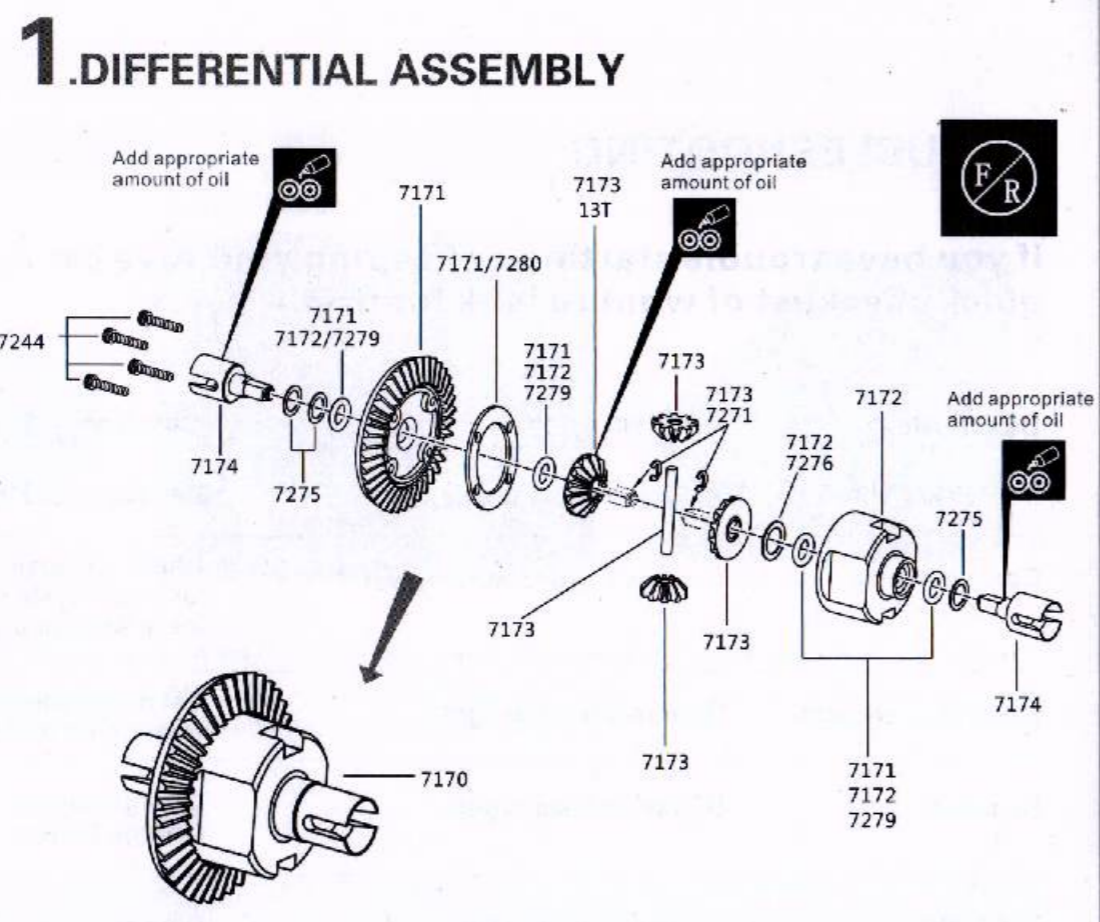
TROUBLESHOOTING



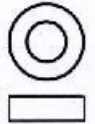


If you have trouble starting or keeping your love car running, here's a quick checklist of what to look for first.

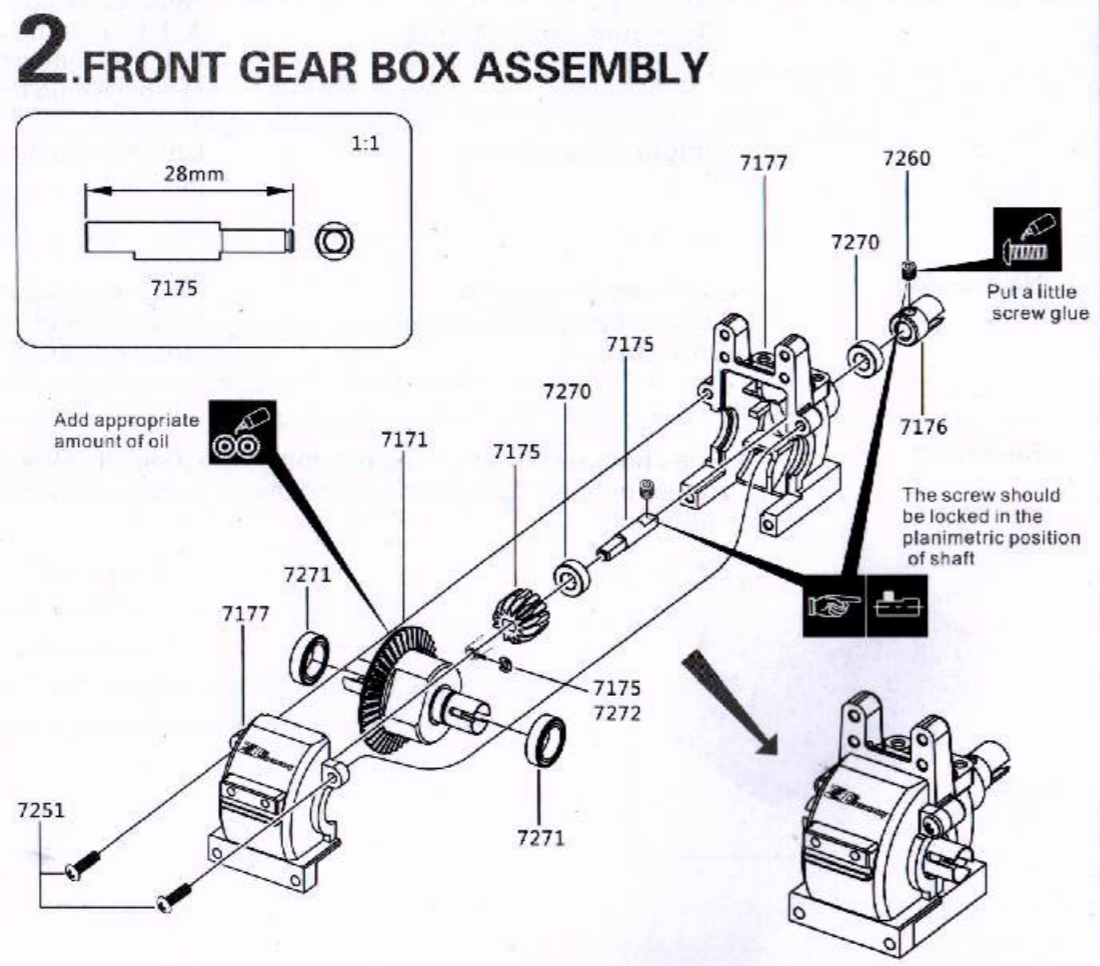
Description	Problem	Solution
Car dies or slows	Speed control over heats	Let it cool and try later
Car is glitching	Car has a problem on power	Check for loose wires, dead radio batteries or loose crystals. Check motor capacitors, loose wires or crystals.
Motor is overheats	Gear mesh is too tight	Let motor cool and check recommended gearing for motor type. Reset gear mesh
No power	Battery is discharged	Charge battery Charge battery
No throttle	Motor not plugged in Motor failure No throttle, only steering	Plug motor in Replace motor A-T-L function works; turn off the vehicle first and follow the guide to turn on the radio. (Radio first, vehicle second!!!)
	Motor keeps running	Check if the throttle trim knob is in neutral position.
No steering	Servo not plugged in Locked up steering linkage Servo failure	Plug servo into ESC unit Free up steering linkage Replace servo
Reversing	Goes backwards when you pull the trigger or goes right when turning the wheel left	Check throttle / steering reversing switches on transmitter

1:1 Scale





-  x8
7244
M2x10 Socket Cap Screw
-  x2
7276
φ10xφ5.5x0.3 Washers
-  x6
7275
φ8xφ5.1x0.3 Washers
-  x4
7272
E button φ2.5x0.4

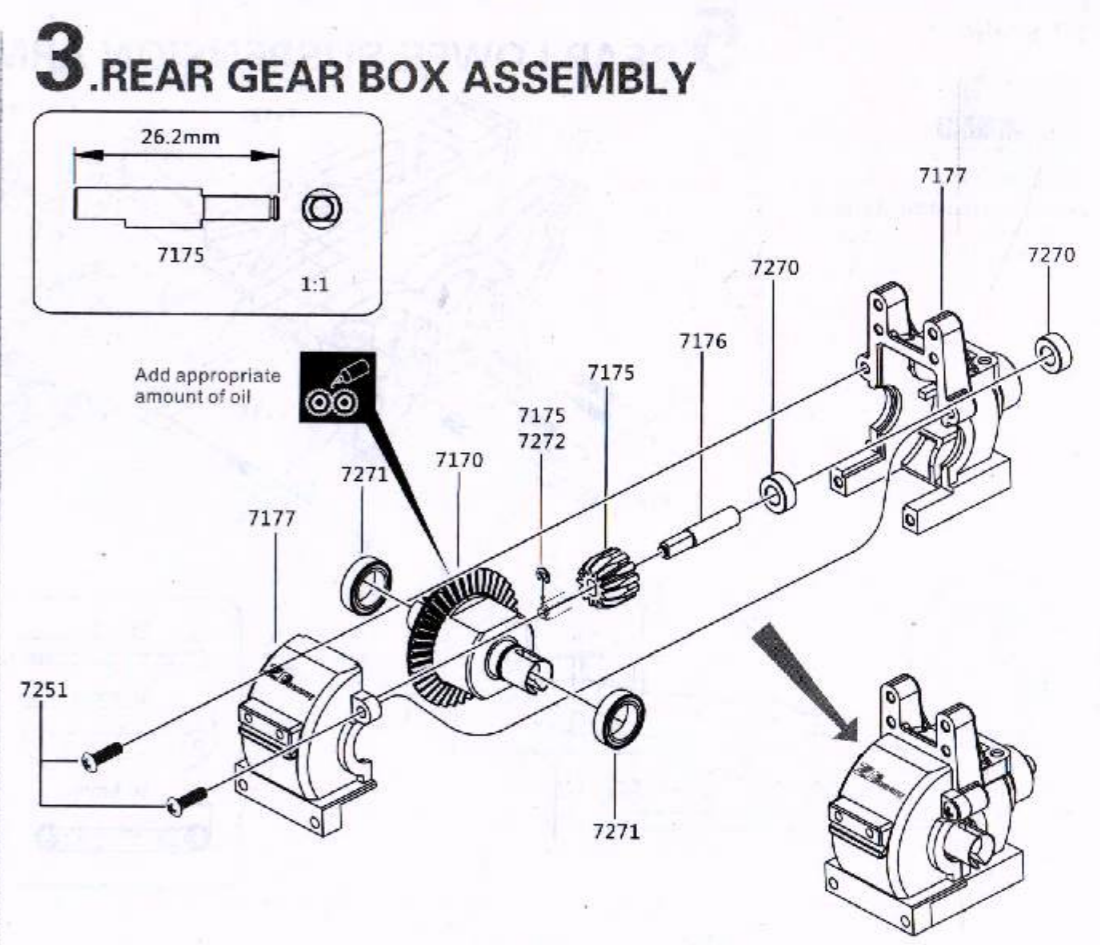


-  x2
7251
M3X10 Pan Self-tapping Screw Set
-  x2
7271
Ball bearing φ15x10x4
-  x2
7270
Ball bearing φ10x5x4
-  x1
7260
Set Screw M4x4
-  x1
7272
E button φ2.5x0.4

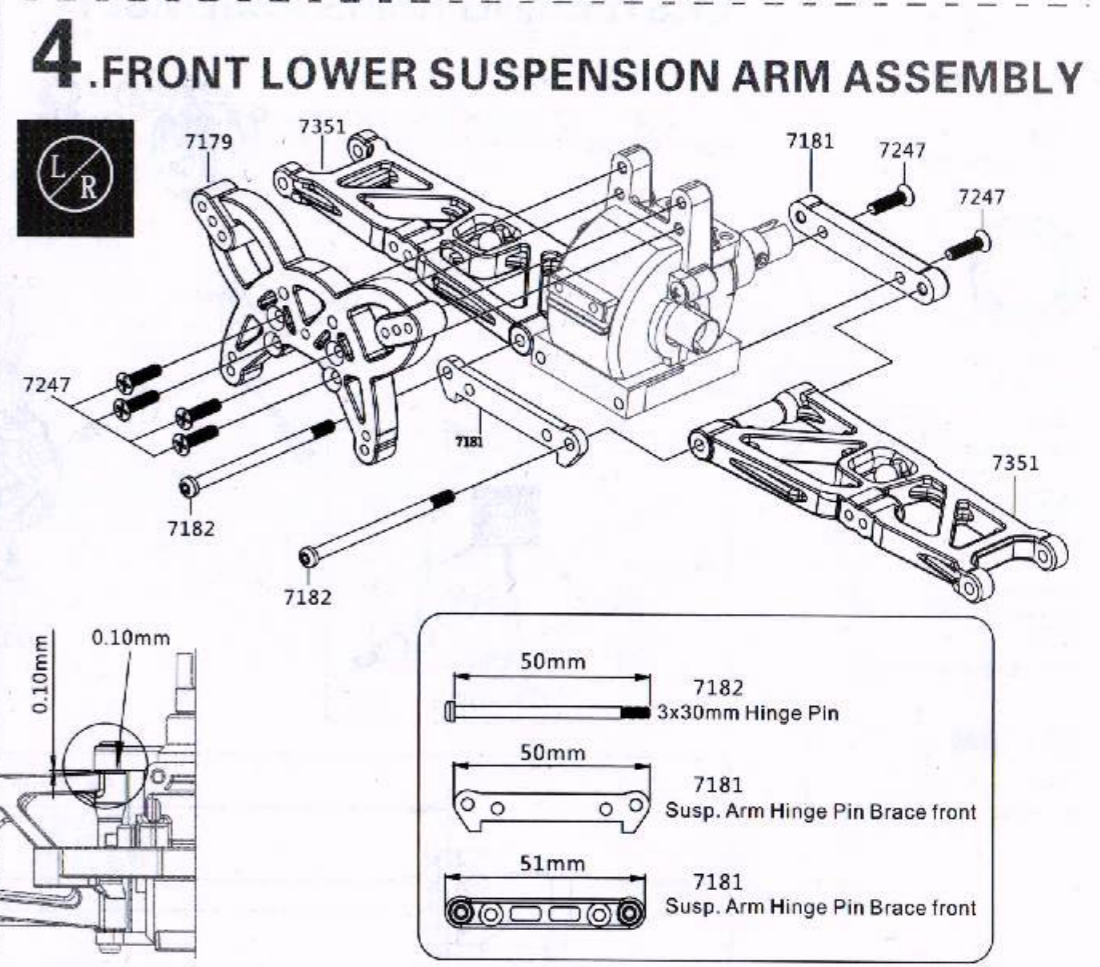


1:1 Scale

-  x2
7251
M3X10 Pan Self-tapping Screw Set
-  x2
7271
Ball bearing φ15x10x4
-  x2
7270
Ball bearing φ10x5x4
-  x1
7272
E button φ2.5x0.4



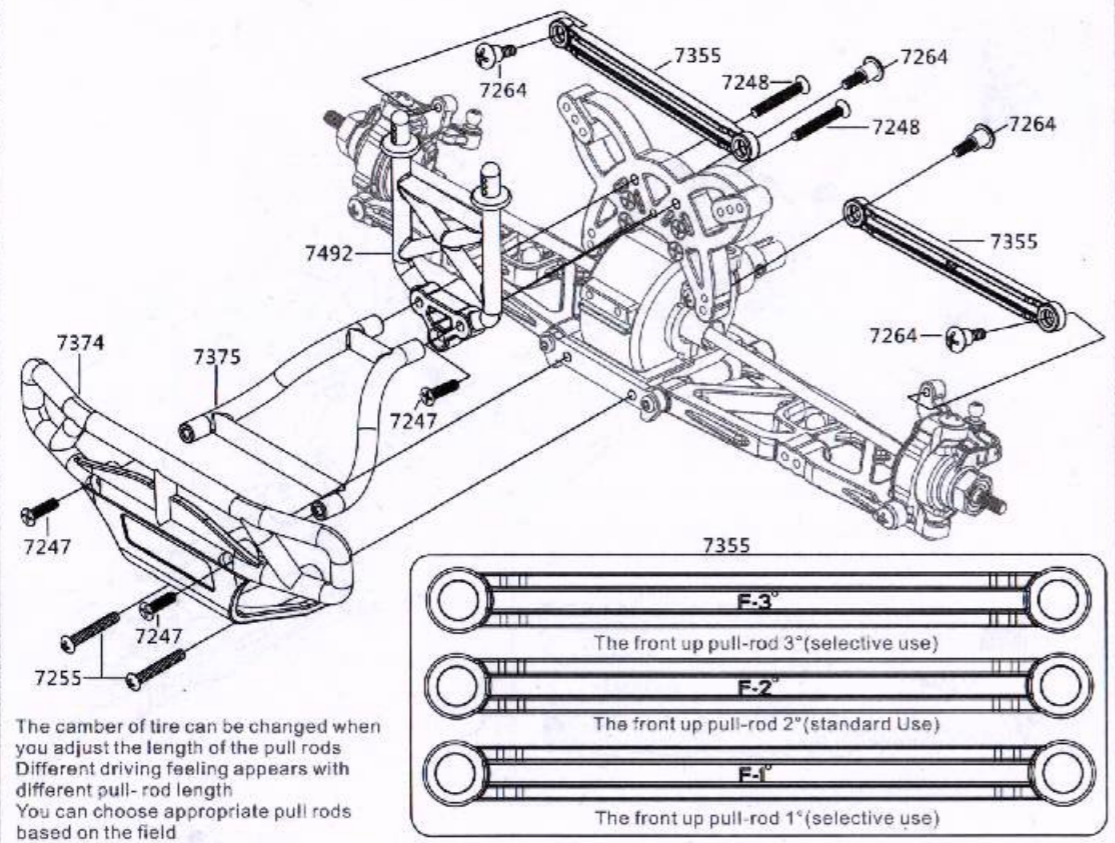
-  x6
7247
M3X12 Flat Head Self-tapping Screw Set



1:1 Scale

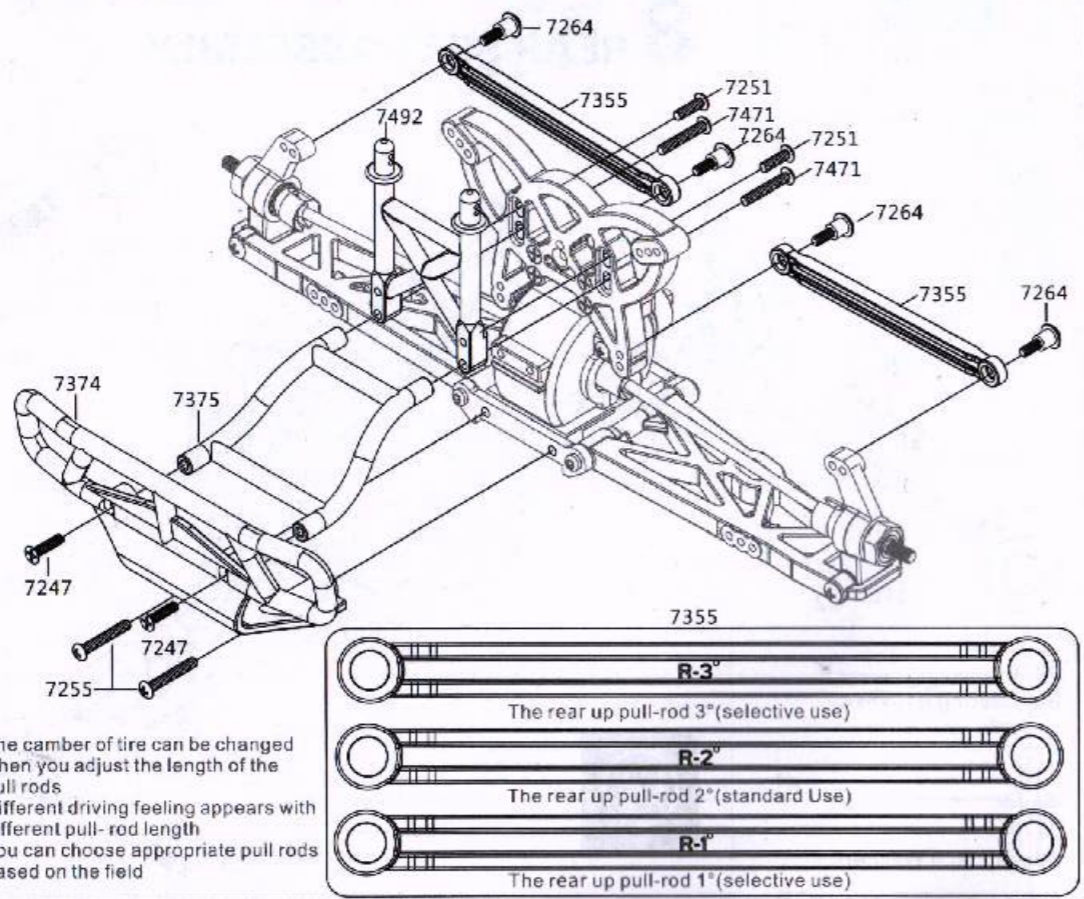
9. FRONT BUMPER ASSEMBLY

-  x4
7264
M3x4.8 Screw rod
-  x2
7247
M3X12 Flat Head Self-tapping Screw Set
-  x2
7255
M3X20 Pan Self-tapping Screw Set
-  x2
7248
M3X20 Flat Head Self-tapping Screw Set





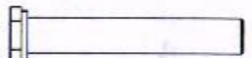
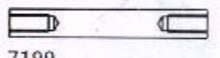
10. REAR BUMPER ASSEMBLY

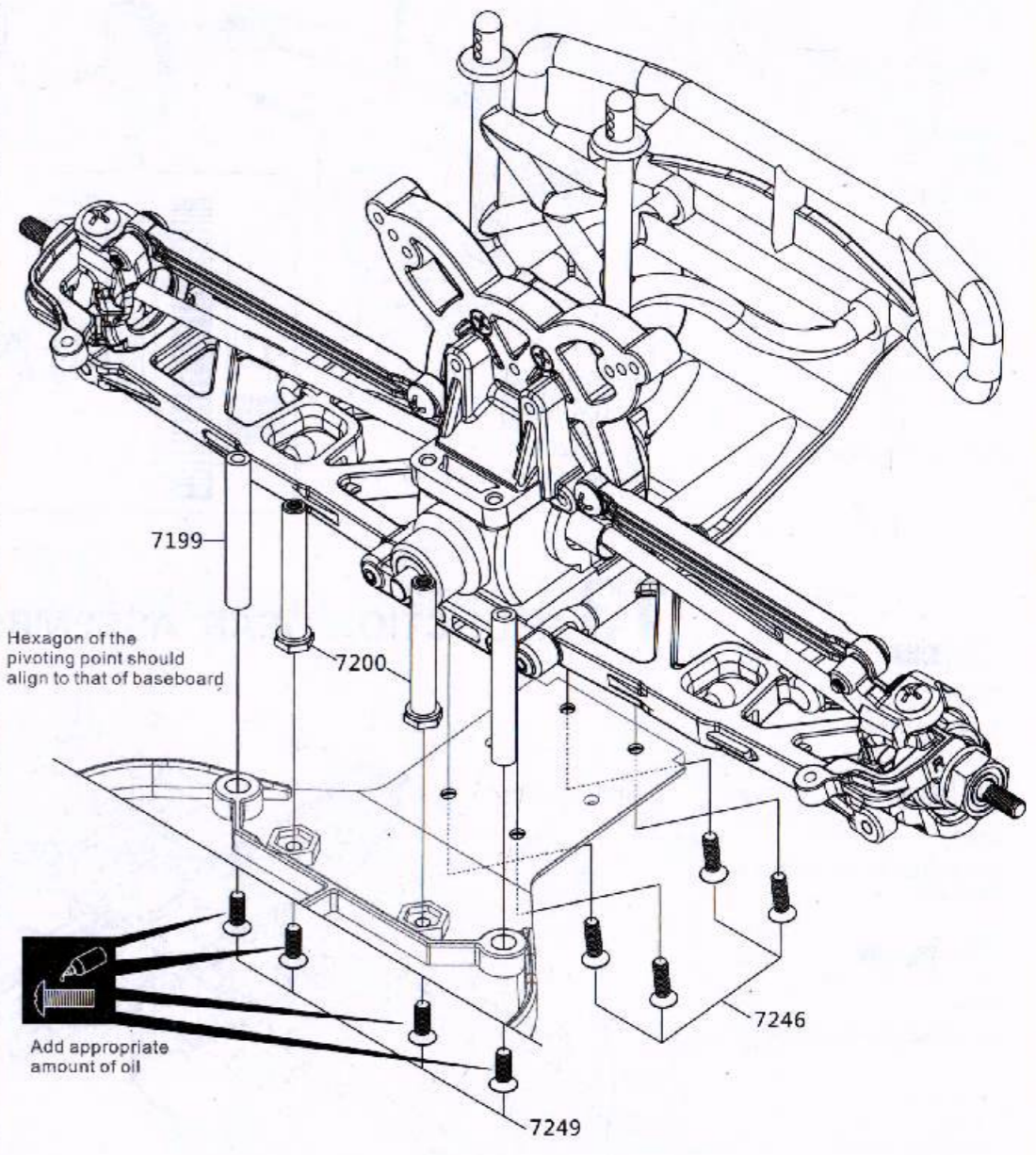
-  x4
7264
M3x4.8 Screw rod
-  x2
7251
M3X10 Pan Self-tapping Screw Set
-  x2
7247
M3X12 Flat Head Self-tapping Screw Set
-  x2
7471
M3X18 Pan Self-tapping Screw Set
-  x2
7471
M3X20 Pan Self-tapping Screw Set



1:1 Scale






11. THE ASSEMBLING OF THE UPPER DECK PILLAR, PIVOTING POINT AND CHASSIS

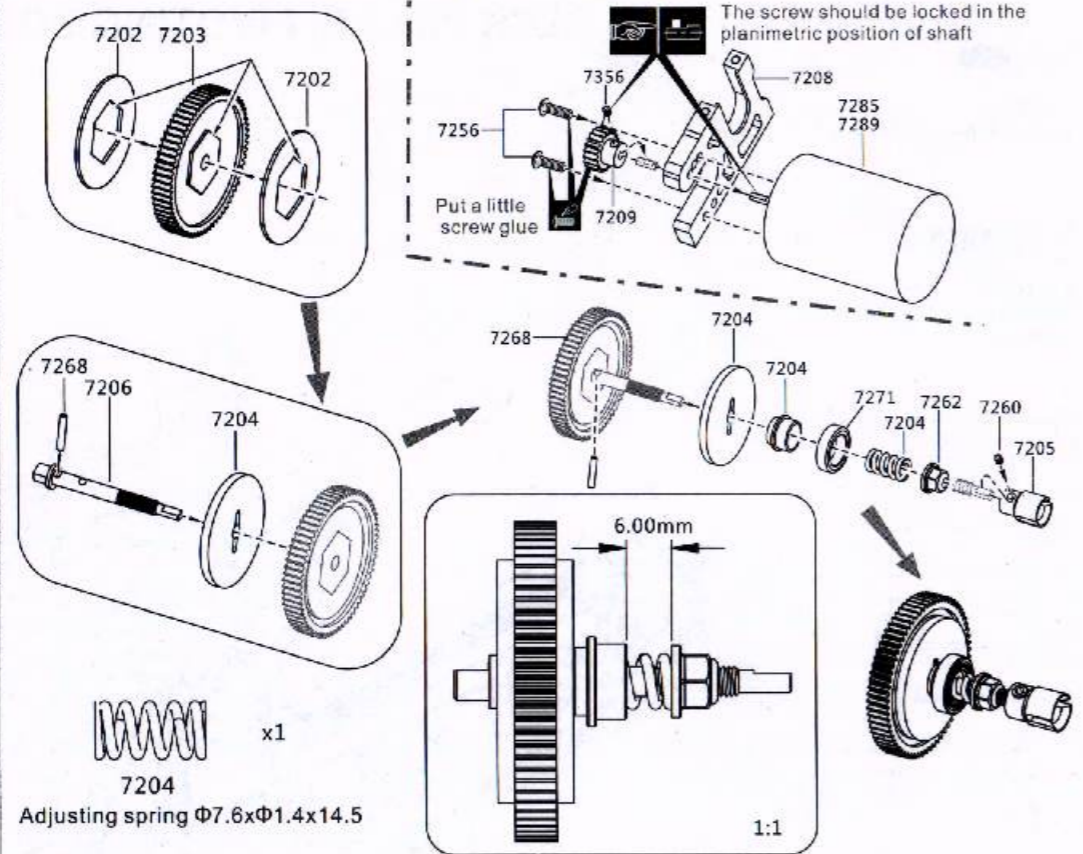
-  x4
7249
M3X8 Flat Head Screw Set
-  x4
7246
M3X10 Flat Head Self-tapping Screw Set
-  x2
7200
Servo Saver Post
-  x2
7199
Aluminium strut



1:1 Scale

12. REDUCTION GEAR AND MOTOR ASSEMBLY

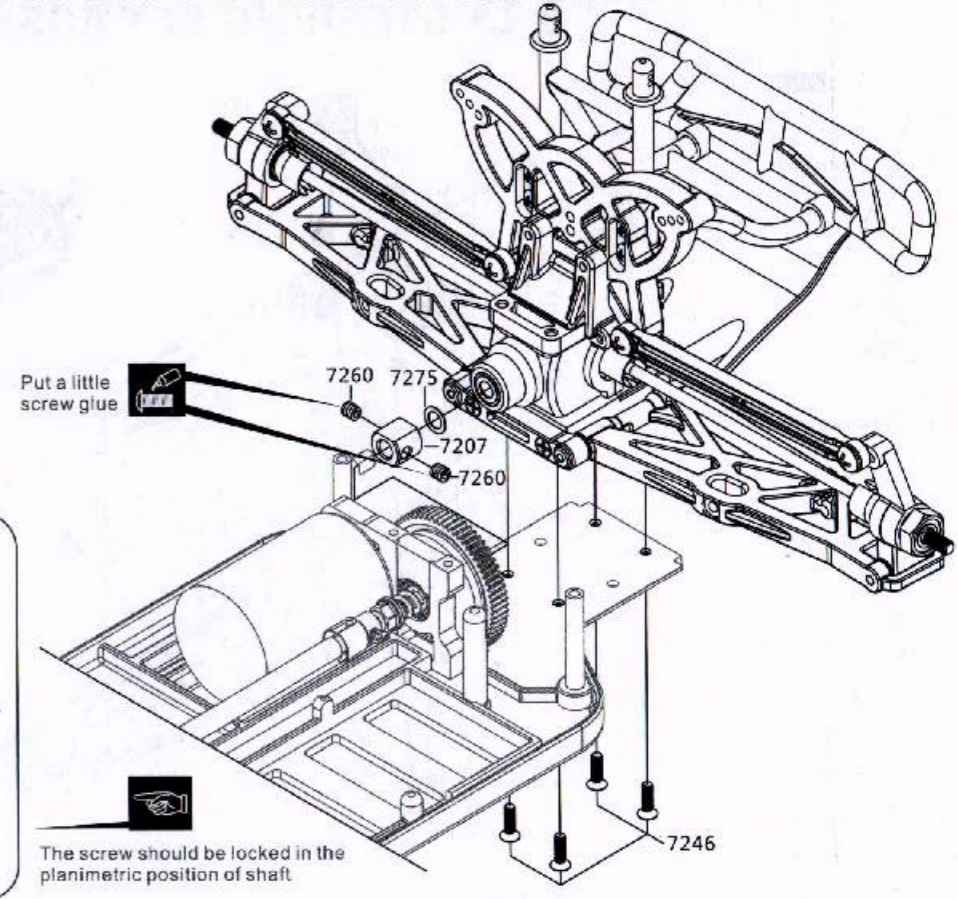
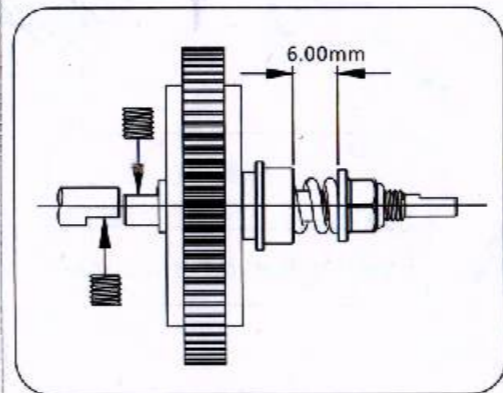
-  x1
7260 Set Screw M4x4
-  x2
7256 M3X8 Pan Head Screw Set
-  x1
7262 Lock Nut M4
-  x2
7271 Ball bearing $\phi 15 \times 10 \times 4$
-  x1
7204 Adjusting spring $\Phi 7.6 \times \Phi 1.4 \times 14.5$






1:1 Scale

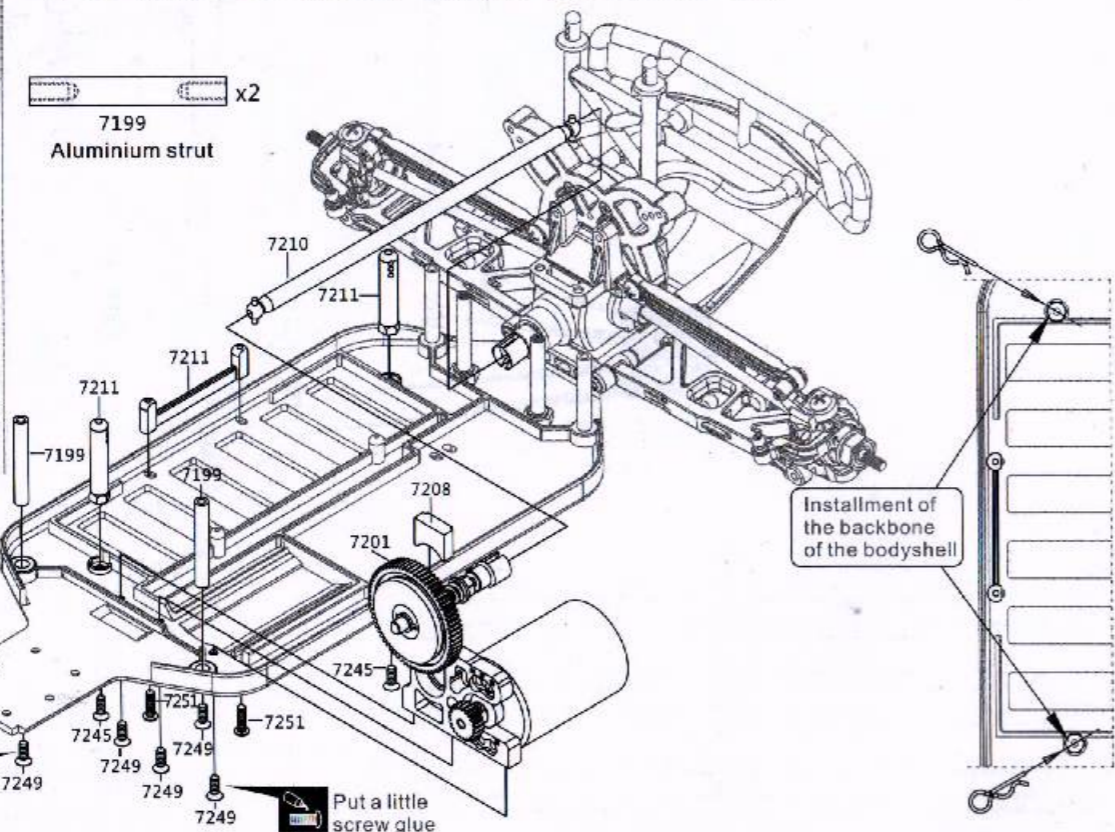
14. REAR SUSPENSION ASSEMBLY

-  x2
7260 Set Screw M4x4
-  x6
7275 $\phi 8 \times \phi 5.1 \times 0.3$ Washers
-  x4
7246 M3X10 Flat Head Self-tapping Screw Set



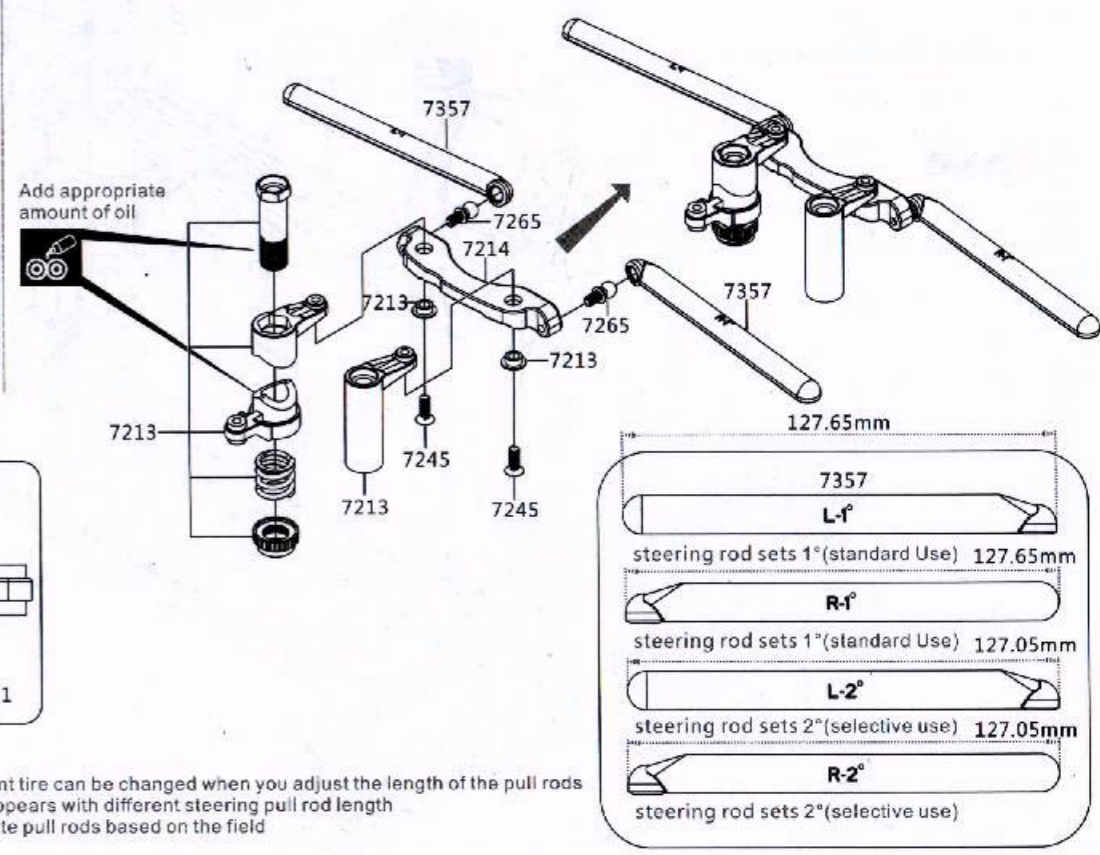
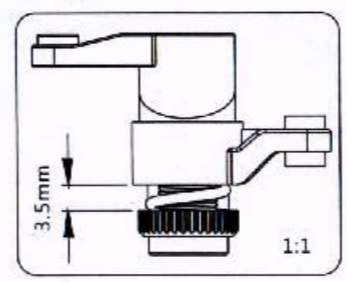
-  x5
7249 M3X8 Flat Head Screw Set
-  x2
7245 M3X8 Flat Head Self-tapping Screw Set
-  x2
7251 M3X10 Pan Self-tapping Screw Set

13. REDUCTION GEAR ASSEMBLY



15. STEERING ASSEMBLY

-  x2
7245 M3X8 Flat Head Self-tapping Screw Set
-  x2
7265 Steering Ball Screws $\phi 4.7 - M3$



The toe-in angle of the front tire can be changed when you adjust the length of the pull rods
Different driving feeling appears with different steering pull rod length
You can choose appropriate pull rods based on the field

1:1 Scale

16. STEERING SET ASSEMBLY



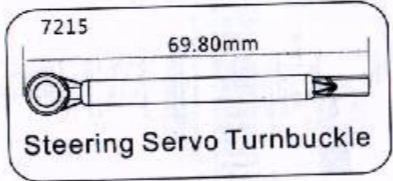
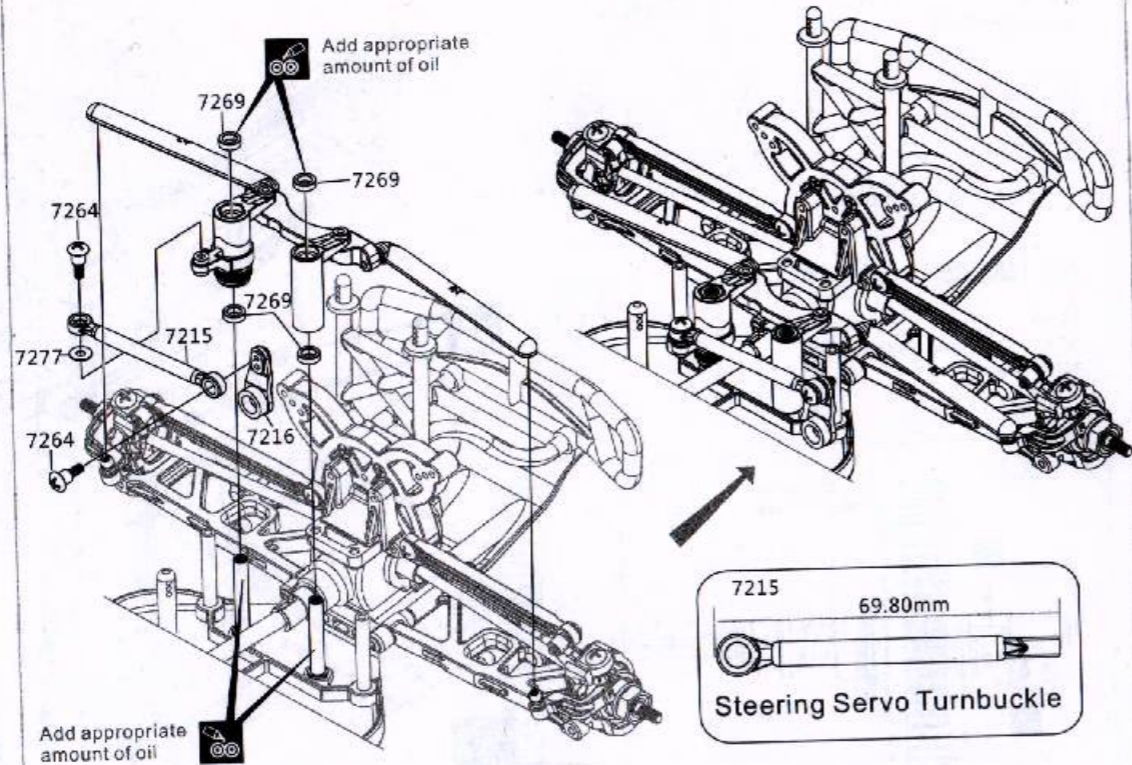
7264
M3x4.8 Screw rod

x4



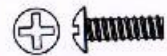
7269
Ball bearing $\phi 8 \times 5 \times 2.5$

x4



Add appropriate amount of oil

17. UPPER DECK ASSEMBLY



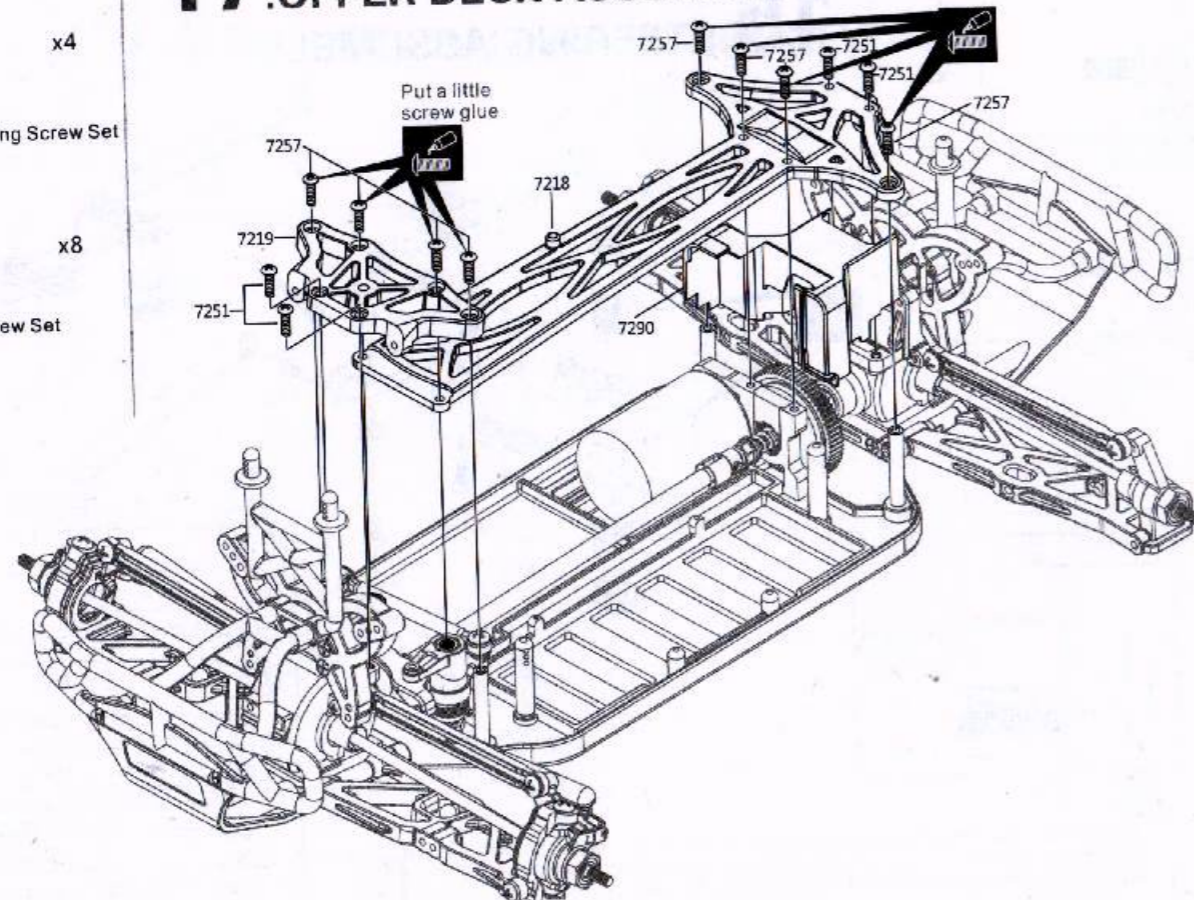
7251
M3X10 Pan Self-tapping Screw Set

x4



7257
M3X10 Pan Head Screw Set

x8



1:1 Scale



7261
Lock Nut M2.5

x2



7273
Ball Head Set

x4



7228
 $\phi 7.9 \times 2.5$

x2



7228
 $\phi 9.5 \times 2$

x2

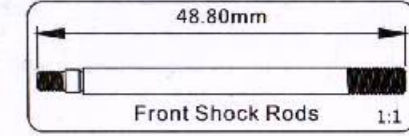
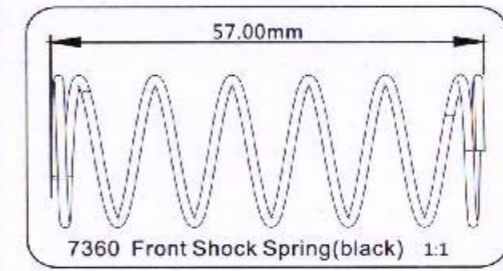
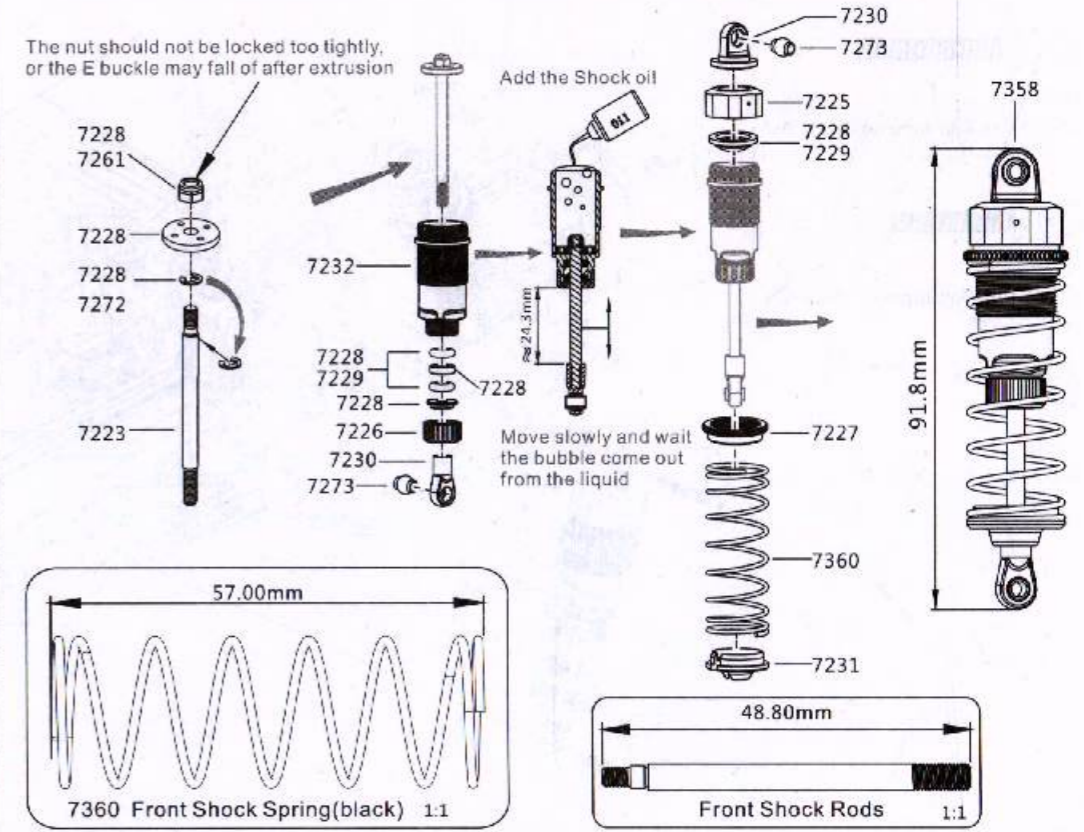


7228/7229
 $\phi 8.1 \times \phi 3.35$

x4

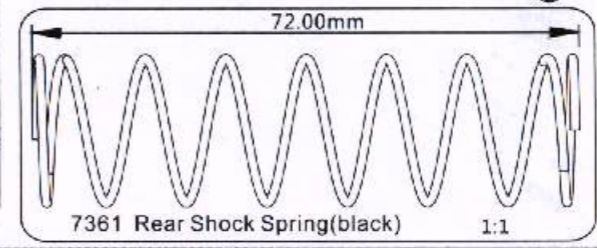
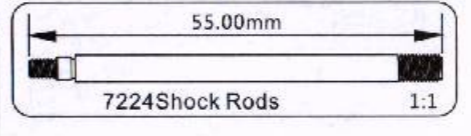
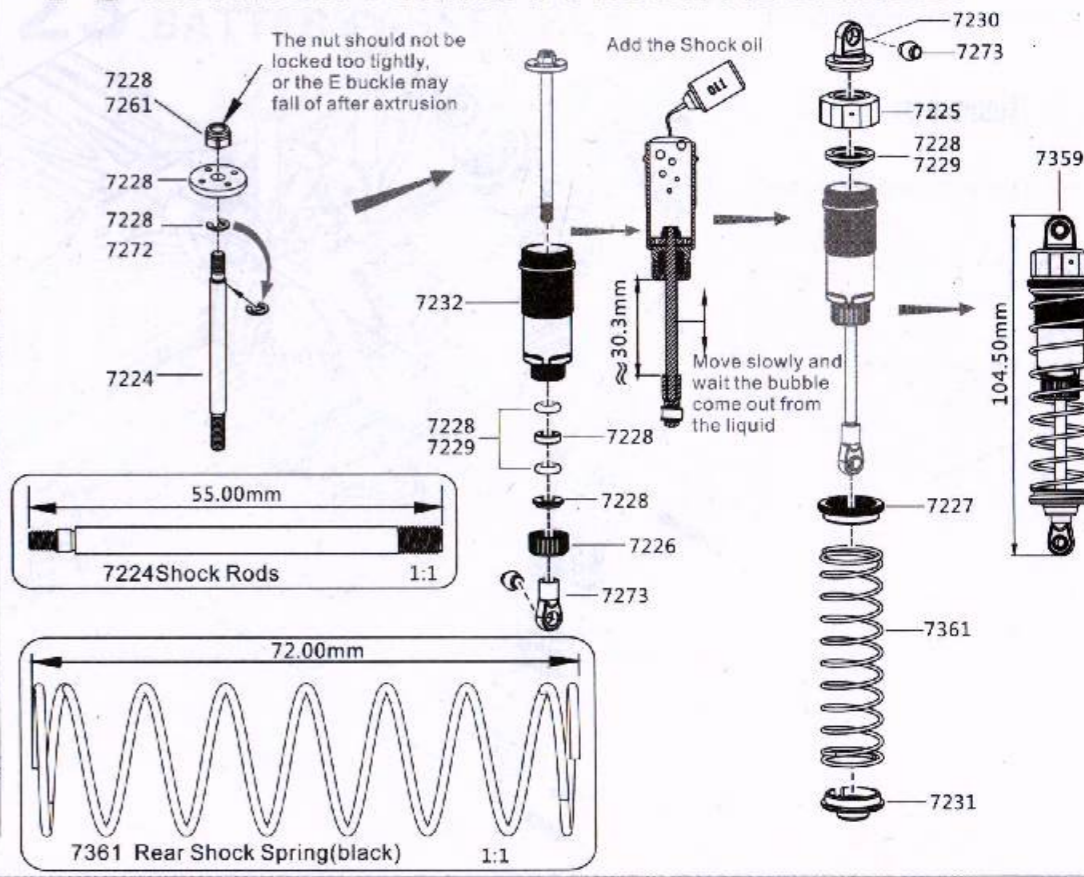
18. FRONT SHOCK ABSORBER ASSEMBLY

The nut should not be locked too tightly, or the E buckle may fall off after extrusion



19. REAR SHOCK ABSORBER ASSEMBLY

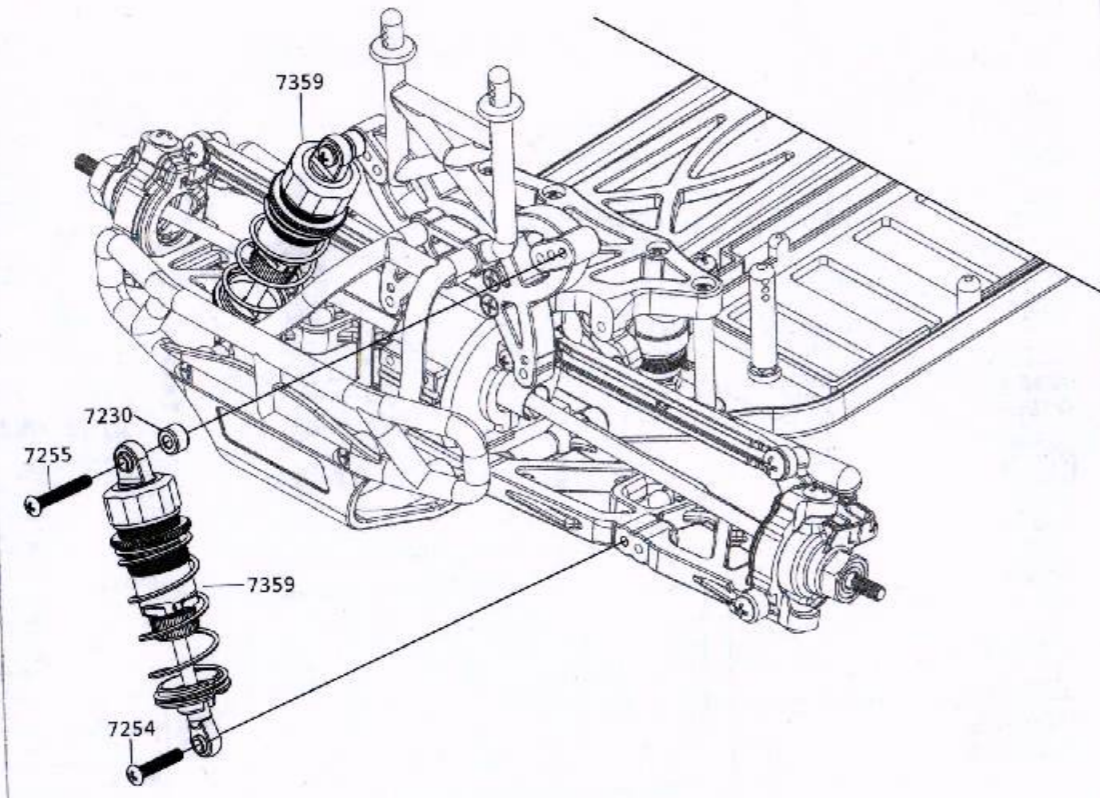
The nut should not be locked too tightly, or the E buckle may fall off after extrusion








1:1 Scale

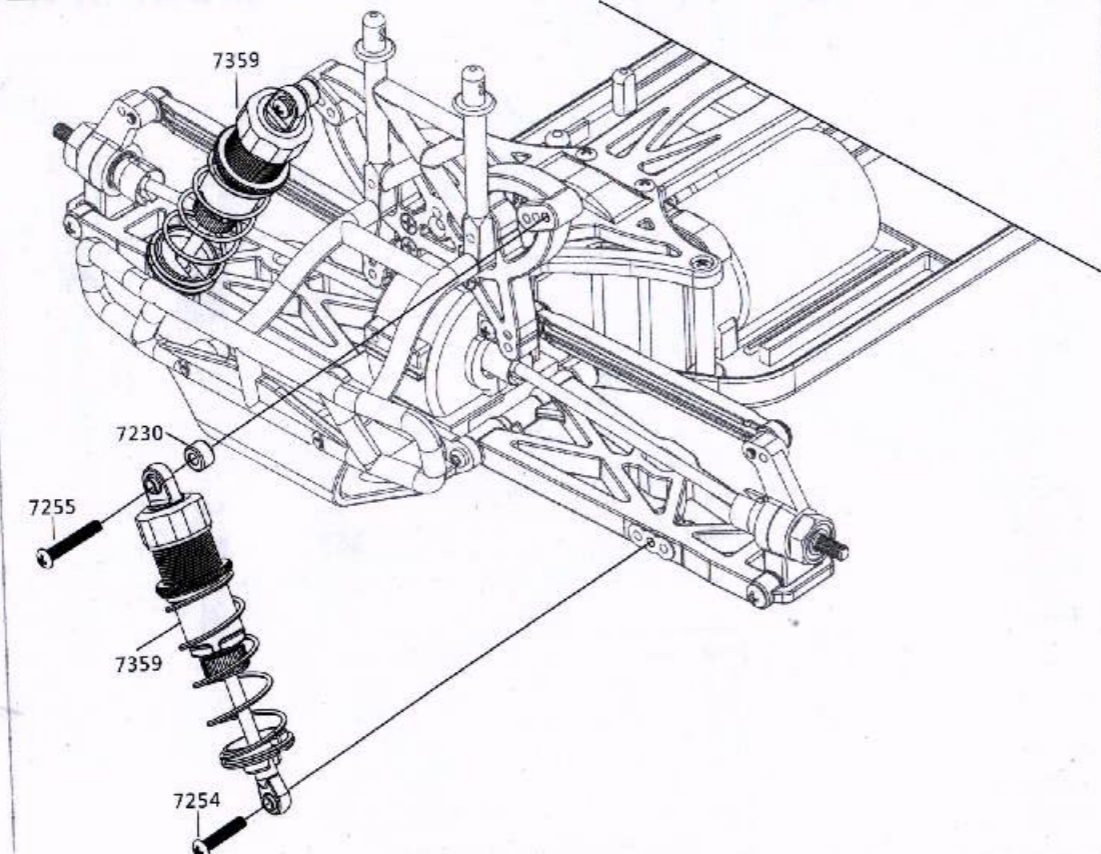
20. FRONT SHOCK ABSORBER ASSEMBLY

-   x2
7255
M3X20 Pan Self-tapping Screw Set
-   x2
7254
M3X16 Pan Self-tapping Screw Set
-  x2
7230
Shock End Set $\Phi 7 \times 4.5$



-   x2
7255
M3X20 Pan Self-tapping Screw Set
-   x2
7254
M3X16 Pan Self-tapping Screw Set
-  x2
7230
Shock End Set $\Phi 7 \times 4.5$

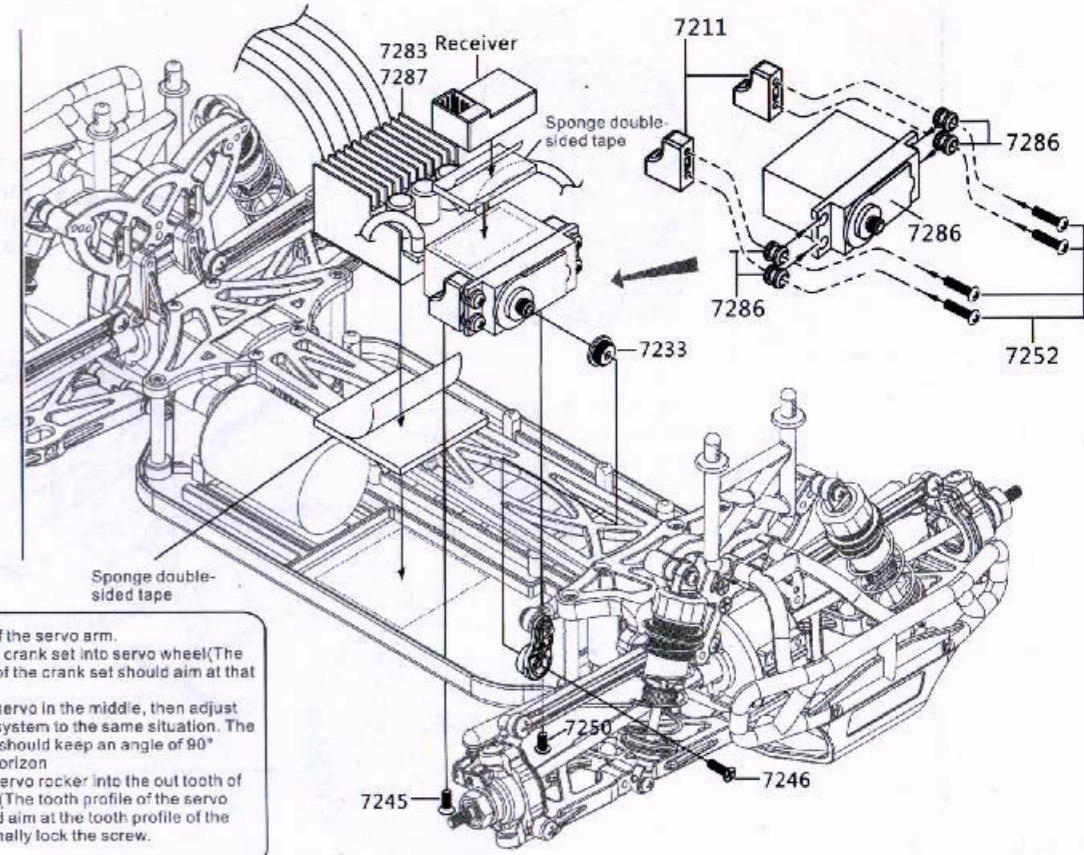
21. REAR SHOCK ABSORBER ASSEMBLY



1:1 Scale

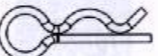
22. SERVO\ESC\RECEIVER ASSEMBLY

-   x4
7252
M3X12 Pan Self-tapping Screw Set
-   x1
7245
M3X8 Flat Head Self-tapping Screw Set
-   x1
7250
M3X6 Pan Self-tapping Screw Set
-   x1
7246
M3X10 Flat Head Self-tapping Screw Set

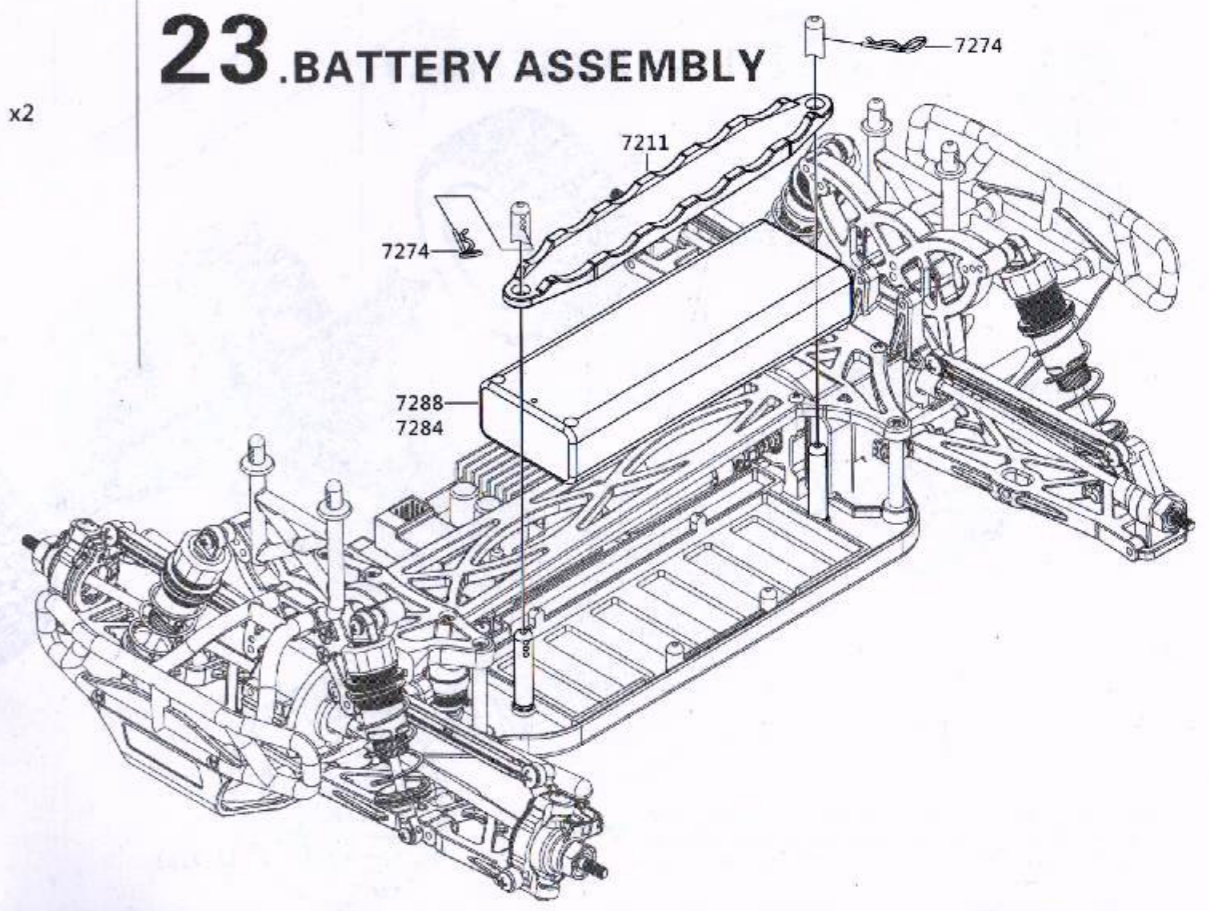


Installation of the servo arm.

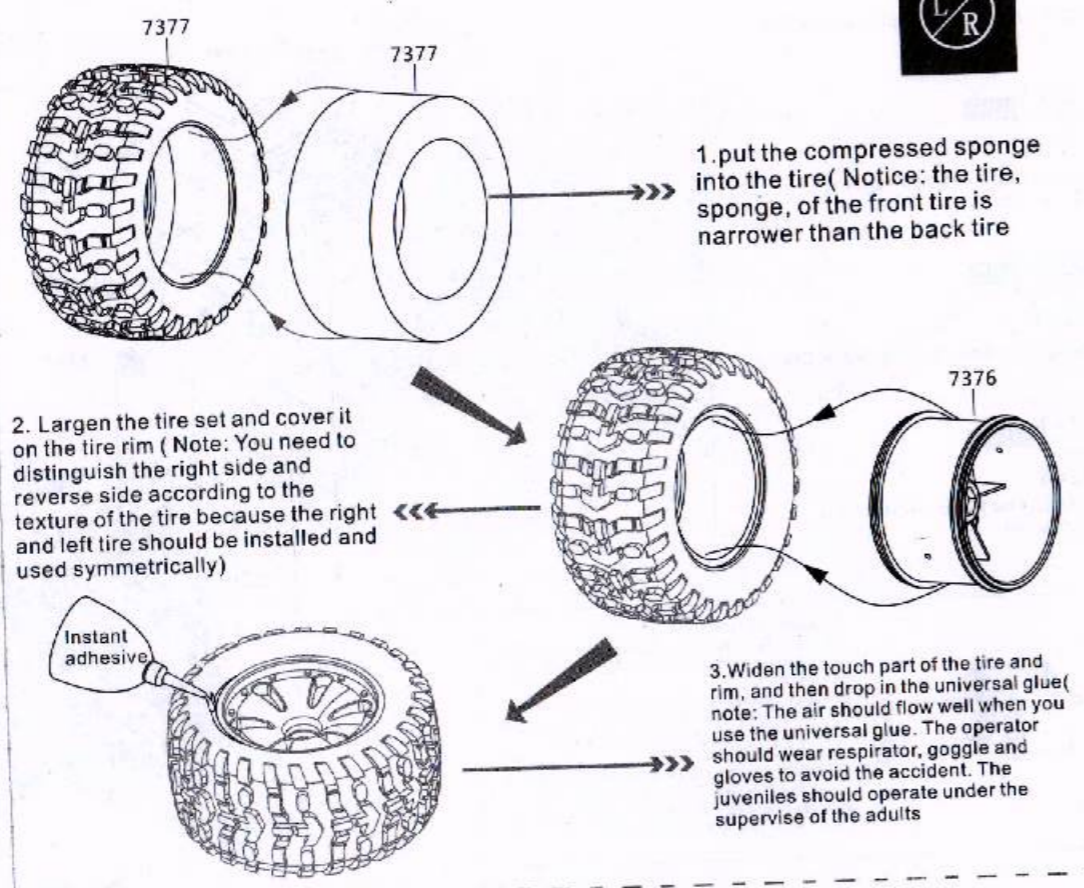
1. Press the F crank set into servo wheel (The tooth profile of the crank set should aim at that of servo).
2. Adjust the servo in the middle, then adjust the steering system to the same situation. The servo rocker should keep an angle of $90^\circ \pm 5'$ with the horizon.
3. Press the servo rocker into the out tooth of the crank set (The tooth profile of the servo rocker should aim at the tooth profile of the crank set), finally lock the screw.

-  x2
7274
R-Pin Set

23. BATTERY ASSEMBLY

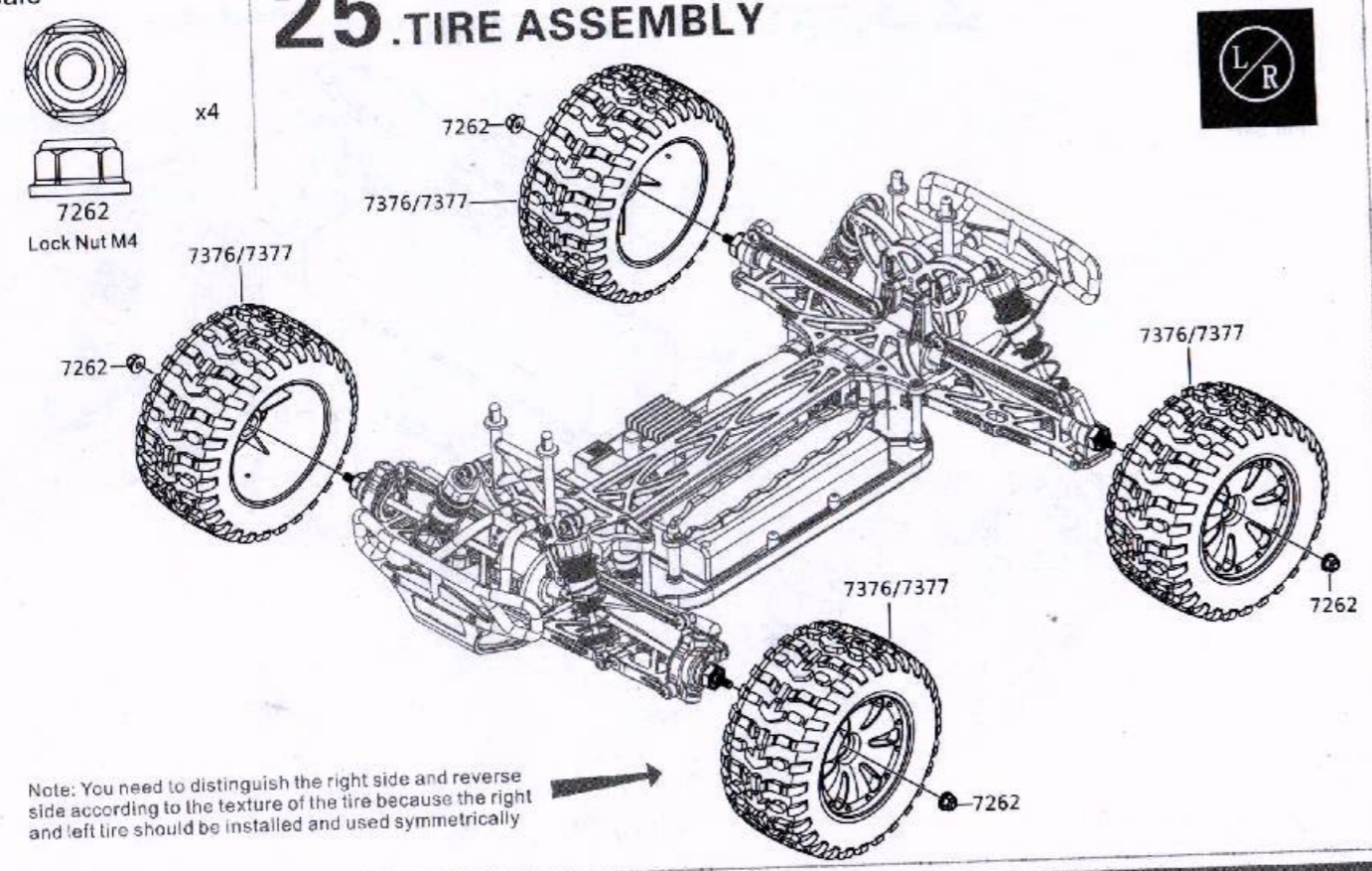


24. TIRE ASSEMBLY



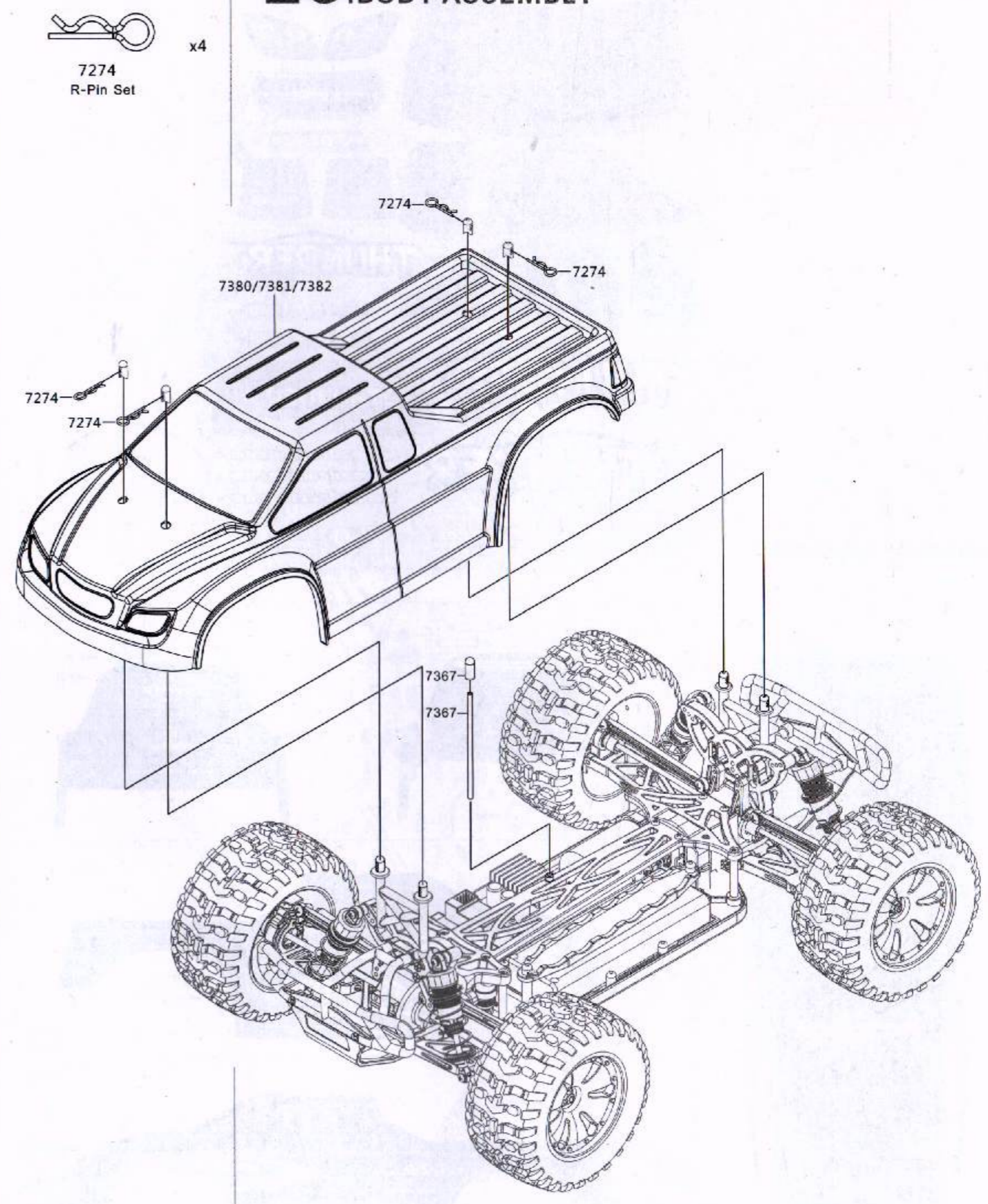
1:1 Scale

25. TIRE ASSEMBLY

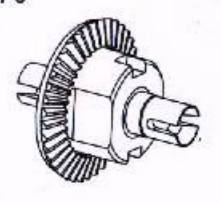

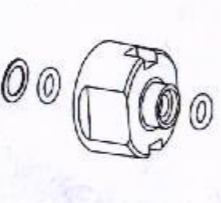
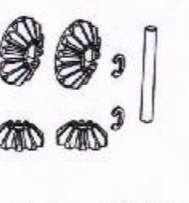
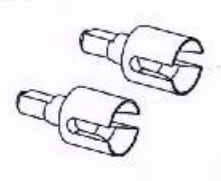
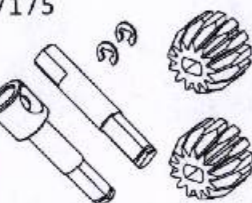

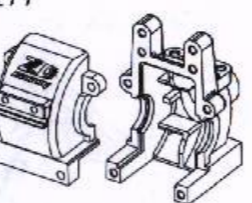

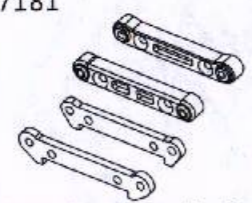

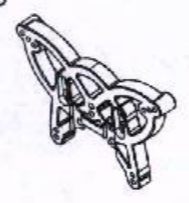
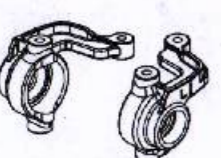
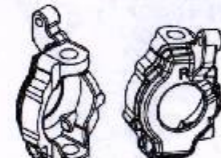

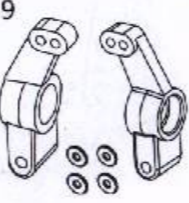
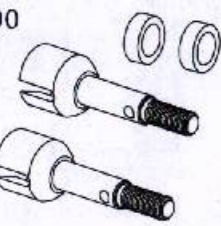
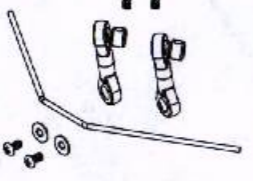
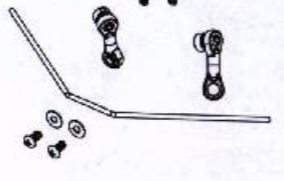

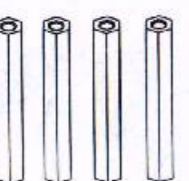

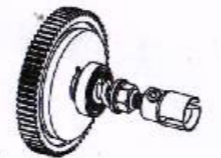


1:1 Scale



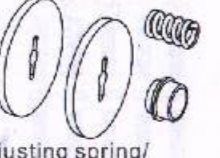


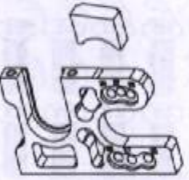
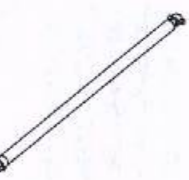

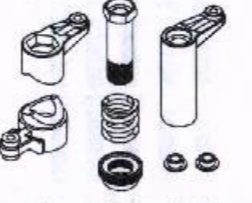
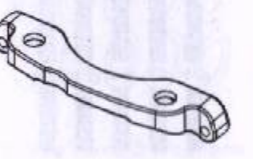



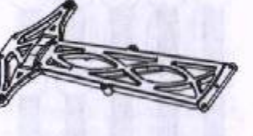
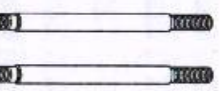
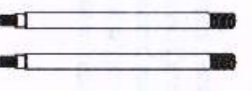



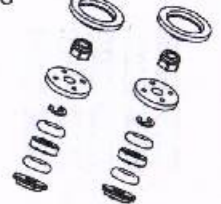




26. BODY ASSEMBLY



GENERAL REPLACEMENT PARTS

7170  Complete Differential Set	7171  Differential Crown Gear 38T+Sealing	7172  Differential Case and Sealing	7173  Differential Gear Set (4pcs)
7174  Differential Outdrives front+rear	7175  Diff Pinion Gear 13T (2pcs)	7176  Outdrive Gear Box front	7177  Gear Box (1pcs)
7179  Front Shock Tower	7181  Susp. Arm Hinge Pin Brace front&rear	7182  3x30mm Hinge Pin (4pcs)	7183  Rear Shock Tower
7186  Steering Knuckles	7187  C-Hubs with Inserts	7188  Wheel Hex Nuts	7189  Rear Hub Car.+ Hex Wheel-Ad.(each with 2pcs)
7190  Rear Hub Carrier Axle	7192  Front Sway Bar Set	7193  Rear Sway Bar Set	7194  Front /Rear Lower Suspension Pins
7198  Chassis	7199  Aluminium strut (4pcs)	7200  Servo Saver Post	7201  Slipper Clutch complete with Main Gear

GENERAL REPLACEMENT PARTS

7202  Asbestos paper friction plate	7203  Reduction Gear	7204  Adjusting spring/ Adjusting spring mount/ Asbestos briquetting	7205  Dogbone-Outdrive Slipper Clutch
7206  Reduction gear shaft	7208  Aluminium Motor Mount	7210  Aluminium Center Driveshaft	7211  Battery Tray and Posts
7213  Servo Saver/Steering Arms	7214  Steering Connecting Plate	7215  Steering Servo Turnbuckle	7216  Servo Arm Plastic
7217  Front Upper Chassis Brace	7218  Middle Upper Chassis Plate	7223  Front Shock Rods	7224  Rear Shock Rods
7225  Shock cap	7226  Shock seal cover	7227  Shock adjustment ring	7228  Shock absorber piston group
7229  Shock Sealing Set (4pcs)	7230  Shock End Set Upper/Lower	7231  Shock spring lower seat	7232  Front/Rear shock absorber cylinder block

GENERAL REPLACEMENT PARTS

7233



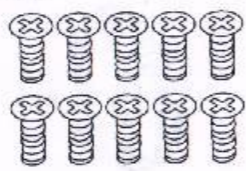
Server crankset

7244



M2x10 Socket Cap Screw

7245



M3X8 Flat Head Self-tapping Screw Set

7246



M3X10 Flat Head Self-tapping Screw Set

7247



M3X12 Flat Head Self-tapping Screw Set

7248



M3X20 Flat Head Self-tapping Screw Set

7249



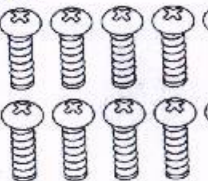
M3X8 Flat Head Screw Set

7250



M3X6 Pan Self-tapping Screw Set

7251



M3X10 Pan Self-tapping Screw Set

7252



M3X12 Pan Self-tapping Screw Set

7253



M3X14 Pan Self-tapping Screw Set

7254



M3X16 Pan Self-tapping Screw Set

7255



M3X20 Pan Self-tapping Screw Set

7256



M3X8 Pan Head Screw Set

7257



M3X10 Pan Head Screw Set

7258



Set Screw M3x3

7259



Set Screw M3x10

7260



Set Screw M4x4

7261



Lock Nut M2.5

7262



Lock Nut M4

7263



M3x4.1 Screw rod

7264



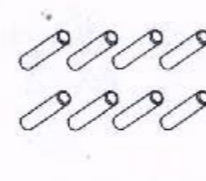
M3x4.8 Screw rod

7265



Steering Ball Screws φ4.7-M3

7266



φ2x9.7 Pin Set

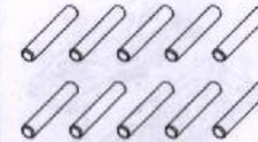
GENERAL REPLACEMENT PARTS

7267



φ2x10 Pin Set

7268



φ2x11 Pin Set

7269



Ball bearing φ8x5x2.5

7270



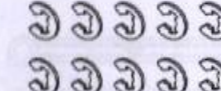
Ball bearing φ10x5x4

7271



Ball bearing φ15x10x4

7272



E button φ2.5x0.4

7273



Ball Head Set

7274



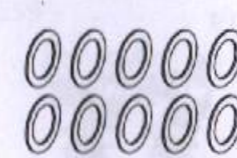
R-Pin Set

7275



φ8xφ5.1x0.3 Washers

7276



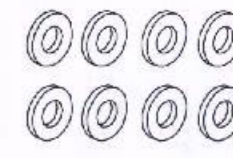
φ10xφ5.5x0.3 Washers

7277



φ8xφ3.2x0.5 Washers

7278



Rear Wheel Shaft Washers

7279



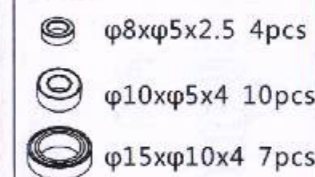
Differential searing

7280



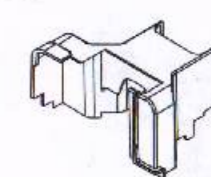
Asbestos paper friction plate φ25.5x17.5x1.0

7281




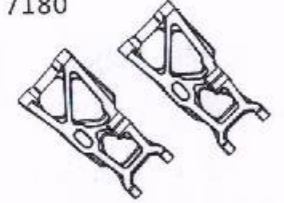

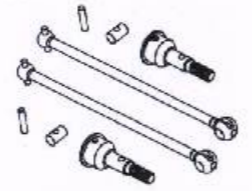

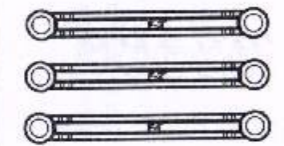
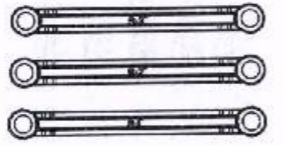
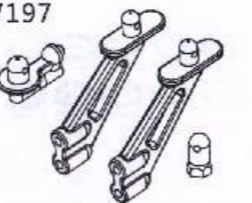
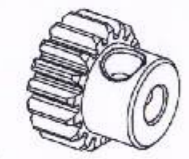
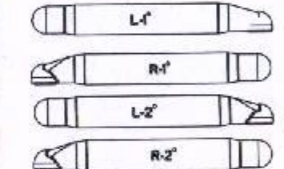




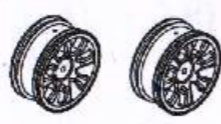
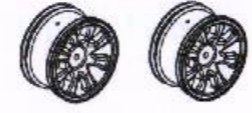
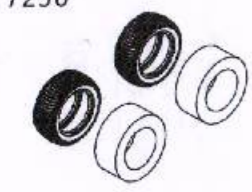
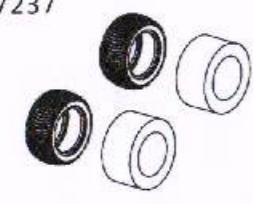




Complete Bearing Set

7290

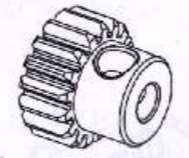
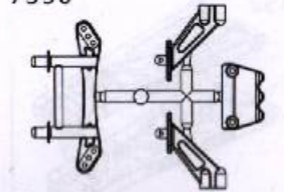
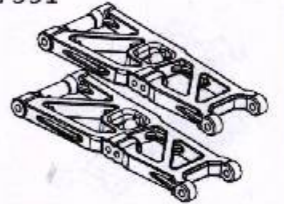
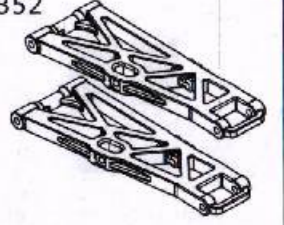
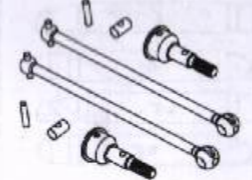

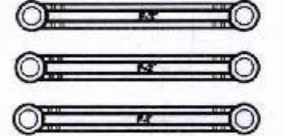
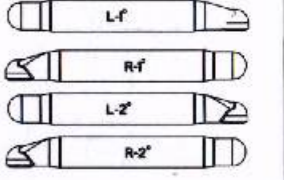





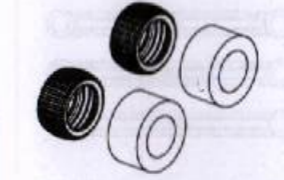
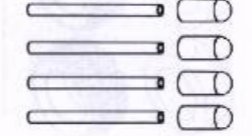



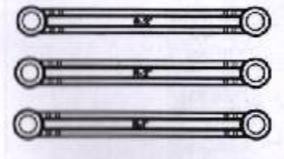




Dust cover

BUGGY (B-10E) REPLACEMENT PARTS

7178  Front Bumper	7180  Front Suspension Arm Set	7184  Rear Suspension Arm Set	7185  Universal Drive shaft
7191  Horizontal drive shafts	7195  Front Upper rod set 1 1/2 2/3"	7196  Rear Upper rod set 1 1/2 2/3"	7197  Wing Mount Plastics
7209  24T Motor Gear	7212  Steering Rods	7219  Front Shock Set	7220  Rear Shock Set
7221  Front Shock Spring(black)	7222  Rear Shock Spring(black)	7234  Front Tire Rim Set	7235  Rear Tire Rim Set
7236  Front Tyre+Inserts front	7237  Rear Tyre+Inserts front	7238  Antenna tube/antenna cap	7242  Body and tail sticker
7239 Body (White)	7240 Body (Yellow)	7241 Body transparent	7243(Black)/7291(Yellow) 7292(White)  Tail Wing
7282  Complete Screw Set			

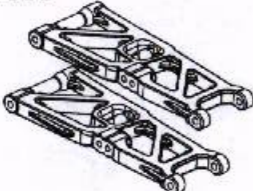
TRUGGY (ZTX-10) REPLACEMENT PARTS

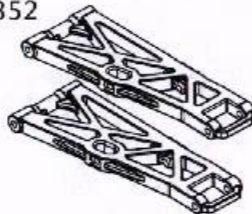
7299  19T Motor Gear	7350  Front Bumper Front/Rear Body post set	7351  Front Suspension Arm Set	7352  Rear Suspension Arm Set
7353  Universal Drive shaft	7354  Horizontal drive shafts	7355  Front Upper rod set 1 1/2 2/3"	7357  Steering Rods
7358  Front Shock Set	7359  Rear Shock Set	7360  Front Shock Spring(black)	7361  Rear Shock Spring(black)
7362  Tire Rim Set	7363  Tyre+Inserts front (2pcs)	7364 Body(blue)	7365 Body (black)
		7366 Body transparent	
7367  Antenna tube/antenna cap	7368  M3x6 Pan Head Screw Set	7369  Lock Nut M3	7370  Complete Screw Set
7371  Rear Upper rod set 1 1/2 2/3"	7372  Body and tail sticker	7373  M3X18 Pan Self-tapping Screw Set	

TRUCK (ZMT-10) REPLACEMENT PARTS

7309


Rear shock absorber cylinder block

7351

Front Suspension Arm Set

7352

Rear Suspension Arm Set

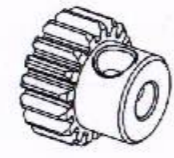
7353

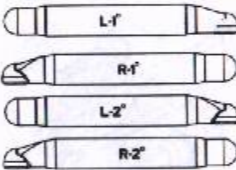
Universal Drive shaft

7354

Horizontal drive shafts

7355

Front Upper rod set 1 1/2 3/8

7356

17T Motor Gear

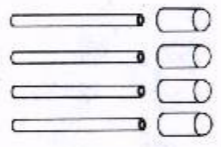
7357

Steering Rods

7359

Shock Set


7361


Shock Spring (black)

7367

Antenna tube/antenna cap

7368

M3x6 Pan Head Screw Set

7369

Lock Nut M3

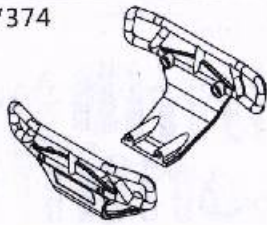
7370

Complete Screw Set

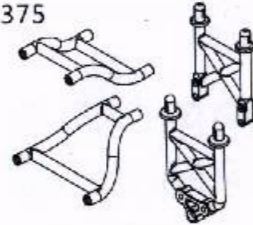
7371

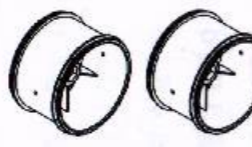
Rear Upper rod set 1 1/2 3/8


7373

M3X18 Pan Self-tapping Screw Set

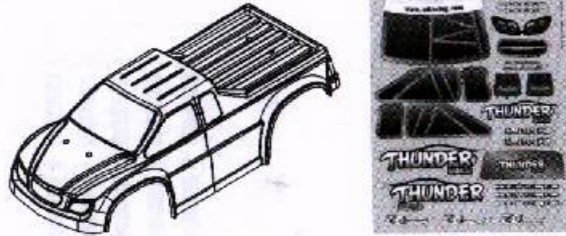
7374

Front/Rear Bumper


7375

Body post set

7376

Tire Rim Set

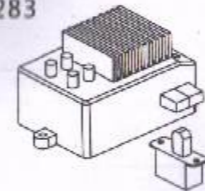
7377

Tyre+Inserts front (2pcs)

7380 Body (black) 7381 Body (blue) 7382 Body transparent



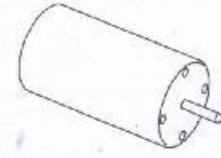
7383

Body and tail sticker

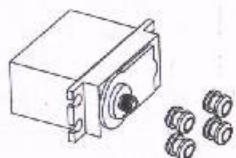
REPLACEMENT PARTS

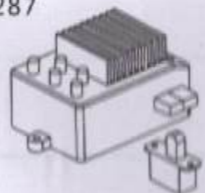
7283

Brushed ESC 45A

7284

Ni-MH 3000mAh 7.2V

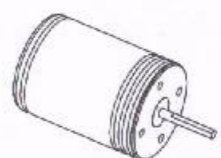
7285

Brushed Motor 540

7286

3.5KG Servo

7287

Brushless ESC 45A

7288

Li-Po 3200mAh 7.4V 25C

7289

Brushless Motor Kv3300

6422

2.4G Pistol Grip Radio

7384

Li-Po 2400mAh 7.4V 25C

