

# 1:12 Electric 4WD Climbing car



Caution: This model is not a toy, it is designed for users over 14 years of age.

Please use this instruction and the R/C system instruction at the same time.

The instruction is suitable for a type of model whose number is 12428-C.

Safety and caution .....	1-2
Troubleshooting • Product introduction .....	2-3
Instruction of common tools and installation the electronic part...	4-5
Practice and maintenance.....	5-7
Assemble exploded view .....	8-20
Fittings view .....	21-27

# Safety and Cautions

- \*Never run the model on public roads or streets, as it could endanger traffic.
- \*Never run the model in crowded areas, near or toward people or animals, to prevent property damage and/or personal injury.
- \*Never run the model near rivers, ponds or lakes as to prevent R/C car from dropping into the water.
- \*Make sure that no one else is using the same frequency as yours in your running area. Using the same frequency at the same time, whether it is driving, flying or sailing, can cause loss of control with R/C model, resulting in serious accidents.
- \*To avoid a runaway R/C model or loss of control, always follow the procedure below:
  1. Fully extend transmitter antenna.
  2. Switch on transmitter.
  3. Switch on R/C model.
- \*Follow reverse procedure to shut down.
- \*Never touch or hinder rotating tire.
- \*Never run R/C model in the rain or let run over puddles, as water may cause trouble with R/C model.
- \*Motor and battery get very hot after running. Take care when handle them.
- \*Retract transmitter antenna when not in use.
- \*Remove the batteries from model and transmitter when they are not in use.





**\* The remote control depends on goods, picture for reference only.**

## Cautions when handling batteries

- \*Do not dismantle the battery or charger and do not cut any battery cables. This may cause short-circuit and/or damage to the product.
- \*Change battery with compatible charger following proper procedure that is called out in the instructions. Do not modify charger or charge battery in improper way.
- \*Do not recharge battery that is still warm from use as it may damage the battery. Allow the battery to cool off prior to recharging.
- \*Make sure to disconnect charger cables from R/C model and electric outlet when not in use.
- \*Remove transmitter battery when not using it for a long time as it may leak and damage transmitter when left for a long period.
- \*Never incinerate used batteries, as they can explode causing serious accidents.



## Safety precautions

<p>Do not operate the model on public roads, in crowded places or near infants, it may cause accidents or injury.</p>  	<p>As the product includes small and sharp parts, assemble and store this product only in places out of the reach of children.</p>  
<p>As the front end of the antenna may be dangerous, do not aim it toward faces.</p>  	<p>During the car running and after, the motor will be hot. Please do not touch it until it has had time to cool down.</p>  

Don't use the same frequency with others at the same time. Or the car will lose control or even lead to serious accidents.



## Troubleshooting

Description	Cause	Solution
The car does not operate at all.	Transmitter or receiver is off.	Turn on both transmitter and receiver.
	Batteries are not placed properly in the transmitter.	Place batteries in the transmitter properly.
	The drive battery is not charged enough.	Charge the drive battery.
The car does not follow your operation and control distance not enough long.	Someone else is using the same radio frequency as you are using.	Change your radio frequency to the one no one else is using, wait until the driver using the same radio frequency finishes driving, or drive your car at a different place.
	There is not enough power in the transmitter or receiver batteries.	Replace the transmitter batteries with new ones and charge the drive battery.
	Not tighten antenna on the transmitter/not fully extend antenna.	Make sure insert antenna into the transmitter and fully extend antenna.



## CAUTION

- \* Please observe the operation manual or packing explanation to install and use, and some parts should be installed by adults.
- \* The product contains small parts, it may cause swallow or choke.
- \* Never run an R/C model in the seep or rain, moisture areas, or it may cause the parts malfunction.
- \* Please throw the wrapper in time to avoid danger for the children.
- \* Regularly examine for damage to the charge, wire, plug, bodyshell or other parts. In the event of any damage, it must not be used until the damage has been repaired.
- \* The charge, battery box and battery must insert with the appointed power source of product symbol same.
- \* This product must only be used with the original collocation charger.
- \* The product is contains the functional outshoots are may be dangerous to the children.

- \* Apart the charger and toy before clean.
- \* As the front end of the antenna may be dangerous,do not aim it toward anyone's body,face or eyes.
- \* Batteries are to be inserted with the correct polarity.
- \* Use the "AA" non-rechargeable or "AA" rechargeable batteries.
- \* Non-rechargeable batteries are not to be recharged.
- \* Rechargeable batteries should only be charged under adult supervision.
- \* Rechargeable batteries must be removed from model before charger.
- \* Different types of batteries or old and new batteries are not to be mixed.
- \* Exhausted batteries are to be remove in time.
- \* The supply terminals are not to be short-circuited.
- \* Never short circuit the batteries. throw it in a fire or attempt to open their outer casings.
- \* Please remove the batteries when not in use.
- \* Please retain these instructions for future reference.

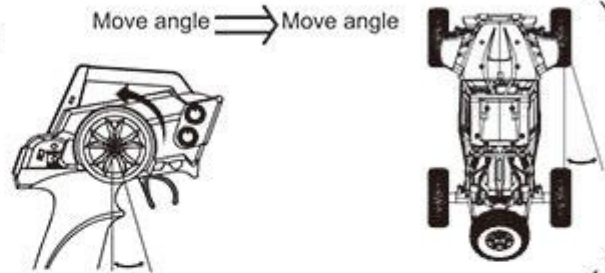
## Product Introduction

- ★Type: 1:12 Electric 4WD Climbing car
- ★Product size:420\*245\*180mm
- ★Wheelbase:253mm
- ★The minimum distance of front and rear wheel: 160mm
- ★Ground clearance:40mm
- ★Transmission ratio:1:9.12
- ★Tire diameter: 93MM;wheel width:32mm
- ★ESC receiving server:two in one circuit
- ★Motor: 540 brush motor
- ★Remote control: 2.4G Remote control
- ★Remote control distance:≥100M
- ★Remote control battery: 4 AA batteries (not included)
- ★Battery:Lithium battery 7.4V 1500 mAh
- ★Charger: lipo balance
- ★Charging time: 3 hours
- ★Use time: 10 minutes
- ★Server:25 g servos
- ★Car shell: antiknock PVC printing car shell, beautiful Crashworthiness
- ★Driving speed: 50km/h.

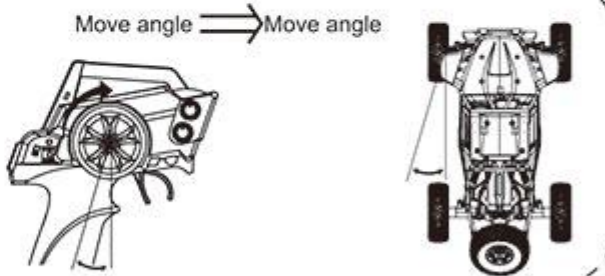
# Proportional R/C Using Instruction

- ① Turn left the steering wheel, the car will turn left. Turning left angle can be adjusted by the degree of wheel twisting.

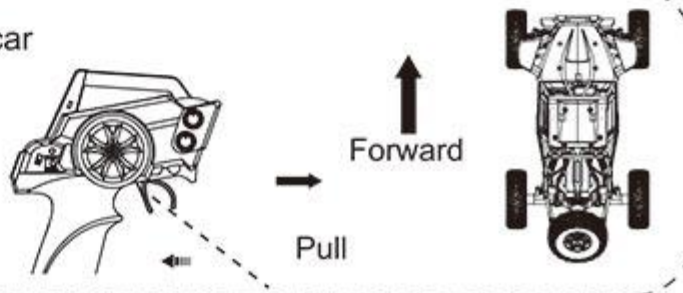
**\* The remote control depends on goods, picture for reference only.**



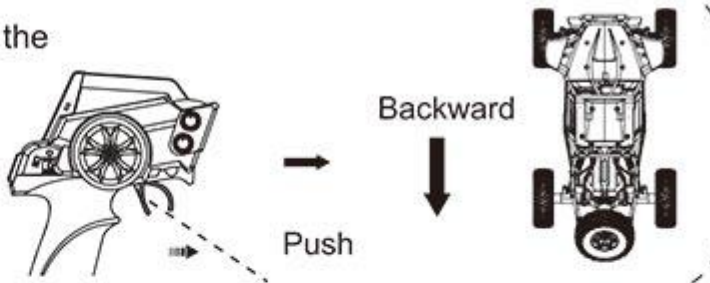
- ② Turn right the steering wheel, the car will turn right. Turning right angle can be adjusted by the degree of wheel twisting.



- ③ Pull the throttle trigger backward, the car will forward. Adjusting the angle of throttle trigger can adjust forward speed of the car. During the car forward, quickly push the trigger forward to stop it.

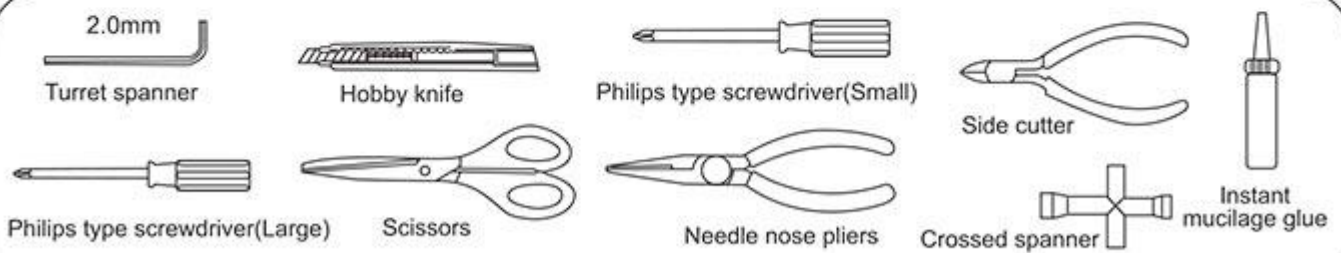


- ④ Loosen the trigger to make it return the neutral position when brake. Push the throttle trigger forward, the car will backward. Adjusting forward angle of throttle trigger adjust backward speed of the car.



## Introduce the common tools and assemble the electron parts

### Tools needed for assembly



## Charge caution

### CHARGING BATTERY

- 1) Please firstly check and confirm input voltage of the charge is consistent with local voltage, output voltage of the charge is consistent with battery voltage.
- 2) Battery must be used up before you charge, Charging time is not more than 3 hours.
- 3) Be careful to make sure there is adult to control when charging.



## Assemble the electron parts



### HOW TO CODE

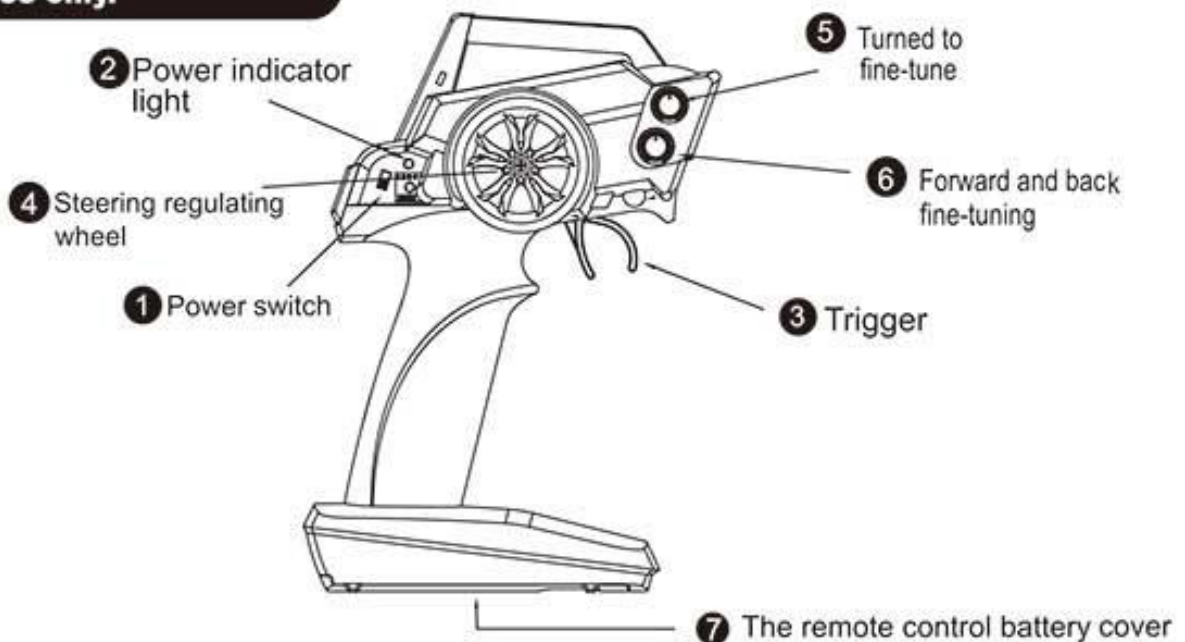
1. Turn on the remote controller, and the power light on the remote controller will flash red and green. Then turn on the model car, and the light on the receiver will flash.
2. Turn the steering wheel on the remote controller until the power light on the controller turns green, and light on the receiver stops flashing, which means they are coded.

# PRACTICE AND MAINTENANCE

## Operating program

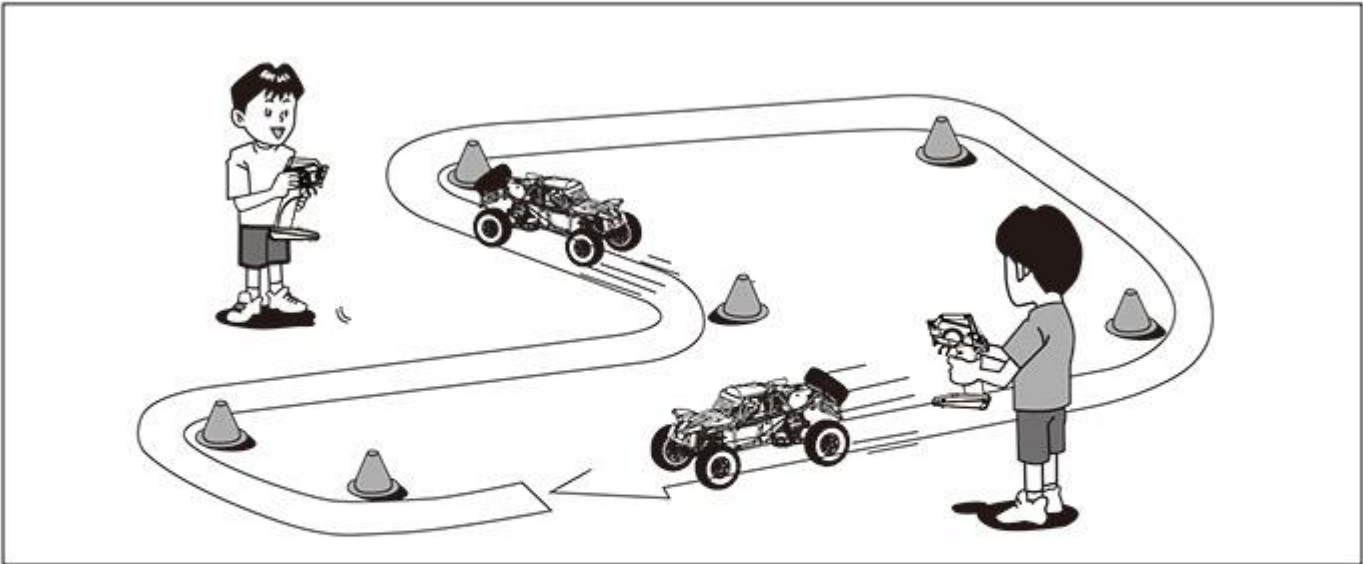
- 1> Turn on the switch **1** of transmitter and make sure the power indicator is **2** steady light, then turn on the car.
- 2> Put the car on the frame or stand. If wheel is running self-motion, adjust the trim **5** of transmitter until the wheel is still.
- 3> Slip the trigger **3** of transmitter slowly, you can observe the car whether it can go ahead or go back.
- 4> Turn steering adjusting wheel **4** of transmitter to left or right, and make sure the steering of front wheels follow the instruction.
- 5> Put the car on the ground and stand behind the back of the car. Squeeze the throttle trigger **3** of transmitter gently. If the car does not move in a straight line, you can adjust the trim **6** of transmitter until the car moves in straight line.
- 6> OK, ready to run.

\* The remote control depends on goods, picture for reference only.



## Practice

\* The remote control depends on goods, picture for reference only.



Let's practice! Make R/C car circuit at a wide and safe location using corner pylons (separately available), empty cans or such. Running fast at straight section and slow down at curved section is a basic speed control technique useful when driving R/C car.

## Maintain



When the car is not in use, you should remove the battery from the car.



Completely remove sand, mud, dirt etc.

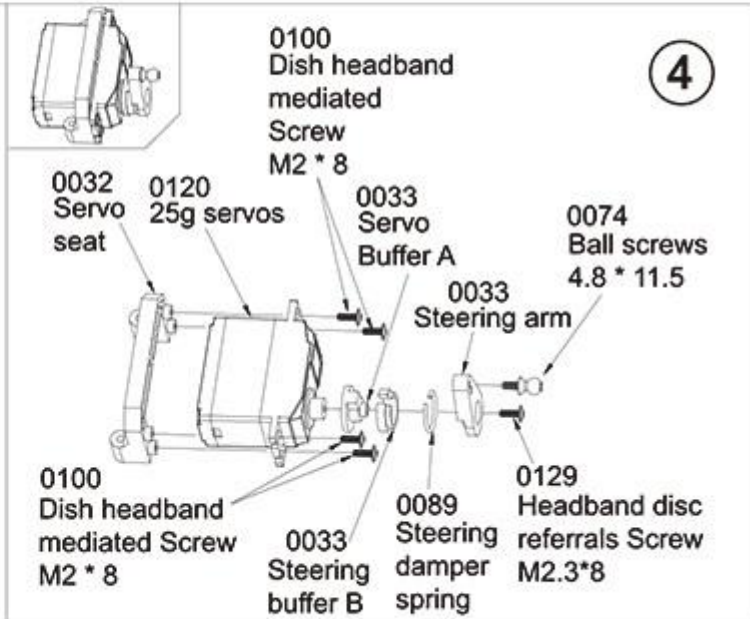
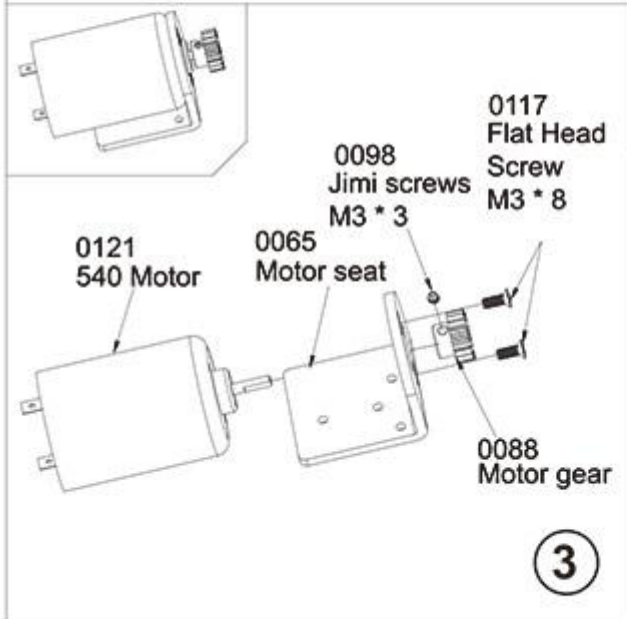
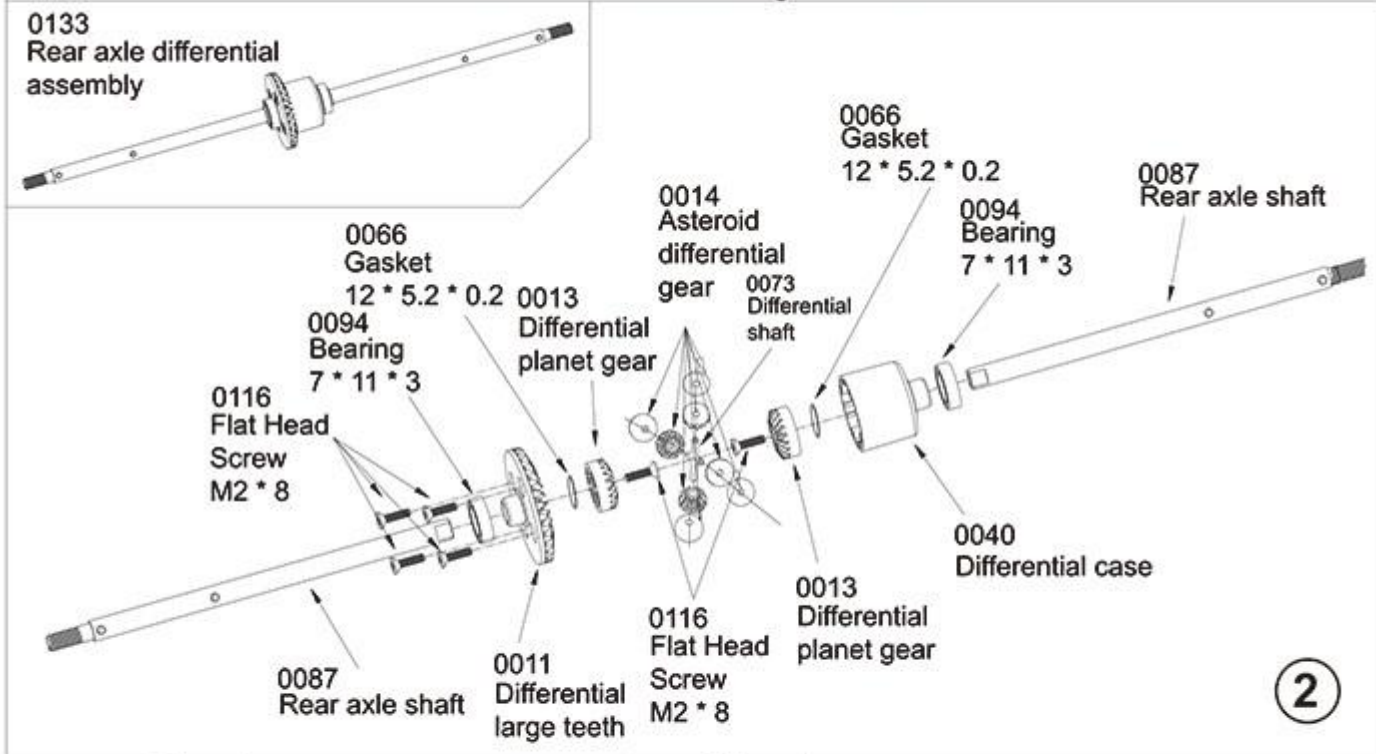
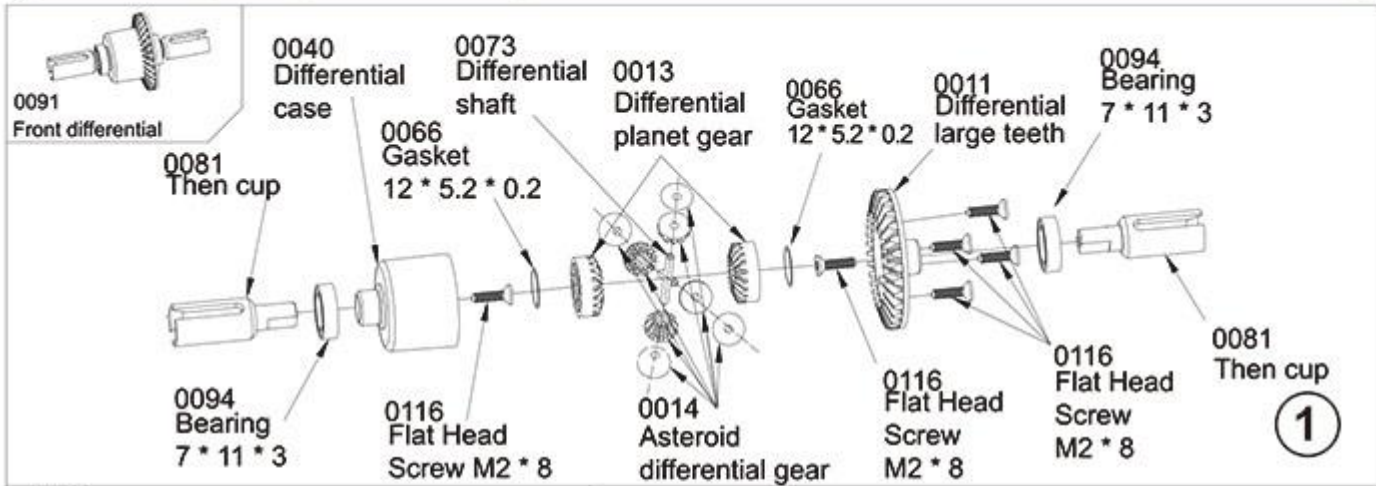


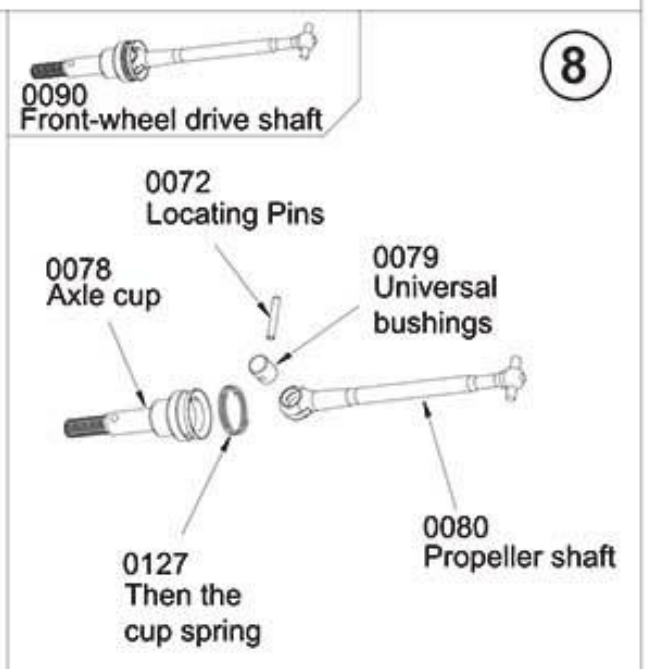
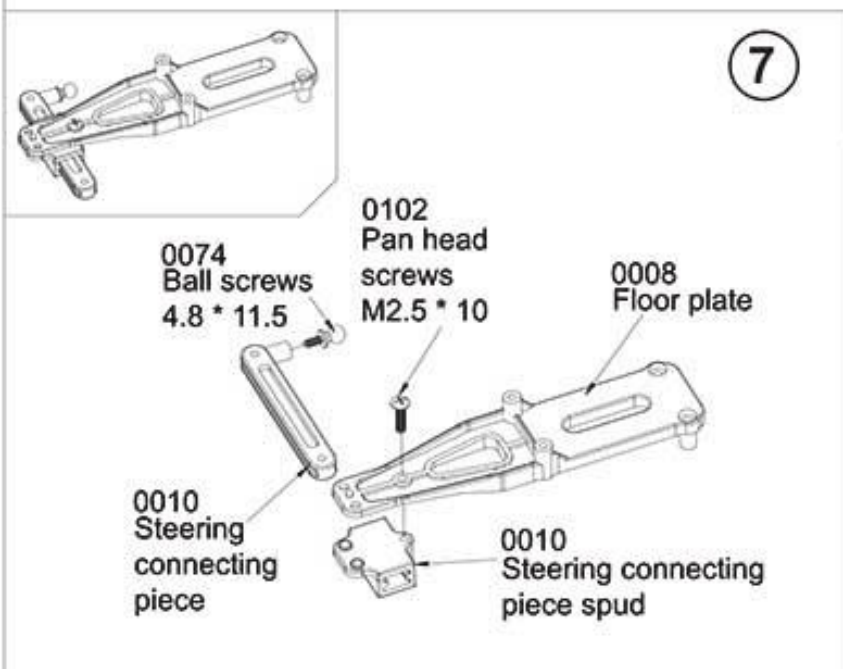
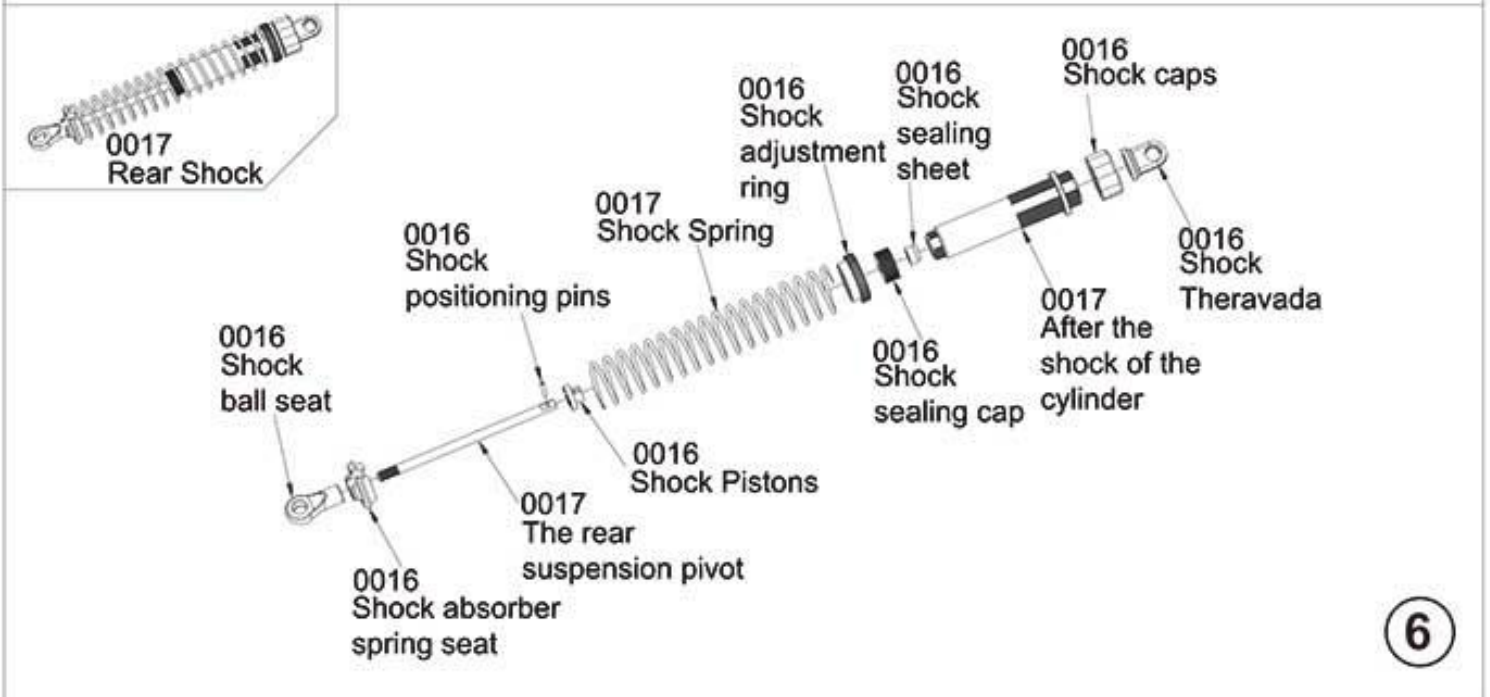
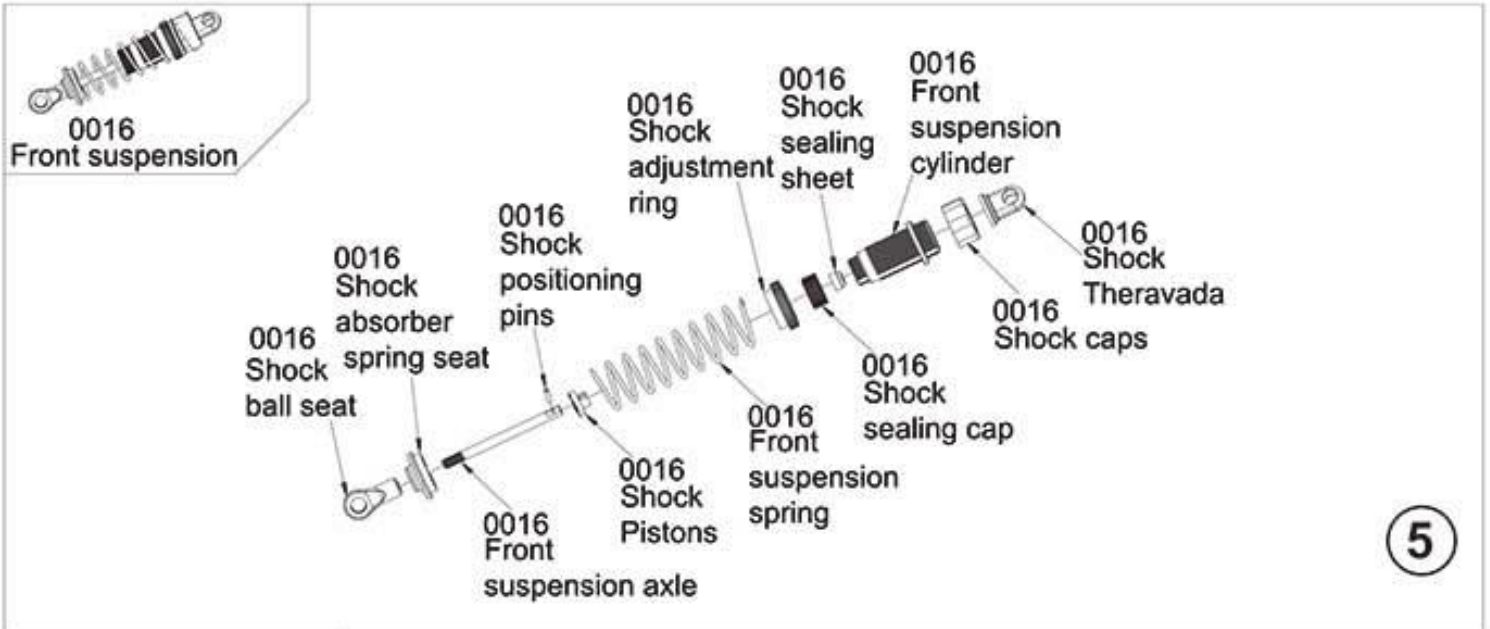
Metal outside should apply the rust prevention oil.

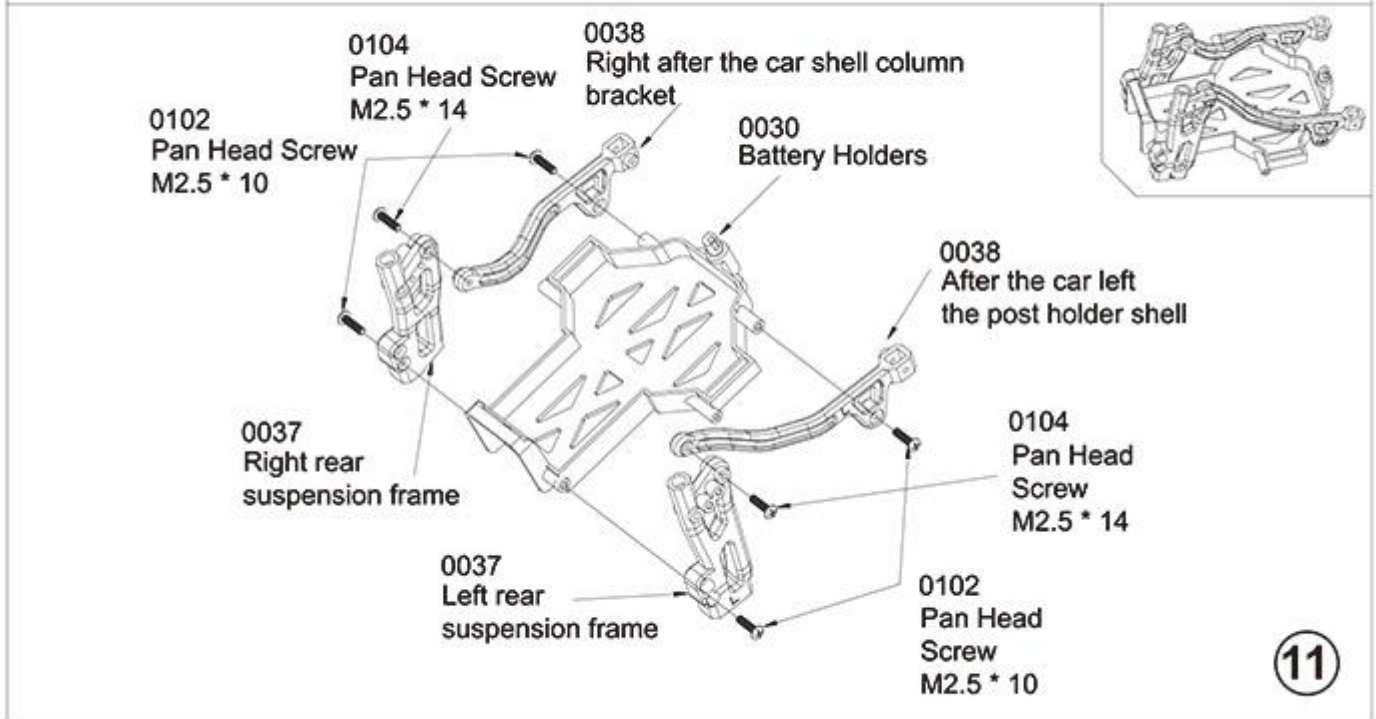
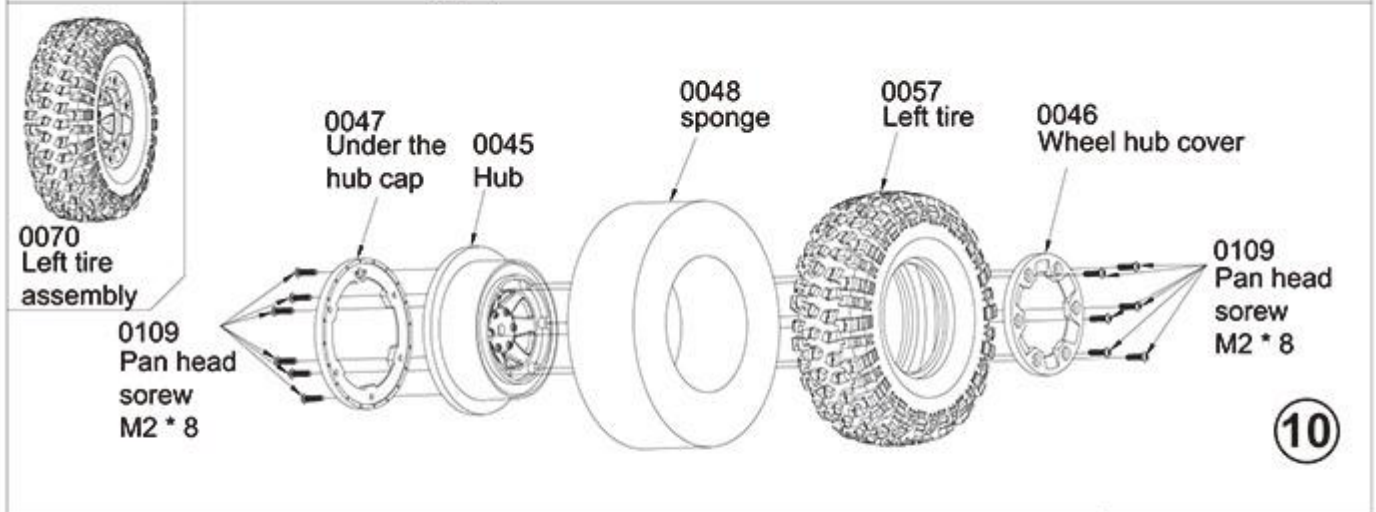
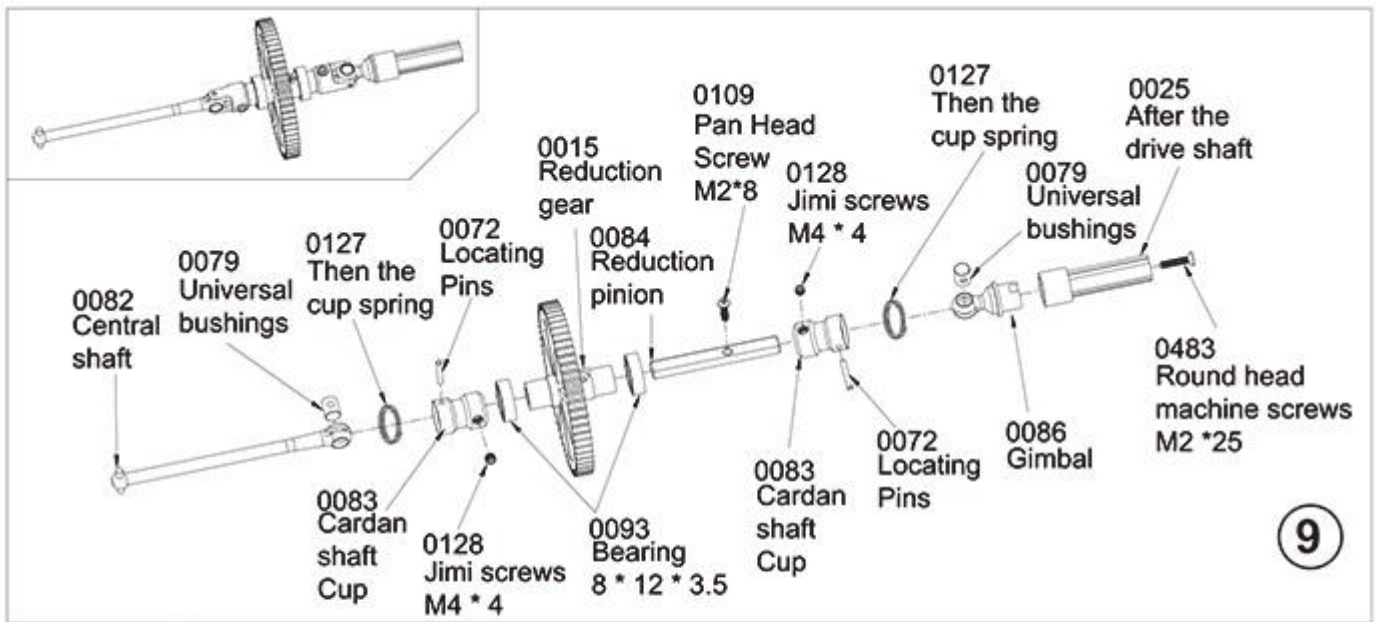


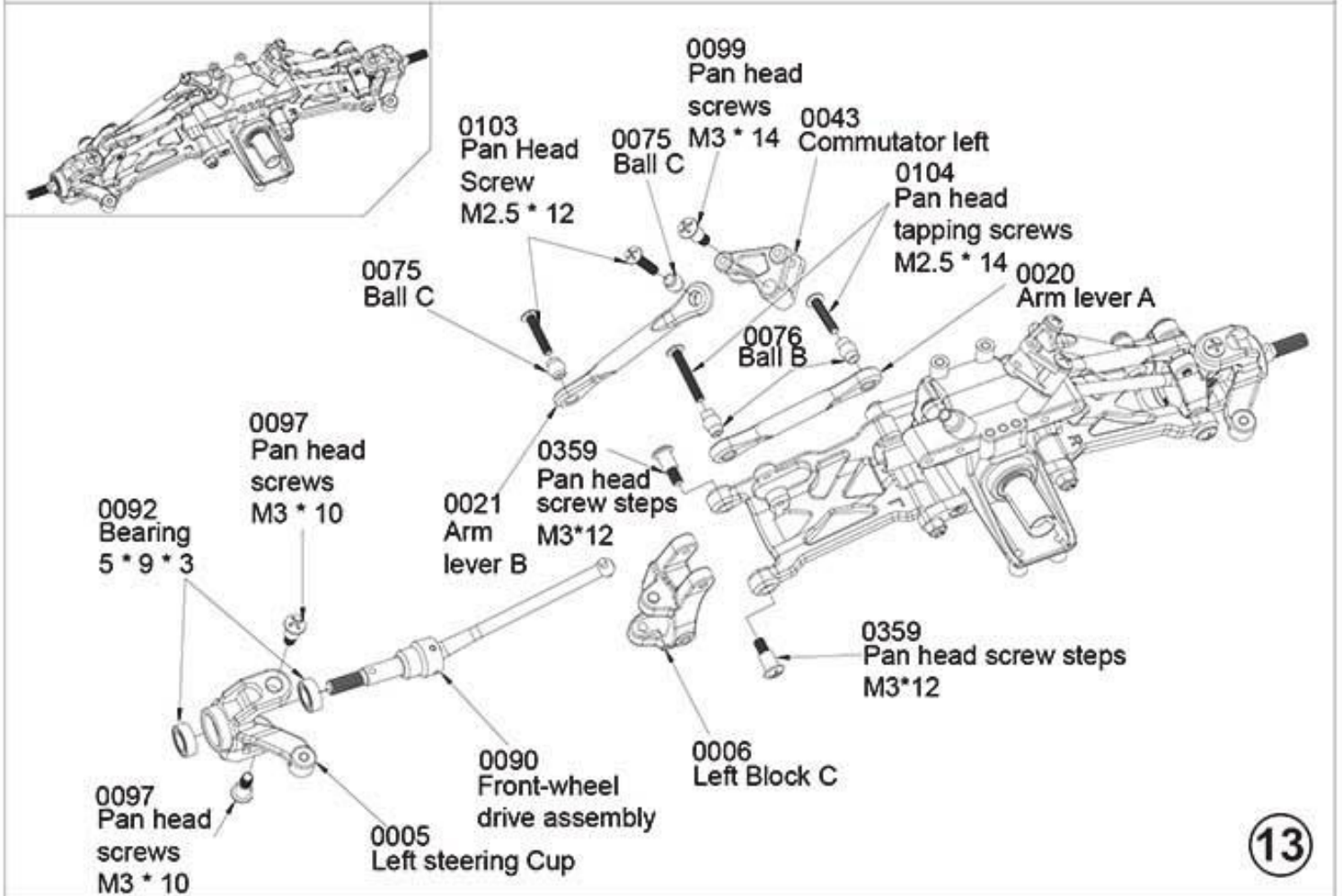
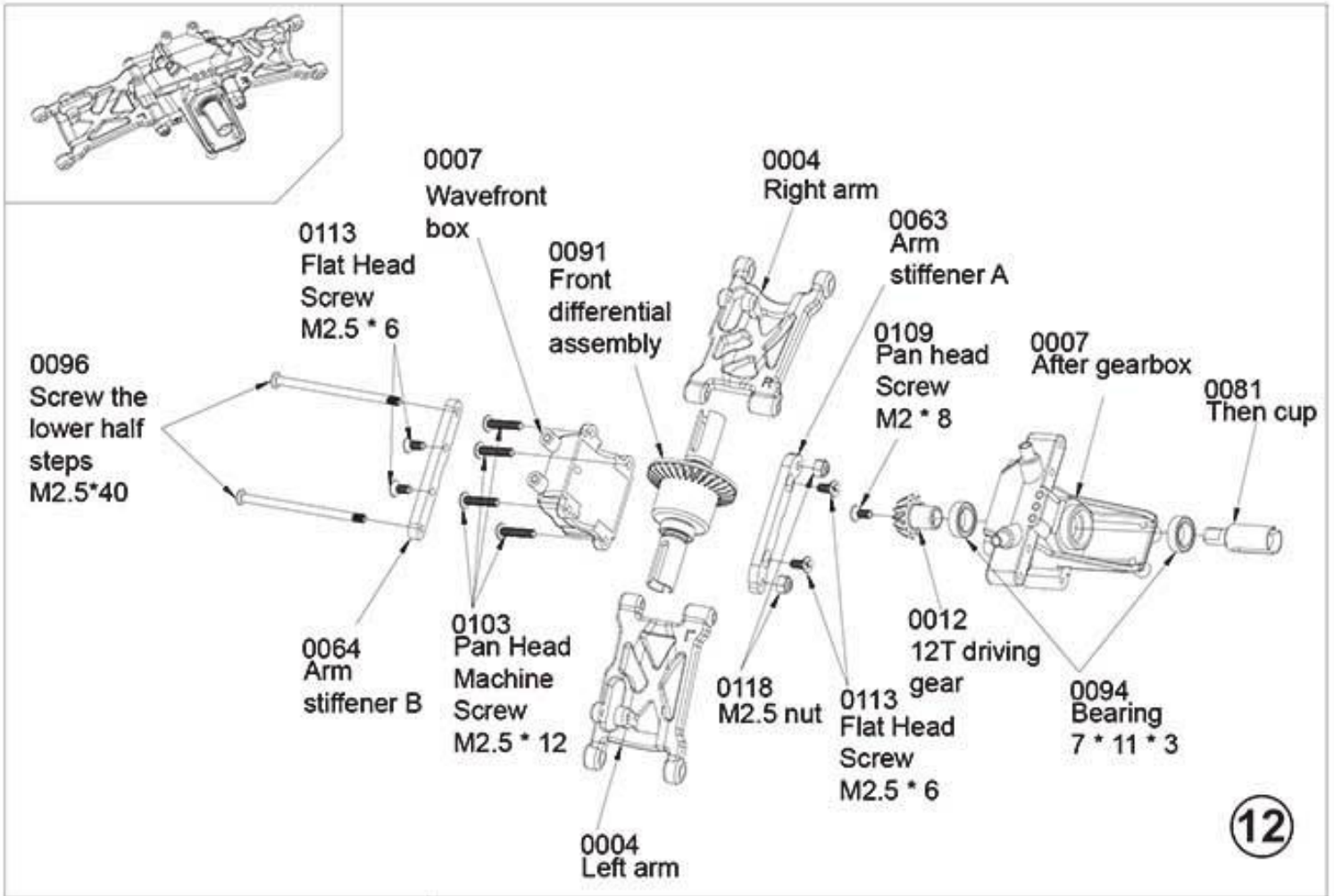
Store the car and batteries separately when not in use.

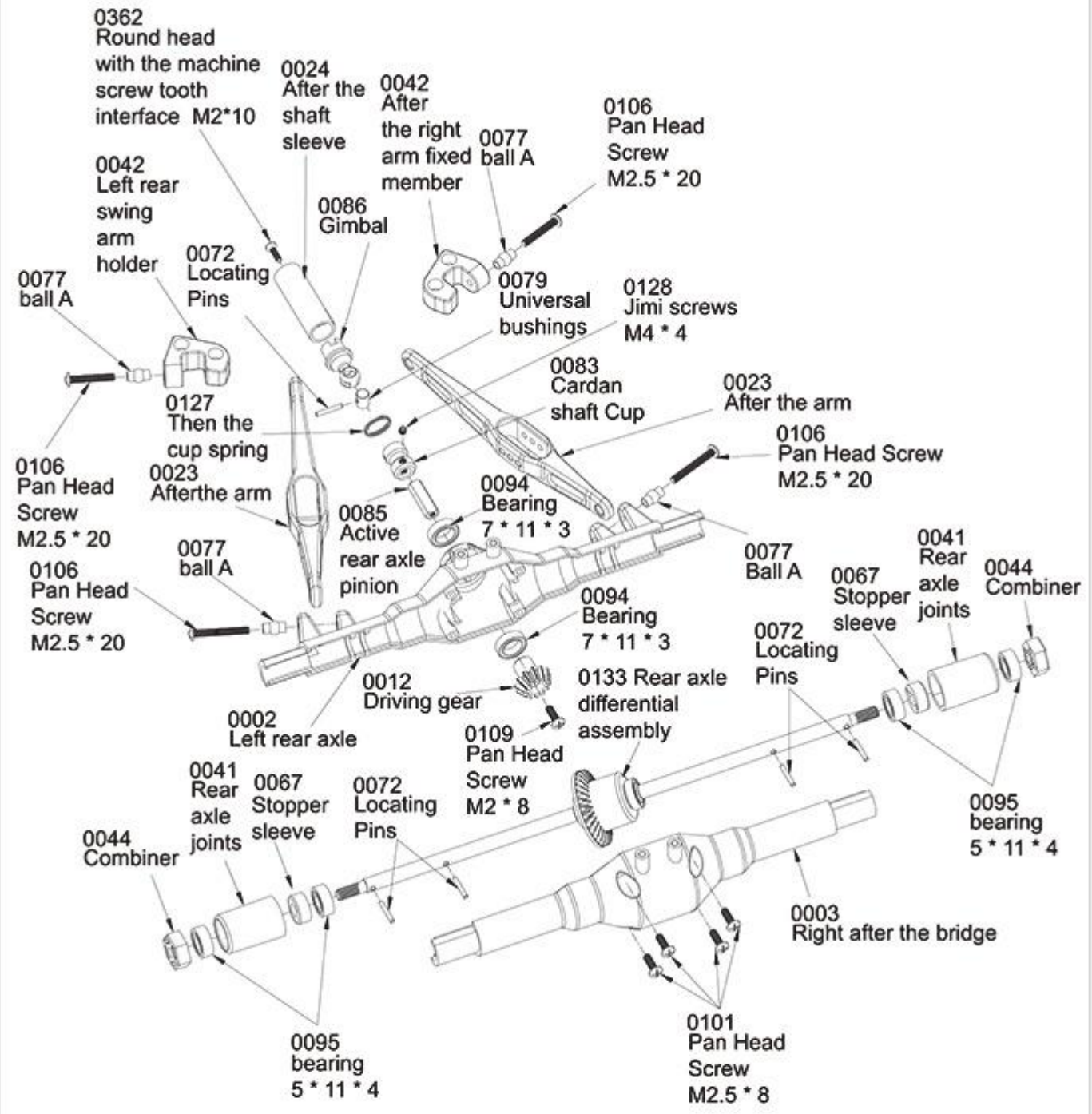
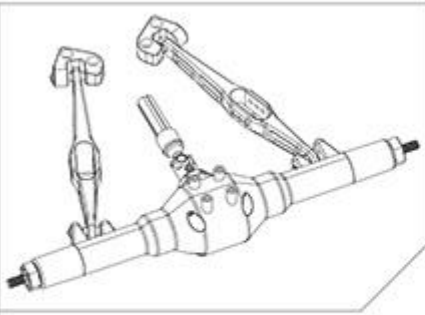
# Assembly Exploded Diagram

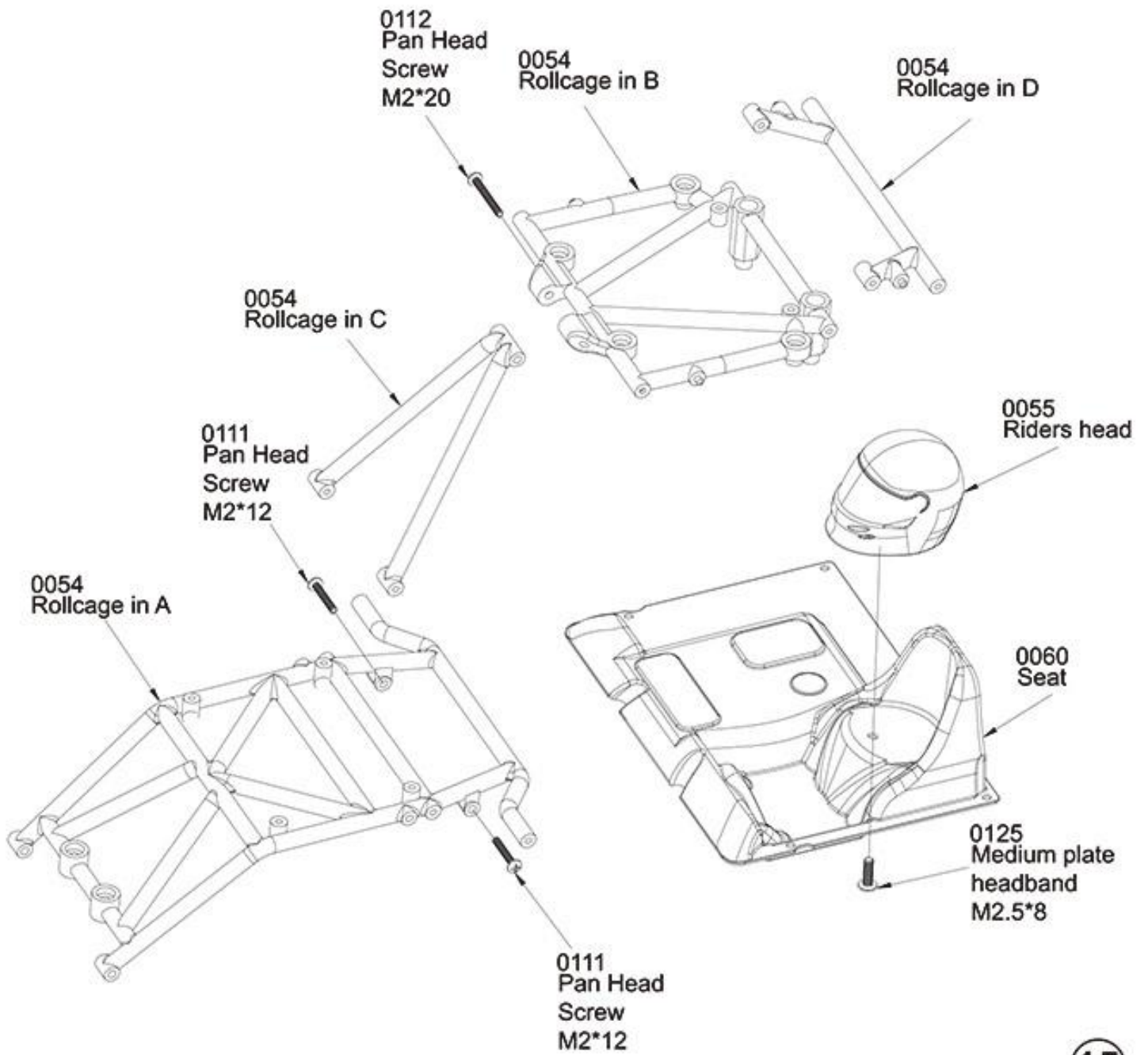
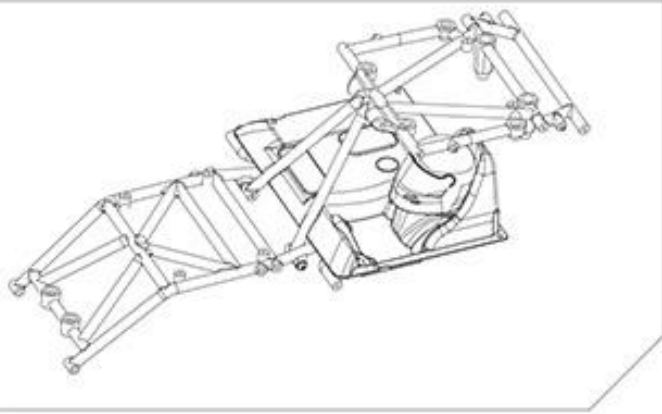




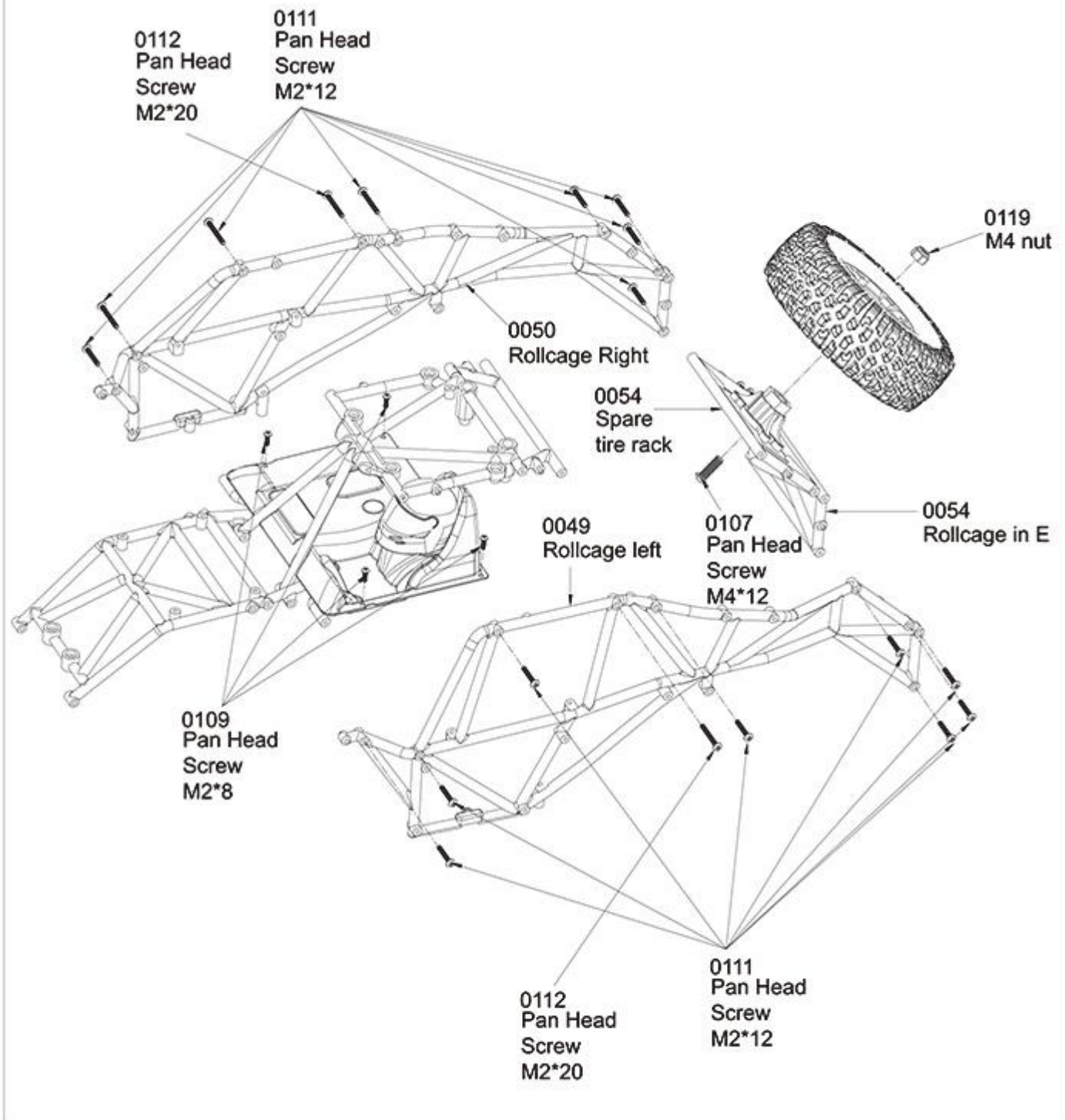
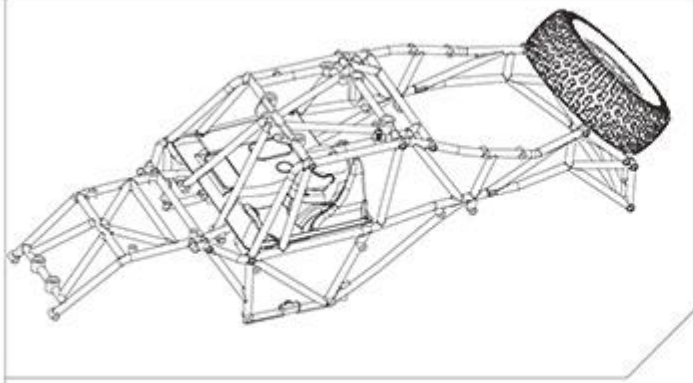




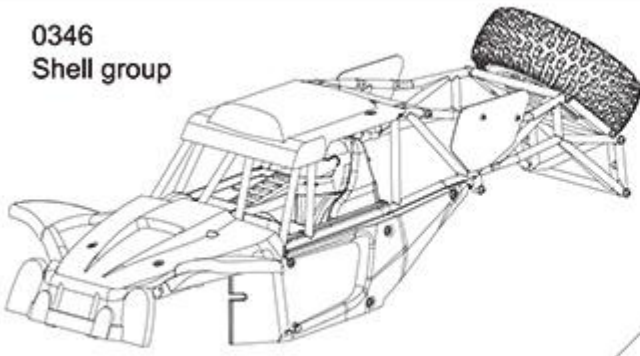




15



0346  
Shell group



17

0109  
Pan Head Screw  
M2\*8

0347  
Car roof

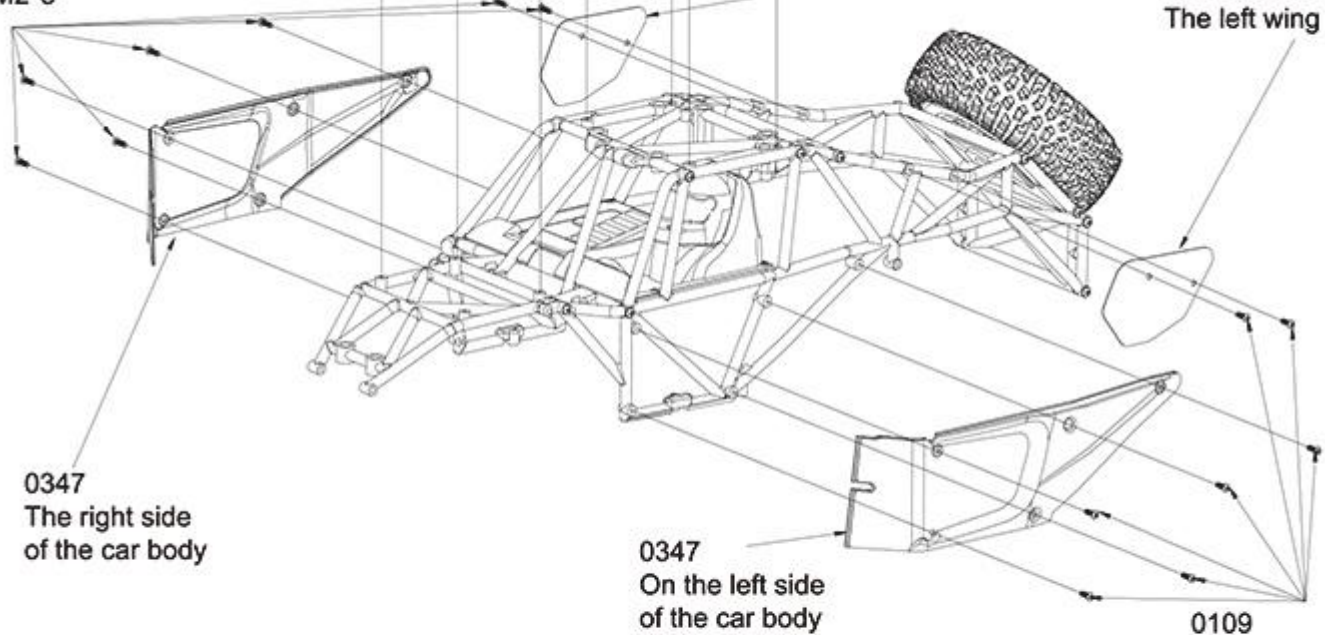
0109  
Pan Head Screw  
M2\*8

0347  
Headstock

0109  
Pan Head Screw  
M2\*8

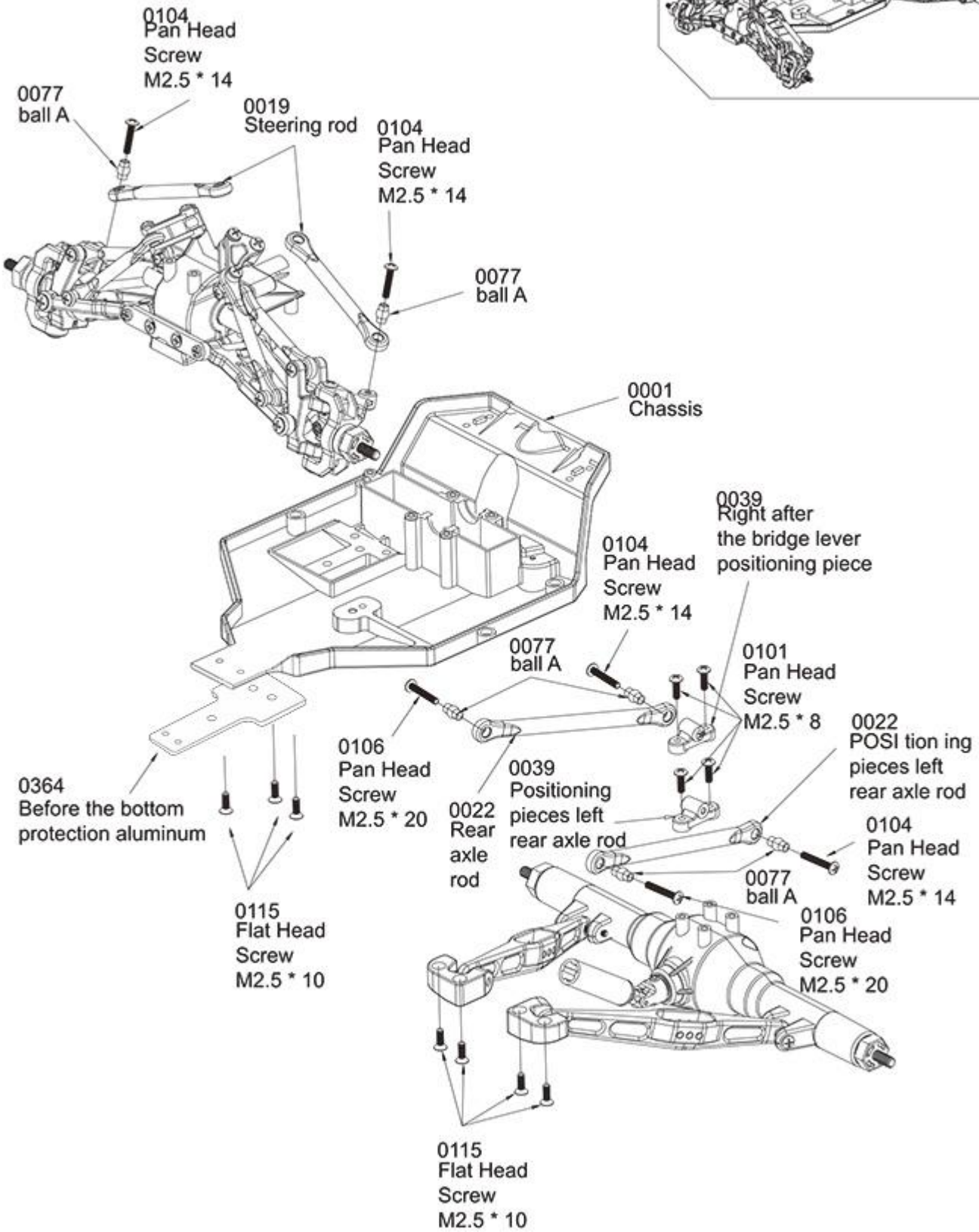
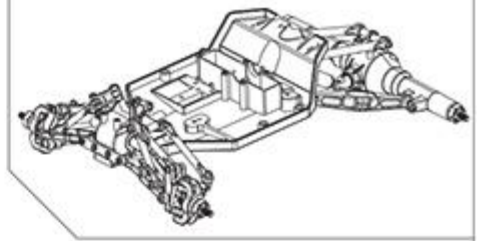
0347  
The right wing

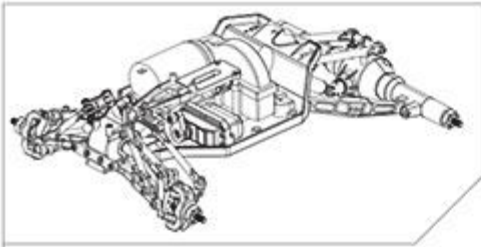
0347  
The left wing



0109  
Pan Head  
Screw  
M2\*8

18





0105  
Pan Head  
Screw  
M2.5 \* 16

0102  
Pan Head Screw  
M2.5 \* 10

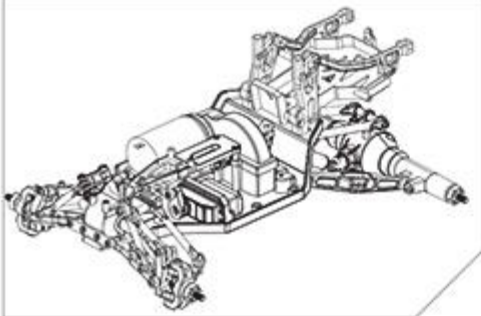
0009  
Dust cover

19

0108  
Pan Head Screw  
M3 \* 7

0018  
Steering rod

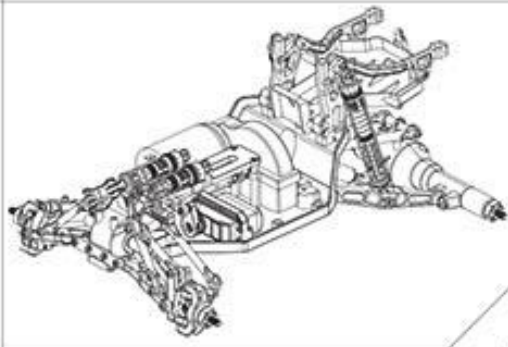
0114  
Flat Head Screw  
M2.5 \* 8



20

Battery holder assembly

0102  
Pan Head Screw  
M2.5 \* 10



0325  
Pan head with  
dielectric tooth  
machine screws  
M2.5 \* 16

0077  
ball A

0104  
Pan Head  
Screw  
M2.5 \* 14

0017  
After the  
suspension  
components

0103  
Pan Head Screw  
M2.5 \* 12

0076  
Ball B

0016  
Front suspension  
components

0075  
Ball C

0077  
Ball A

0077  
ball A

0017  
After the  
suspension  
components

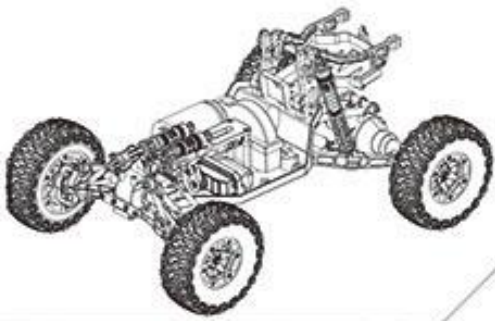
0077  
ball A

0325  
Pan head with  
dielectric tooth  
machine screws  
M2.5 \* 16

0077  
ball A

0104  
Pan Head Screw  
M2.5 \* 14

22



0119  
M4 nut

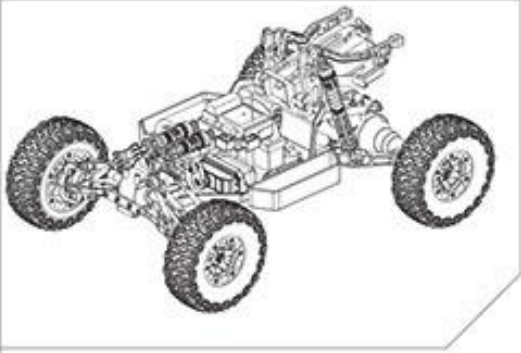
0070  
Right tire assembly

0119  
M4 nut

0071  
Left tire assembly

0119  
M4 nut

0119  
M4 nut



0062  
Car shell folder

0031  
Battery layering

0123  
battery

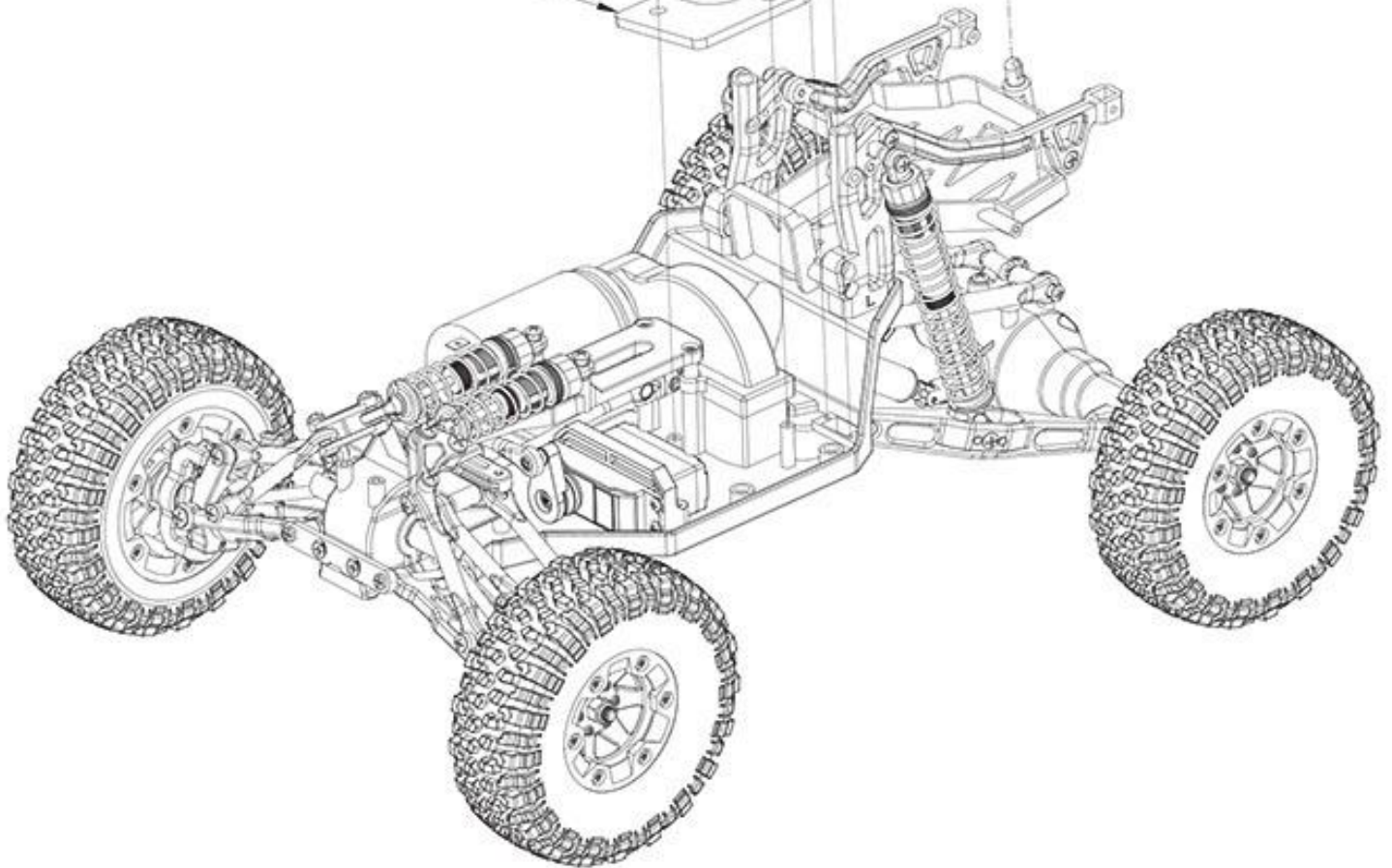
0056  
Circuit board

0069  
Pan Head  
Screw  
M2\*4

0125  
Medium plate  
headband  
M2.5\*8

0056  
switch

0068  
Counterweight





0103  
Pan head cross machine screws  
M2.5\*12

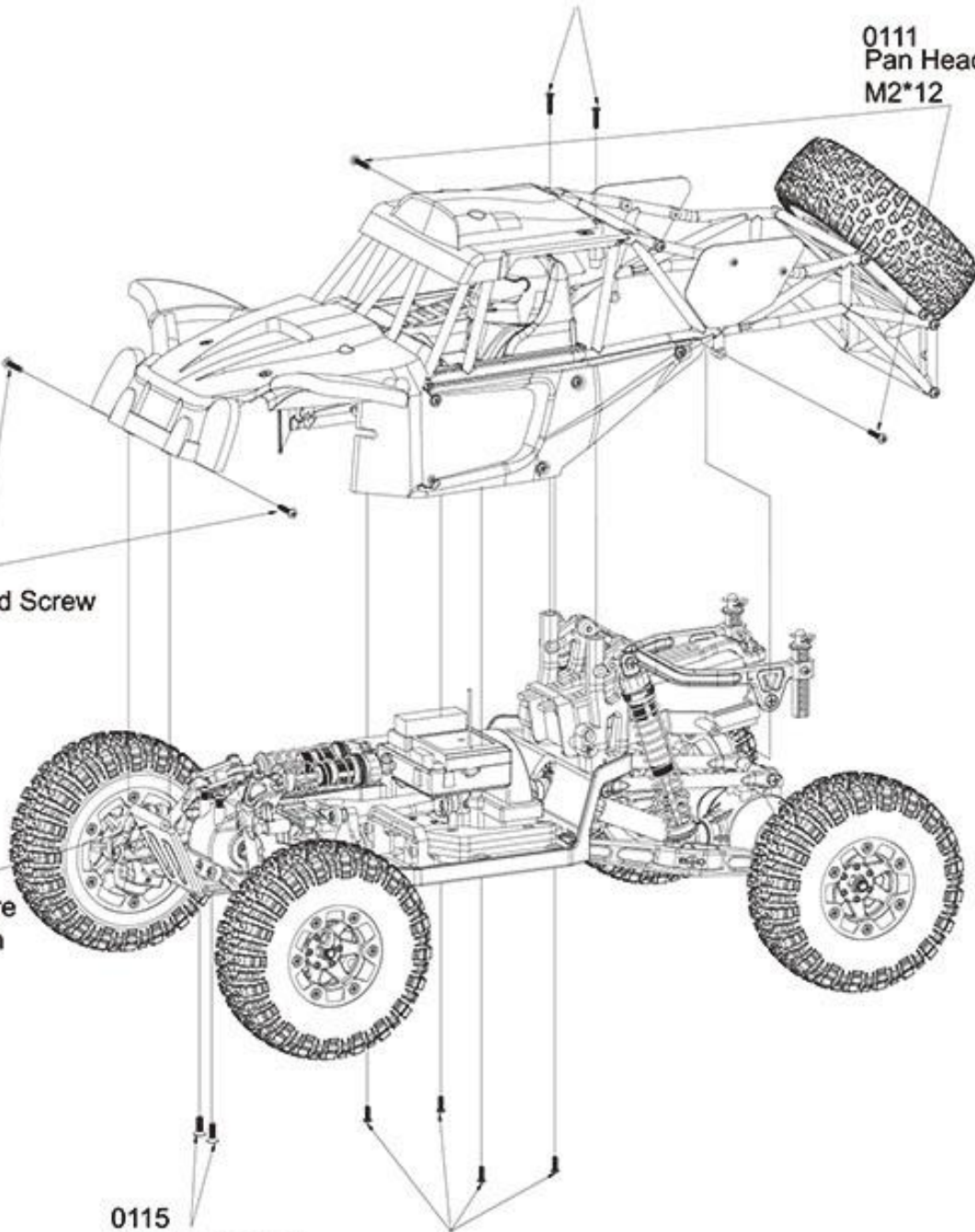
0111  
Pan Head Screw  
M2\*12

0111  
Pan Head Screw  
M2\*12

0052  
Climb before  
the collision

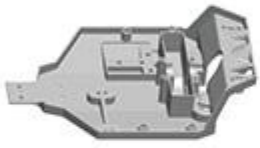
0115  
Flat head screw  
M2.5\*10

0111  
Pan Head Screw  
M2\*12



# Sale parts view

0001



Chassis

0002



Left rear axle

0003



Right after the bridge

0004



Left/Right arm

0005



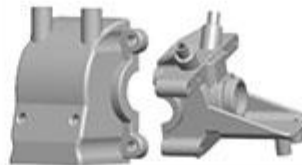
Left/Right steering Cup

0006



Left/Right Block C

0007



Wavefront box

0008



Floor board assembly

0009



Dust cover

0010



Steering connecting piece

0011



Differential planet teeth

0012



12T driving gear

0013



Differential planet gear

0014



Asterold differential gear

0015



Reduction gear

0016



Front suspension

0017



Rear Shock

0018



Steering rod

0019



Steering rod

0020



Arm leverA

# Sale parts view

0021



Arm lever B

0022



Rear axle rod

0023



After the arm

0024



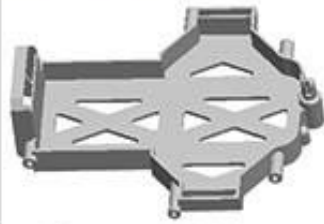
After the shaft sleeve

0025



After the drive shaft

0030



Battery Holders

0031



Battery layering

0032



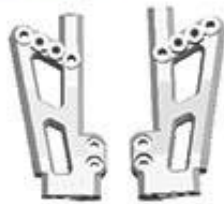
Servo seat

0033



Steering arm

0037



Left/Right rear suspension frame

0038



Left/Right after the car shell column bracket

0039



Left/Right after the bridge lever positioning piece

0040



Differential case

0041



Rear axle joints

0042



Left/Right Rear swing arm holder

0043



Left/Right Commutator left

0044



Combiner

0045



Hub

0046



Wheel hub cover

0047



Under the hub cap

# Sale parts view

0048



Sponge

0049



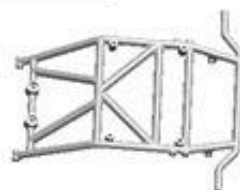
Rollcage left

0050



Rollcage Right

0051



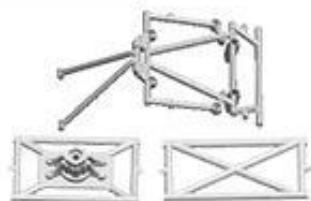
Rollcage in A

0052



Climbing  
before crash

0054



Rollcage in

0055



Riders head

0056



Circuit board

0057



Left tire

0058



Right Tire

0060



Seat

0062



Car shell folder

0063



A swing arm stiffener

0064



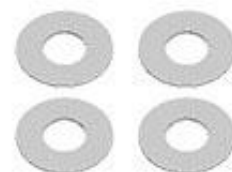
Arm strengthen  
slice B

0065



Motor seat

0066



Gasket  
12 \* 5.2 \* 0.2

0067



Shock  
adjustment ring

0068



Shock  
adjustment ring

0069



M2 \* 4 screws

0070



Left tire assembly

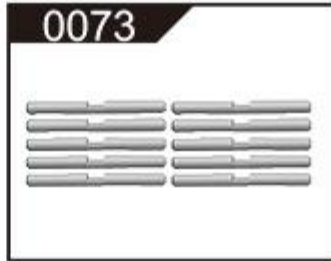
# Sale parts view



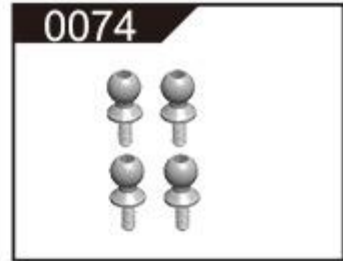
0071 Right tire assembly



0072 Locating Pins



0073 Differential shaft



0074 Ball screws 4.8\*11.5



0075 Ball C



0076 Ball B



0077 Ball A



0078 Axle cup



0079 Universal bushings



0080 Propeller shaft



0081 Then cup



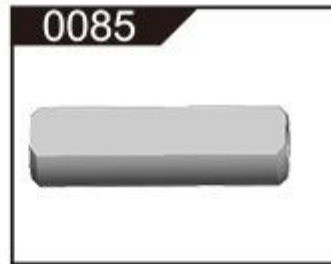
0082 Central shaft



0083 Cardan shaft Cup



0084 Reduction pinion



0085 Active rear axle pinion



0086 Gimbal



0087 Rear axle shaft



0088 Motor gear



0089 Steering damper spring



0090 Front-wheel drive shaft

# Sale parts view

0091



Front differential

0092



Bearing 5\*9\*3

0093



Bearing 8\*12\*3.5

0094



Bearing 7\*11\*3

0095



Bearing 5 \* 11 \* 4

0096



Screw the lower  
haft steps M2.5\*40

0097



Pan head screws  
M3\*10

0098



Jimi screws  
M3\*3

0099



Pan head screws  
M3\*14

0100



Dish headband  
mediated M2\*8

0101



Pan Head Screw  
M2.5\*8

0102



Pan Head Screw  
M2.5\*10

0103



Pan Head Screw  
M2.5\*12

0104



Pan Head Screw  
M2.5\*14

0105



Pan Head Screw  
M2.5\*16

0106



Pan Head Screw  
M2.5\*20

0107



Pan Head  
Screw M4\*12

0108



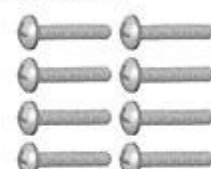
Pan Head Screw  
M3\*7

0109



Pan Head Screw  
M2\*8

0110



Pan Head Screw  
M2\*10

# Sale parts view



0111

Pan HeadScrew  
M2\*12



0112

Pan Head Screw  
M2 \* 20



0113

Flat Head Screw  
M2.5\*6



0114

Flat Head Screw  
M2.5\*8



0115

Flat Head Screw  
M2.5\*10



0116

Flat Head Screw  
M2 \* 8



0117

Flat Head Screw  
M3\*8



0118

M2.5 nut



0119

M4 nut



0120

25g servos



0121

540 Motor



0123

Battery



0124

Charger



0125

Medium plate headband  
M2.5\*8



0127

Then the cup spring



0128

Jimi screws M4 \* 4



0129

Headband disc  
referrals Screw  
M2.3\*8



0133

After the differential  
component



0325

Pan head with dielectric  
tooth machine screws  
M2.5\*16



0346

Shell group

## Sale parts view



Remote control



Car shell



Pan head screw steps  
M3\*12



Round head with the  
machine screw tooth  
interface M2\*10



Before the bottom  
protection aluminum



Round head  
machine screws  
M2\*25