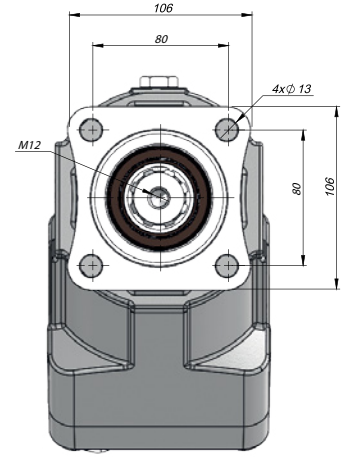
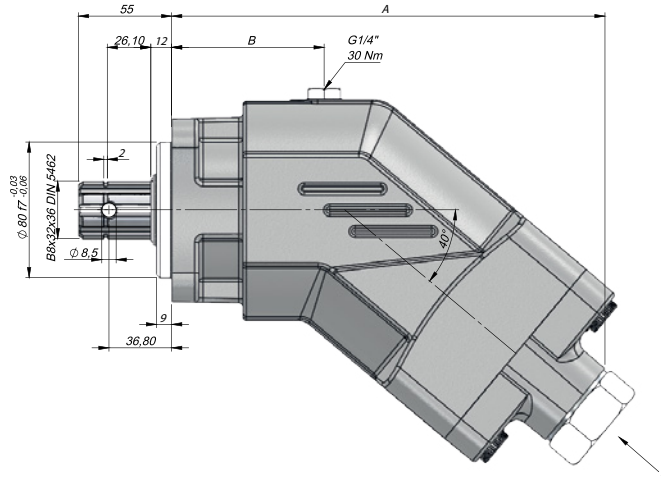
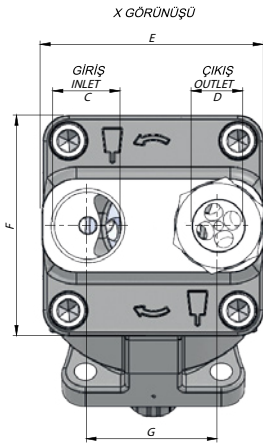


**TEKNİK VERİLER | TECHNICAL DATA**

4 DELİKLİ ISO EKSENEL PİSTONLU POMPA | 4 HOLES ISO BENT AXIS PUMP



PISTON  
PUMP

Tapaların Sıkma Torku Tightening Torque Of The Plugs	
G1/2"	55-65 Nm
G3/4"	90-100 Nm
G1"	135-160 Nm
G1 1/4"	200-230 Nm

Kod Code	İletim Hacmi Displacement (cm <sup>3</sup> /rev)	Maks.Sürekli Basınç Max.Continuous Pressure (100%)(BAR)	Min. Hız Min.Speed (RPM)	Maks. Hız Max. Speed (RPM)		A (mm)	B (mm)	C (inch)	D (inch)	E (mm)	F (mm)	G (mm)		
				(NOM)	(MAX.)									
AP022SF1(1)1 AP022SF1(2)1	22	350	400	3050	4300	180	58	G3/4"	G1/2"	89	89	52		
AP033SF1(1)1 AP033SF1(2)1	33			2750	3900									
AP045SF1(1)1 AP045SF1(2)1	45			2650	3800	210	78	G1"	G3/4"	108.7	108.7	59		
AP056SF1(1)1 AP056SF1(2)1	56			2550	3700	218	80			110.5	108	64		
AP065SF1(1)1 AP065SF1(2)1	65			2200	3200	245	94	G1 1/4"	G1"	127	118	77		
AP080SF1(1)1 AP080SF1(2)1	80			2150	3100					131.6	130			
AP107SF1(1)1 AP107SF1(2)1	107			250	300	2000	2800	255	94	G1 1/4"	G1"	131.6	130	77
AP125SF1(1)1 AP125SF1(2)1	125					1750	2500					131.6	130	77

\* (1) - Left - Sol  
(2) - Right - Sağ

