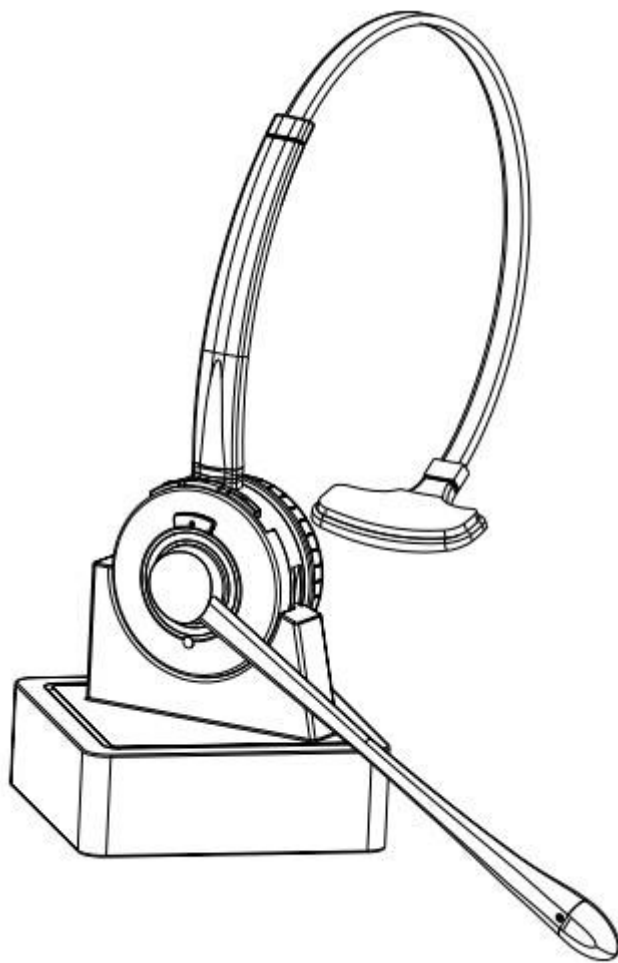


# Bluetooth Headset



**User Manual**

# User Manual

<b>1. Welcome.....</b>	<b>3</b>
<b>2. Product Overview.....</b>	<b>3</b>
2.1 Package Contents.....	3
2.2 Headset Overview.....	4
2.3 Base Overview.....	5
<b>3. Use Instructions.....</b>	<b>5</b>
3.1 9602/9603 BT Pairing with Bluetooth Device.....	5
3.2 9602/9603 BT Usage.....	7
3.3 9602/9603 BT Charging.....	8
<b>4. Features.....</b>	<b>8</b>
4.1 Headset multi-function button.....	8
4.2 Headset Speaker Volume Button.....	9
4.3 Headphone Mute Button.....	9
4.4 Headset LED Indicators.....	9
<b>5. Technical Specifications.....</b>	<b>11</b>
5.1 9602/9603 Bluetooth Headset.....	11
5.2 Headset battery.....	11
5.3 Charging Base.....	12
5.4 Product Disposal Treatment and FCC statement.....	12

# 1. Welcome

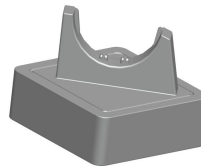
Thank you for using the new 9602/9603 Bluetooth Headset. We are confident that you will fully enjoy a range of powerful features this headset has, and also pleasantly be surprised to find the headset comfortable to wear and easy to use.

## 2. Product Overview

### 2.1 Package Contents

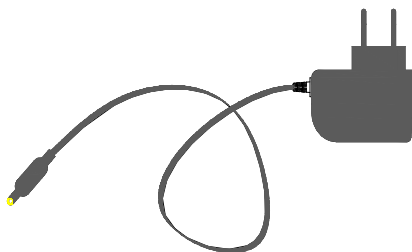


Headset

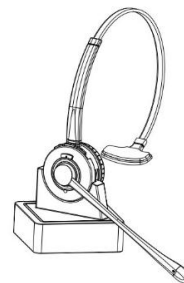


Charging base

Bluetooth Headset



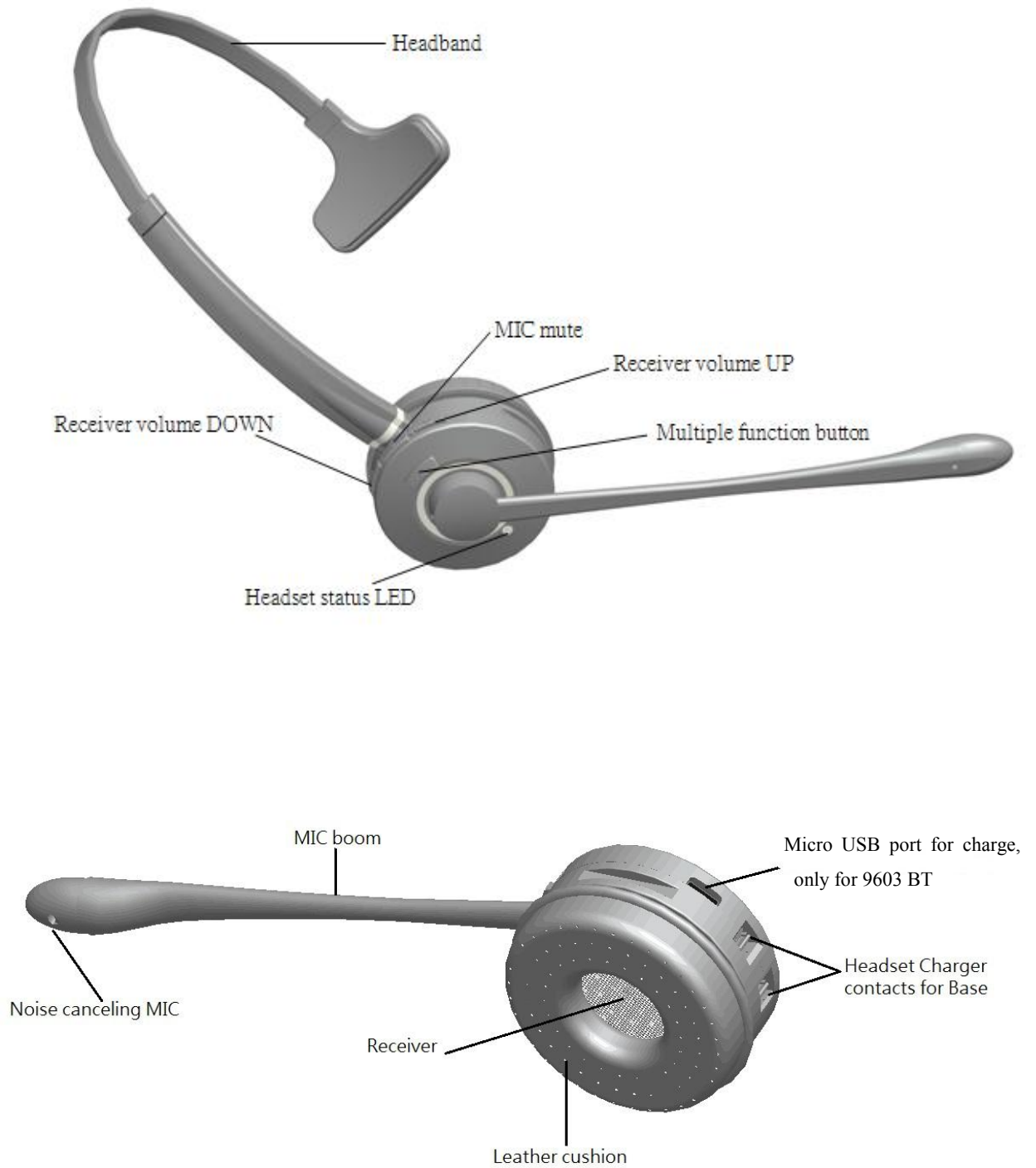
Power Adapter



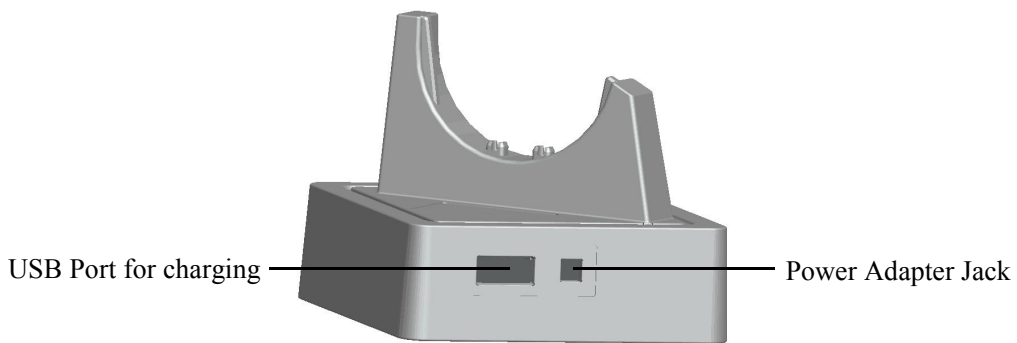
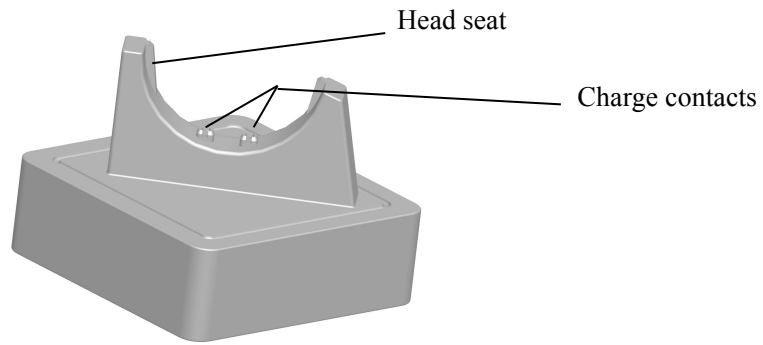
User Manual

User manual

## 2.2 Headset Overview




## 2.3 Base Overview



### 3. Use Instructions

#### 3.1 9602/9603 BT Pairing with Bluetooth Device

1. Be sure that your smart phone/ laptop with Bluetooth function.
  2. Active the Bluetooth function on your smart phone/ laptop.
  3. Turn on your headset
  4. Pairing headset with your smart phone/ laptop.
    - 1) Press the multi-function key  for more than 6s, the LED will flash red and blue alternately, which indicates the headset is in pairing mode.
    - 2) Search Bluetooth device on your smart phone/laptops. Open “Bluetooth” menu and press “discover” or “add” to search 9602/9603 BT on your smart phone/ laptop.
    - 3) When “9602/9603 BT” showing on your Bluetooth devices list, please click it to begin the pairing. Sometimes, the PIN code “0000” is required.
    - 4) If pairing is successful, the LED will turn on blue and 9602/9603 BT icon will show on your smart phone/laptop. You can make calls or listen to music now. Next time, you don't need to do pairing again, just click 9602/9603 BT icon to make connection.
  5. If pairing fails, please turn off the headset, and repeat step 4.
  6. 9602/9603 BT can pair with two devices simultaneously. If you want to pair 9602/9603 BT with another device simultaneously, please turn off Bluetooth function on the first smart phone/laptop and power off the headset. Then repeat step2,step3,step4 with the second smart phone/laptop. After pairing successfully, reactive the Bluetooth function on the first smart phone/laptop. You will find 9602/9603 BT is pairing with two devices now.
  7. If no smart phone/laptop is paired with the 9602/9603 BT within 120S in pairing mode, the 9602/9603 BT will shut down to save power consumption automatically.
  8. After getting paired with 9602/9603 BT, you can rename it on your smart phone/laptop.
- Tips: Headset is using a procedure called "pairing" to connect to a Bluetooth device.

## **3.2 9602/9603 BT Usage**

### 1. Answer a Call:

After smart phone/laptop successfully pairing with 9602/9603 BT, the headset will ring when a call coming, please press the multifunction key to answer it.

### 2. Hang up a Call

Please short press the multifunction key to hang up a call.

### 3. Microphone mute and on:

During a call, short press the MUTE button will make microphone on mute status. If short press the MUTE button again, the microphone will be on.

### 4. Volume Adjustment

Short click volume + key to increase the volume while short click volume - key to decrease it.

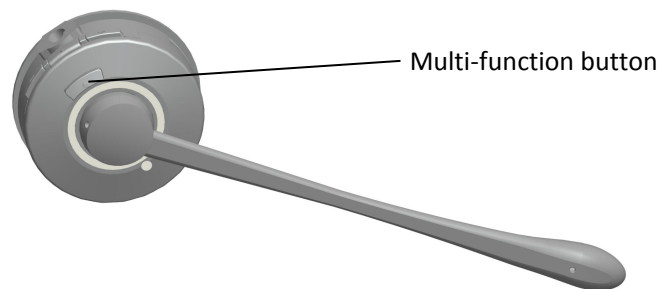
## **3.3 9602/9603 BT Charging**

9602/9603BT have two ways for charge, 1、 Use the Charge Base, When take the headset on the charger base, the headset will be charging, The red light will on. The blue light will on when it is fully charged. 2、 Use the micro USB port which on headset, you can use the cable connect to power adapter or PC USB port to charge.

## 4. Features

### 4.1 Headset multifunction button

Short or long press the Multifunctional button to answer and end a call .

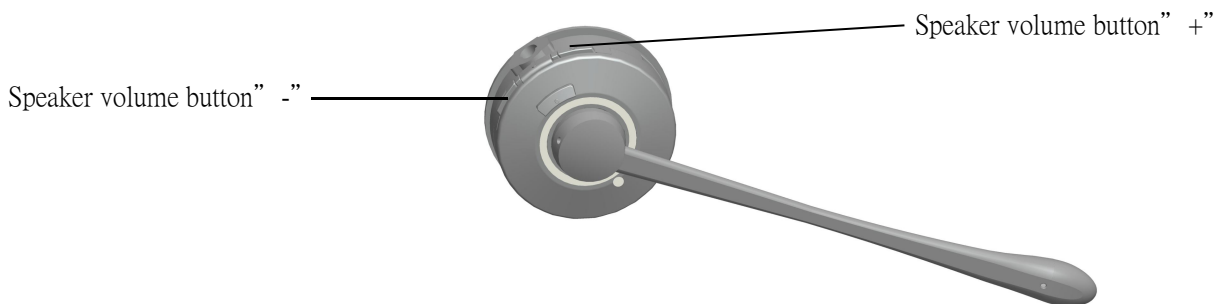


Function	Short press	Long press
Answer a call	√	
End a call	√	
Power on		<b>3s</b>
Paring		<b>6s+</b>
Power off		<b>3s</b>



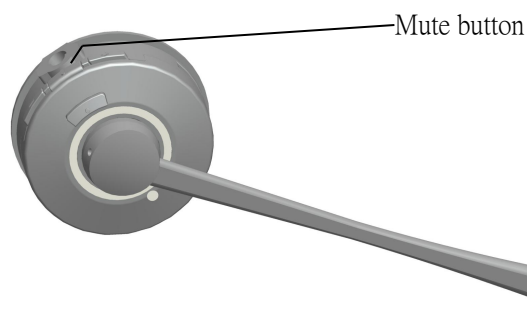
## 4.2 Headset Speaker Volume Button

The speaker volume buttons: to adjust the headset speaker volume.



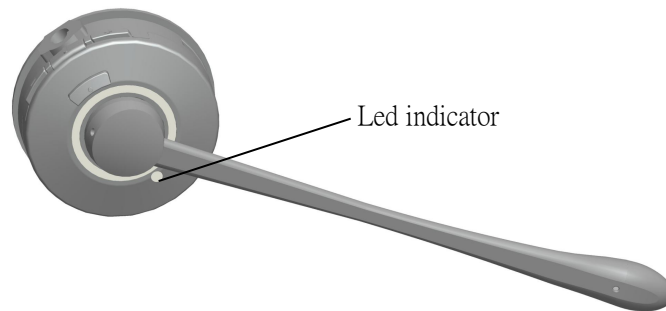
## 4.3 Headset Mute Button

Mute button: to make the microphone mute or on.



## 4.4 Headset LED Indicators

LED indicates call status



<b>Headset status</b>	<b>LED status</b>
Power on	Blue light flashes four times (300ms on, 300ms off )
Power off	Red light flashes once (2s)
Pairing mode	Blue light and red light flash alternately (red light on 750ms, blue light on 750ms)
Pairing successfully	Blue light flashes (300ms on,8s off)
Answer a call or play music	Blue light flashes (300ms on,8s off)
Charging	Red light on
Fully Charged	Blue light on

## 5. Technical Specifications

### 5.1 Headset

- Wideband audio for exceptional sound quality.
- Volume and mute controls
- Advanced hearing protection with safetone™.
- Bluetooth Version: V5.0 backward compatible.
- Advanced Multi-points
- Profile: Headset:1.2 Handsfree:1.6 A2DP
- Microphone with noise cancellation
- Crystal clear sound and voice(DSP)
- Range: up to 30m
- Talk time: 21 hours from 300mAh battery
- Stand by time: 500 hours
- Working environment: 0 ° C to +40 ° C; up to 95% relative humidity non-condensing.
- Visual indicators: LED indicates call status, pairing status and others.
- Beep: indicate volume level, microphone mute, and others.
- Sound: Mic Noise canceling, the sixth generation CVC echo cancellation ,tone control.
- Charging :When 9602/9603 BT docking the base, 9603 BT Headset can use USB cable to charge

## **5.2 Headset battery**

Battery type: Lithium-ion polymer.

Battery capacity: 300 mA per hour standard.

Battery talking time: Up to 21 hours.

Battery life: Minimum recharging 1000 times.

Battery standby time: At least 500 hours.

Operating temperature range: -20 ° C to +60 ° C.

Battery charging time: Less than 60 minutes to charge 20%.

Less than 90 minutes to charge 50%.

Fully charged in less than 3.5 hours.

Battery storage life: Before first charging, if turn off the headset, the battery will have power for six months.

## **5.3 Charging Base**

9602/9603 BT charging base meets the following specifications.

Port: DC port is Power adapter interface, USB port is output for charging to mobile phone.

Size: 81 mm x 81 mm x 67 mm.

Weight: 135 ± 5g

## **5.4 Product Disposal Treatment and FCC statement**

5.4.1 Dispose of in accordance with local regulations as headphones and recycling

regulations. Never treated headset as household waste. Do not dispose of the headset in a fire, this battery may explode. If damaged, the battery may explode.

#### 5.4.2 **FCC statement:**

This device complies with part 15 of the FCC Rules. Operation is subject to the following two conditions: (1) This device may not cause harmful interference, and (2) this device must accept any interference received, including interference that may cause undesired operation.

**Warning:** Changes or modifications not expressly approved by the party responsible for compliance could void the user's authority to operate the equipment.  
**Note:** This equipment has been tested and found to comply with the limits for a Class B digital device, pursuant to part 15 of the FCC Rules. These limits are designed to provide reasonable protection against harmful interference in a residential installation. This equipment generates uses and can radiate radio frequency energy and, if not installed and used in accordance with the instructions, may cause harmful interference to radio communications. However, there is no guarantee that interference will not occur in a particular installation. If this equipment does cause harmful interference to radio or television reception, which can be determined by turning the equipment off and on, the user is encouraged to try to correct the interference by one or more of the following measures:

- Reorient or relocate the receiving antenna.

- Increase the separation between the equipment and receiver.

- Connect the equipment into an outlet on a circuit different from that to which the receiver is connected.

- Consult the dealer or an experienced radio/TV technician for help.

#### **RF Warning Statement:**

This equipment complies with FCC radiation exposure limits set forth for an uncontrolled environment. this transmitter must not be co-located or operating in conjunction with any other antenna or transmitter.