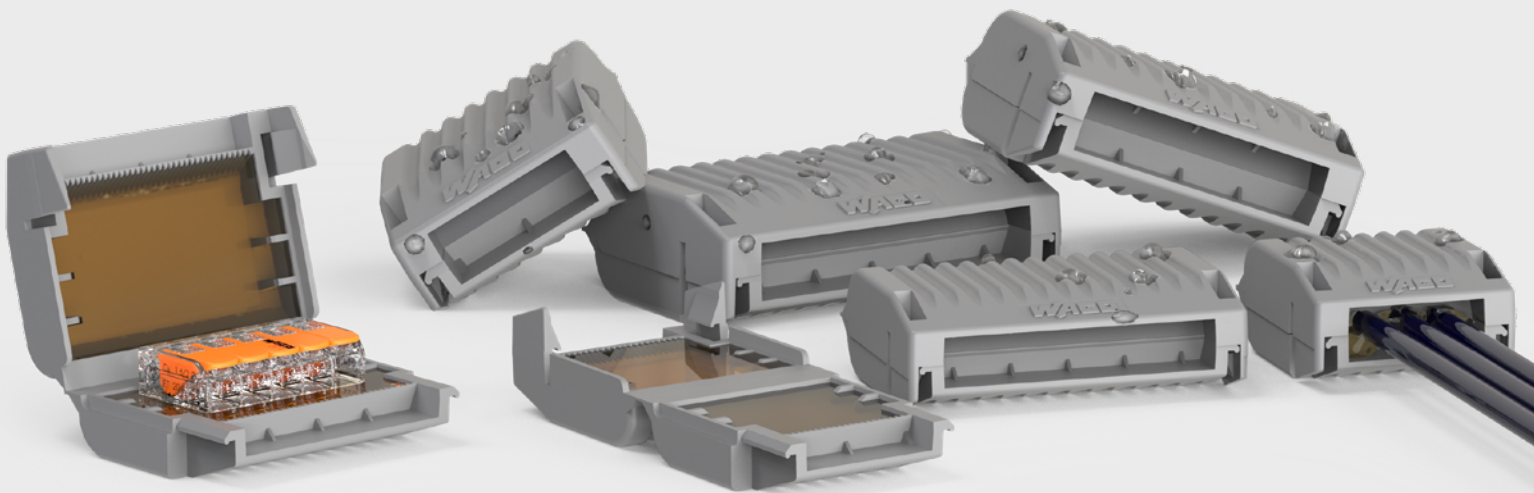




WAGO Gelbox for Splicing Connectors

Simply Protected from Moisture



Installation and Advantages

Easy Installation

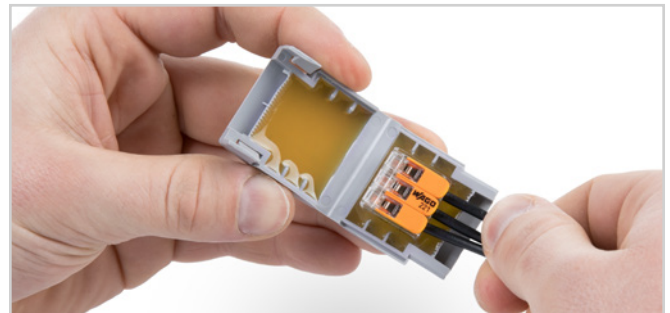
- Space-saving, compact design
- Gain even more junction box space because several connectors can be used in one Gelbox
- Easy to use through innovative design
- Readily extend circuits – thanks to fast re-accessibility

Fast Installation

- Time-saving thanks to direct commissioning, no mixing and hardening of gel mass is necessary
- Always ready for use thanks to gel-filled boxes that can be stored indefinitely



Open the Gelbox at the side latches.



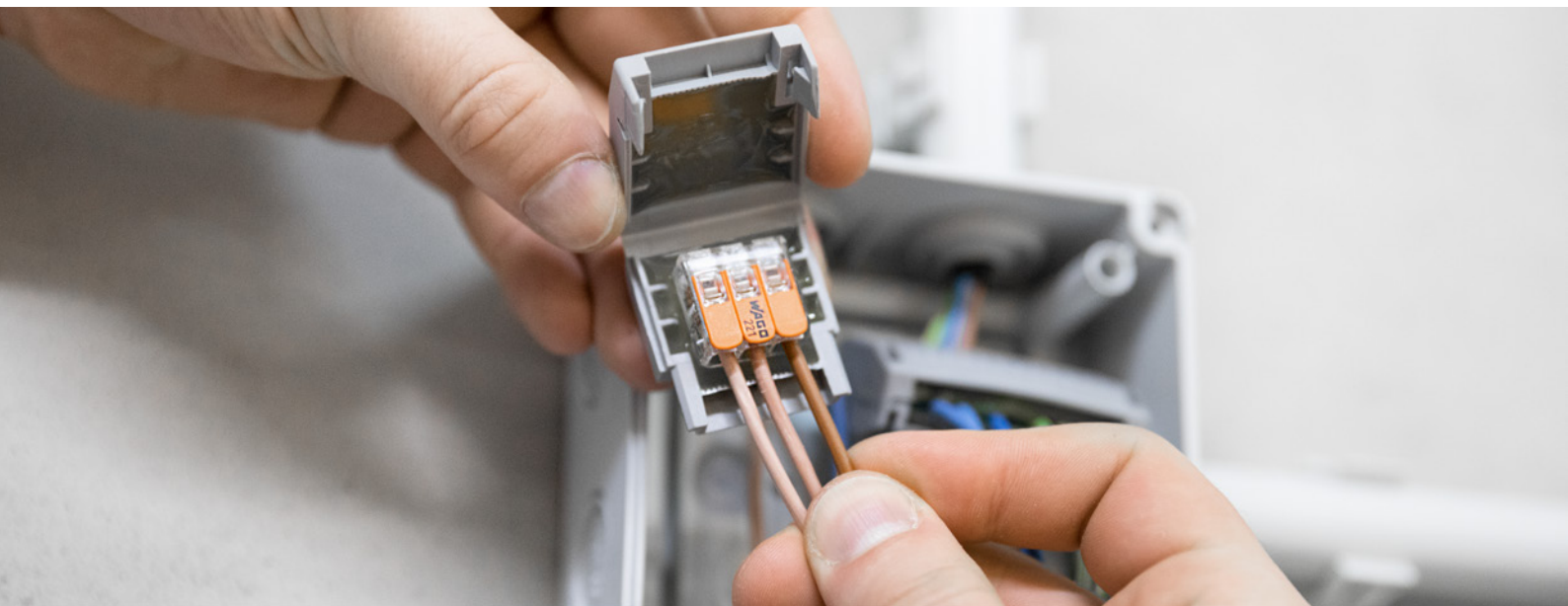
Place the wired connector in the Gelbox.



Close the Gelbox.



Simply extend circuits:
Open the Gelbox, remove gel from the connector, open the connector and connect new components to the cable.

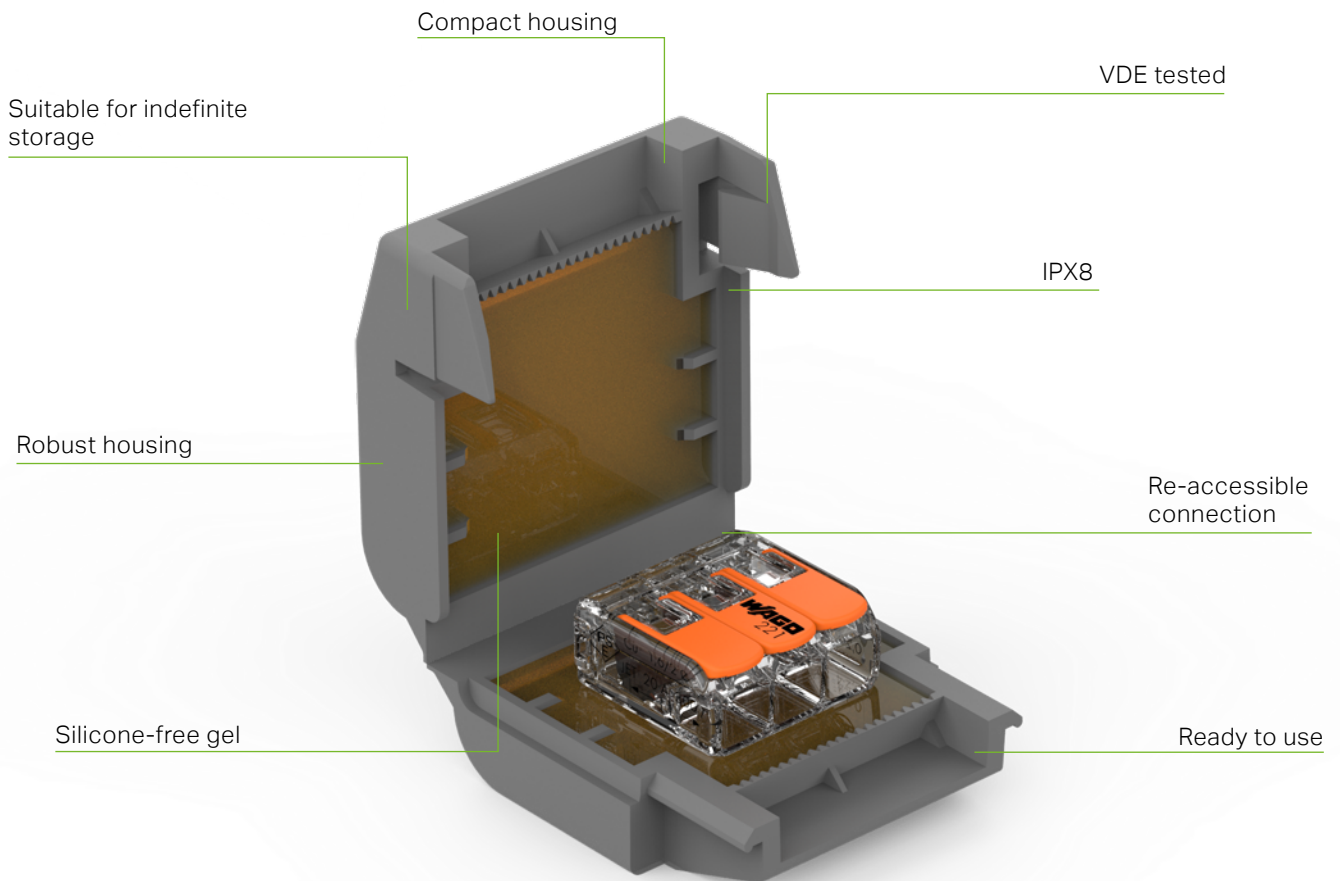


Safe Applications

- Complete system consisting of Gelbox and WAGO 221/2273 Series Connectors has been VDE-tested and IPX8-certified
- Excellent protection when Gelbox is only combined with 221/2273 Series Connectors; always the perfect gel displacement for safe installation
- IPX8 level of protection against moisture and water ingress
- Label-free Cellpack quality gel
- Stability thanks to a robust housing
- No conductor damage thanks to the flexible sealing lip

Versatile Applications

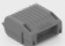
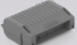
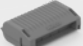
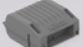

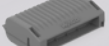
- Can be used in all branches of industry due to silicone-free gel
- Can be used in the low-voltage range with additional housing (double insulation)



Technical Data

Easy Installation

- Voltage range: see connector voltage
- Rated current: see connector current
- Rated surge voltage: 2.5 kV
- Insulation resistance: 5 MΩ
- Continuous operating temperature: 105 °C
- Surrounding air temperature: 85 °C
- Physical properties: IPX8
- Suitable for indefinite storage because the gel contains no hazardous substance according to CLP

	Description	Item Number	Pack. Unit
	Gelbox, IPX8, 221 and 2273 Series, max. 4 mm ² connectors, size 1	207-1331	4
	Gelbox, IPX8, 221 and 2273 Series, max. 4 mm ² connectors, size 2	207-1332	4
	Gelbox, IPX8, 221 and 2273 Series, max. 4 mm ² connectors, size 3	207-1333	3
	Gelbox, IPX8, 221 Series, max. 6 mm ² connectors, size 1	207-1431	4
	Gelbox, IPX8, 221 Series, max. 6 mm ² connectors, size 2	207-1432	3
	Gelbox, IPX8, 221 Series, max. 6 mm ² connectors, size 3	207-1433	2

Permitted Combinations of Connectors and Gelbox:

Item Number	221-412	221-413	221-415	221-612	221-613	221-615	2273-202	2273-203	2273-204	2273-208
207-1331	1 x 	1 x 	-				2 x 	-	1 x 	1 x 
207-1332	2 x 	-	1 x 				3 x 	2 x 	-	1 x 
207-1333	3 x 	2 x 	-				4 x 	-	2 x 	2 x 
207-1431				1 x 	1 x 	-				
207-1432				2 x 	-	1 x 				
207-1433				3 x 	2 x 	-				

Note: With other combinations, IPX8 protection cannot be guaranteed.