

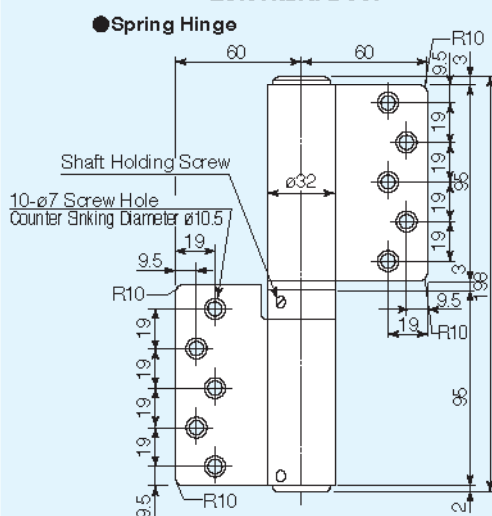
100 series

Model 113

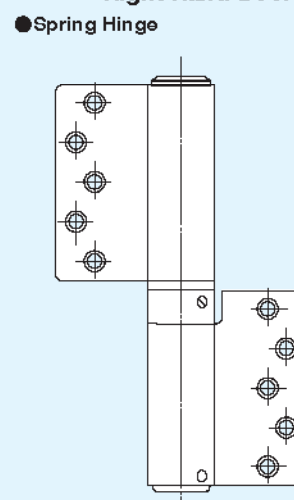
Model Number		Door Size Applicable(mm)			Door Weight (kg)	Closing Force (N·m)	Stop Mechanism	Location of Stop	Max. Opening Angle	Surface Color
Right hand door	Left hand door	W	H	D						
113R	113L	900(Max)	2100(Max)	30(Min)	60(Max)	15.0	—	85° & 150°	180° Left or Right One-side Opening	Silver
113SR	113SL									
Empty Hinge	110R									



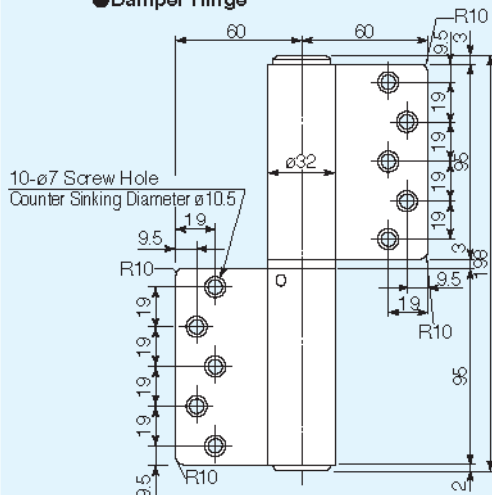
EXTERNAL DIMENSIONS Left Hand Door



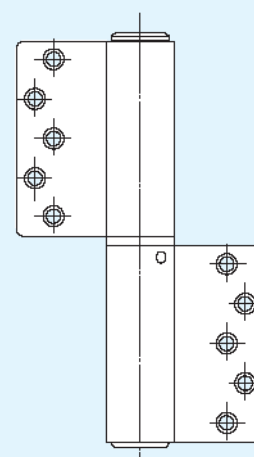
Right Hand Door



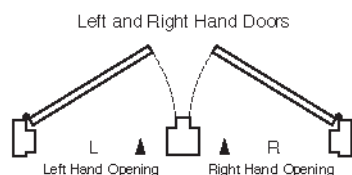
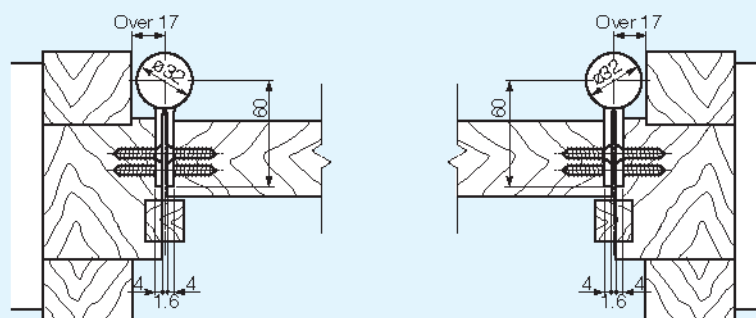
● Damper Hinge



● Damper Hinge



FITTING DIAGRAMS



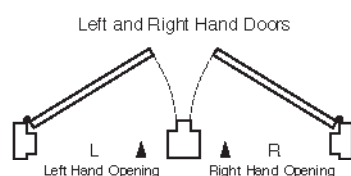
Remarks

1. The door and frame materials to which the hinge is to be fitted should be of hard wood such as lauan or harder.
2. Because the attached screws for fitting are 25mm long, the thickness of the frame should be over 25mm.
3. Allow at least 5mm of space between outer edge of door and frame.
4. The edge type is also available for the corner of leaves.
5. Surface treatment is by a baked coating of melamine resin.
6. Always allow for a door stopper to prevent the door from opening wider than 180°.

100 series

Model 113 (TRI-SET)

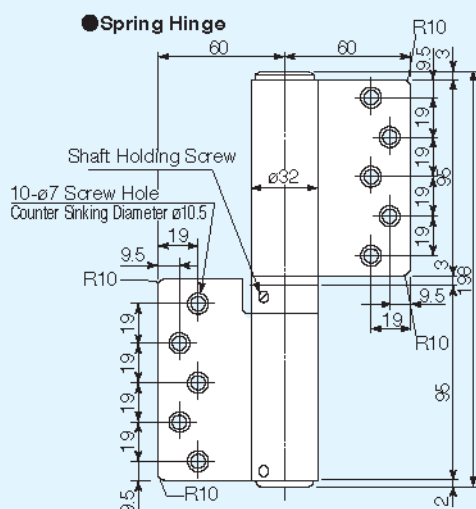
Model Number		Door Size Applicable(mm)			Door Weight (kg)	Closing Force (N/m)	Stop Mechanism	Location of Stop	Max. Opening Angle	Surface Color
Right hand door	Left hand door	W	H	D						
113R (TRI-SET)	113L (TRI-SET)	1000(Max)	2200(Max)	30(Min)	80(Max)	20.0	—	—	180° Left or Right One-side Opening	Silver
113SR (TRI-SET)	113SL (TRI-SET)						○	85° & 150°		
—							—	—		



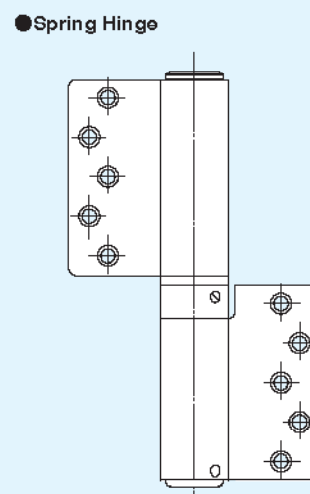
Remarks

1. The door and frame materials to which the hinge is to be fitted should be of hard wood such as lauan or harder.
2. Because the attached screws for fitting are 30mm long, the thickness of the frame should be over 30mm.
3. Allow at least 5mm of space between outer edge of door and frame.
4. The edge type is also available for the corner of leaves.
5. Surface treatment is by a baked coating of melamine resin.
6. Always allow for a door stopper to prevent the door from opening wider than 180°.

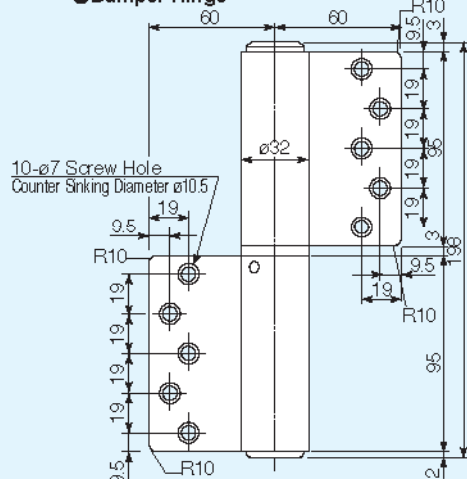
EXTERNAL DIMENSIONS Left Hand Door



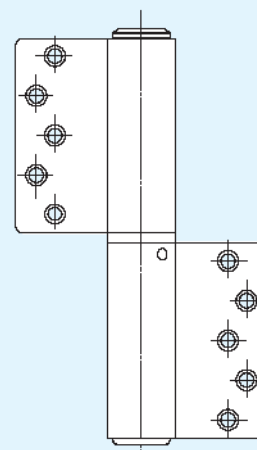
Right Hand Door



● Damper Hinge



● Damper Hinge



FITTING DIAGRAMS

