

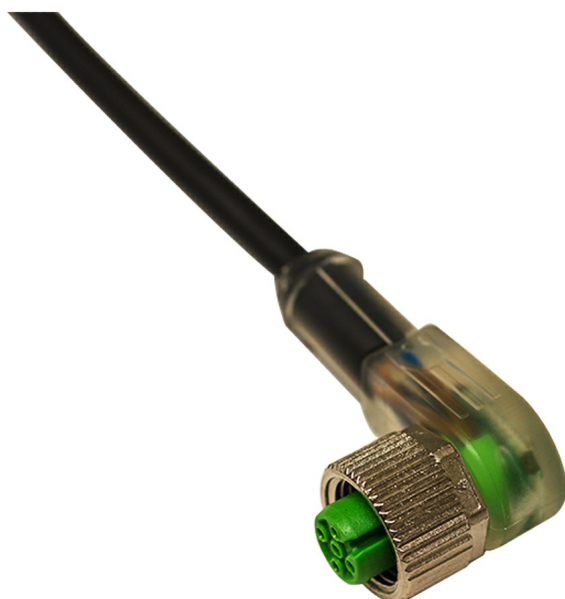
CD12M/NA-050C1

connectors

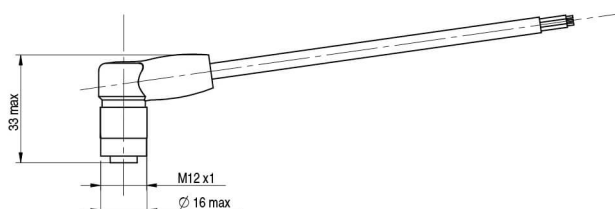
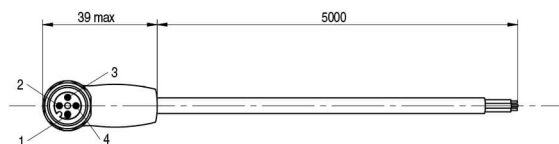


Micro Detectors

Italian Sensors Technology



Indicative image



Electrical data

Nominal current	4 A
Led	2 led
Wires	3 NO-NPN
Rated impulse voltage	2,5 kV
Nominal voltage	Max. 250 V ac/dc

Mechanical data

Tightening torque	0,6 Nm
Operating temperature	=10°C...+80°C (flexible installation)-25°C...+80°C (fixed installation)
Lenght (m)	5
Head type	90°
Plug	M12
Outer diameter	Ø 4,5 mm ± 5%
Jacket material	PVC CEI 2022 II OR
Wire isolation	PVC

Conductors section

0,25 mm² (32 x 0,10 mm²)

Model

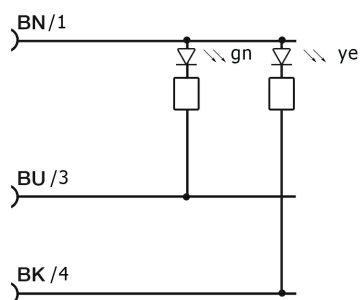
Femmina

Test/Approvals

Degree of protection

IEC IP67

ELECTRICAL DIAGRAMS OF THE CONNECTIONS



M.D.Micro Detectors S.p.A.

Strada S.Caterina, 235

41122 Modena (MO)

Tel. 059 420411

Fax 059 253973

E-mail info@microdetectors.com

date of printing

15/01/2021 18:42:41