

## DA5-050 Series

5 Watts

### Data Sheet

**Total Power: 5 Watts**  
**Input Voltage: 100 - 240 Vac**  
**# of Outputs: Single**

### SPECIAL FEATURES

- Small size 44 x 39.5 x 25 mm excluding AC pins
- High average loading efficiency 76%
- USB connector output
- -10 °C to +40 °C operating temperature range
- Protections: overvoltage, overtemperature, overcurrent, short circuit
- Reinforced isolation 3000 Vac rms
- European CoC v5 T2 & US DoE VI Compliant
- EN60950-1 Safety Standard
- One year warranty

### SAFETY

- cUL/UL 60950-1
- IEC/EN 60950-1
- CCC
- CE
- Designed to meet:
  - NOM-NYCE
  - SPRING
  - IRAM
  - C-Tick
  - NSW



### Electrical Specifications

| Input               |                                      |
|---------------------|--------------------------------------|
| Input voltage range | 90 - 264 Vac (100 - 240 Vac nominal) |
| Frequency           | 47 - 63 Hz (50 / 60 Hz nominal)      |
| Input current (max) | 200 mA                               |
| Leakage current     | 80 $\mu$ A                           |
| No load power       | <75 mW                               |
| Output              |                                      |
| Maximum power       | 5 W                                  |
| Output voltage      | 5 V                                  |
| Hold-up time        | 10 ms typical 115 Vac at full load   |

### Environmental Specifications

|                                |                                               |
|--------------------------------|-----------------------------------------------|
| Operating temperature          | -10 °C to +40 °C                              |
| Storage temperature            | -40 °C to +85 °C                              |
| Electromagnetic susceptibility | EM55022, FCC Part 15                          |
| Humidity                       | Non-condensing 5% to 95% RH                   |
| MTBF                           | >100,000 hours at full load and 25 °C ambient |

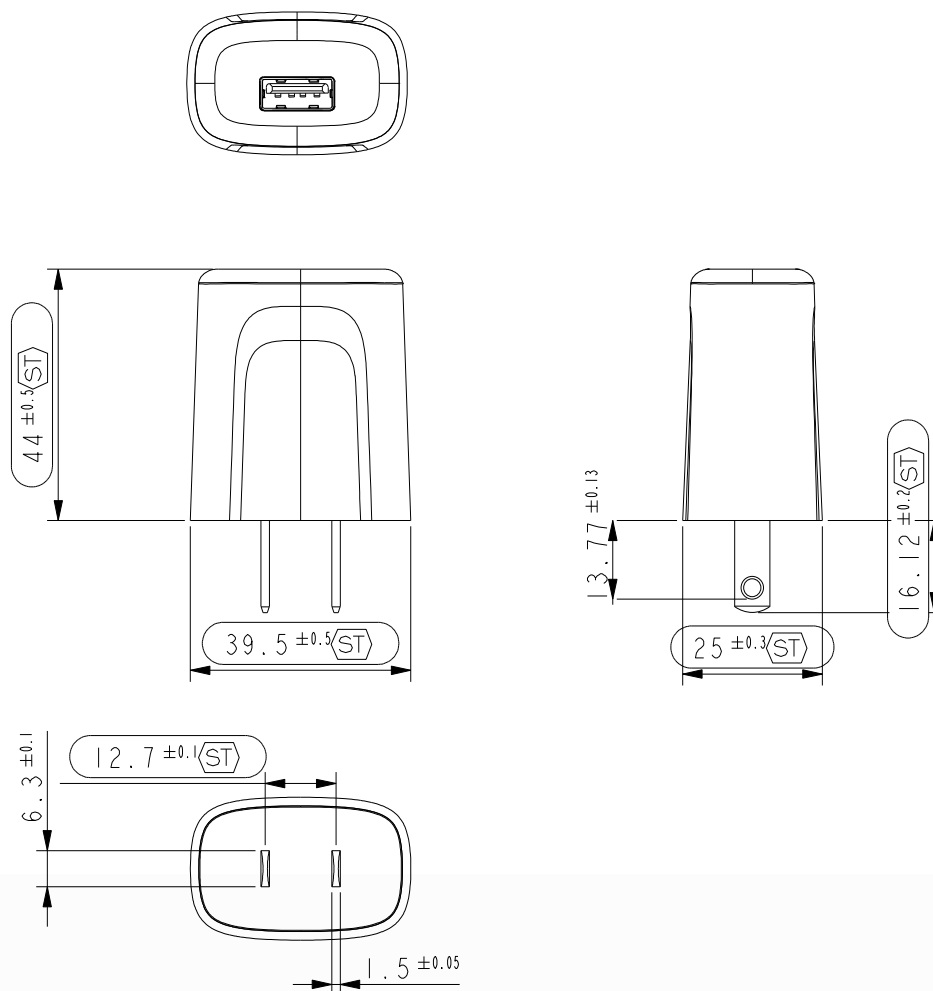
### Ordering Information

| Model Number   | Input Voltage Range | Output Voltage | Minimum Load | Maximum Load |
|----------------|---------------------|----------------|--------------|--------------|
| DA5-050US-B/-W | 90 - 264 Vac        | 5 V            | 0 A          | 1 A          |
| DA5-050CH-B    | 90 - 264 Vac        | 5 V            | 0 A          | 1 A          |
| DA5-050EU-B    | 90 - 264 Vac        | 5 V            | 0 A          | 1 A          |
| DA5-050UK-B    | 90 - 264 Vac        | 5 V            | 0 A          | 1 A          |

-B = Black

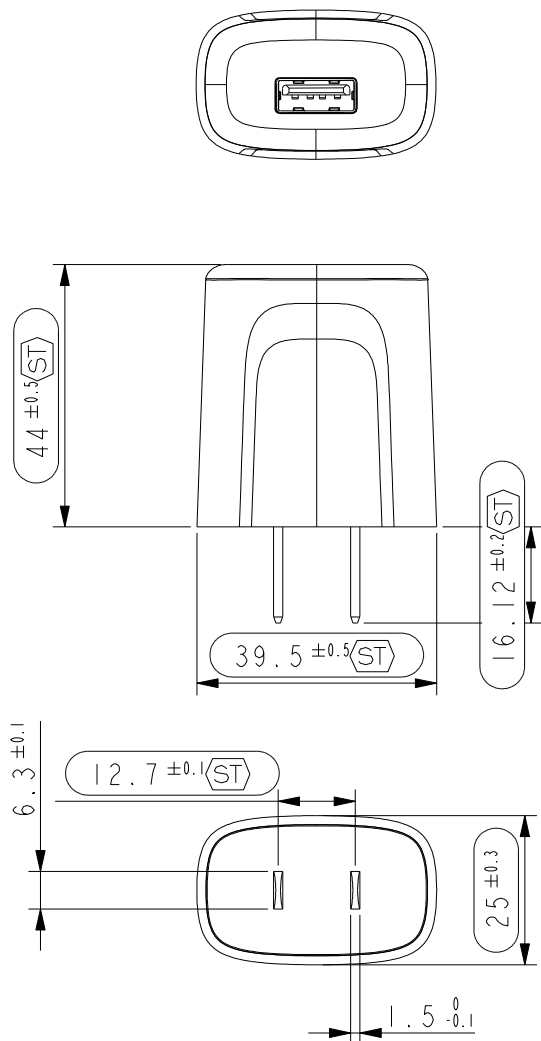
-W = White

### Mechanical Drawings - DA5-050 US



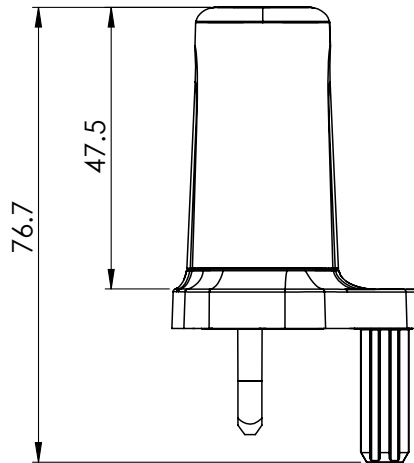
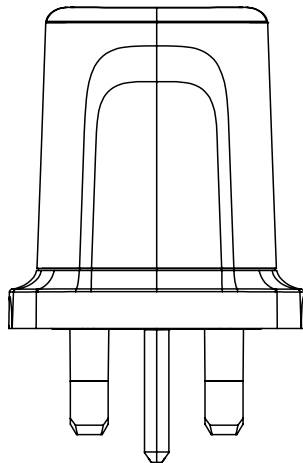
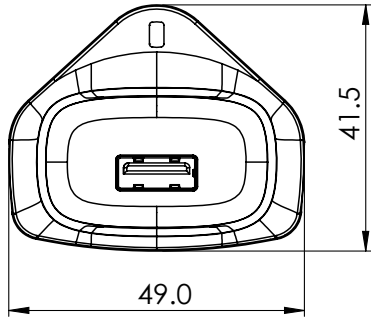
Note: All dimensions in mm.

Mechanical Drawings - DA5-050CH



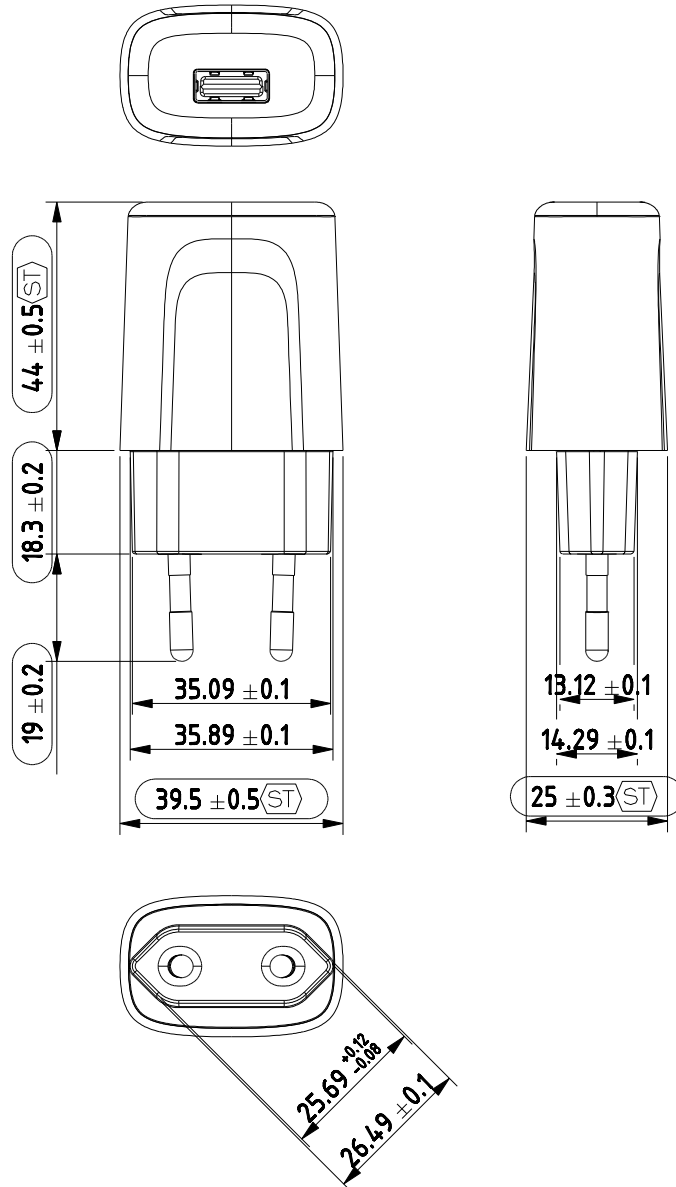
Note: All dimensions in mm.

Mechanical Drawings - DA5-050UK



Note: All dimensions in mm.

Mechanical Drawings - DA5-050EU



Note: All dimensions in mm.

WORLDWIDE OFFICES

**Americas**

2900 South Diablo Way  
Suite B100  
Tempe, AZ 85282, USA  
+1 888 412 7832

**Europe (UK)**

Ground Floor Offices, Barberry House  
4 Harbour Buildings, Waterfront West  
Brierley Hill, West Midlands  
DY5 1LN, UK  
+44 (0) 1384 842 211

**Asia (HK)**

14/F, Lu Plaza  
2 Wing Yip Street  
Kwun Tong, Kowloon  
Hong Kong  
+852 2176 3333

**ARTESYN**<sup>TM</sup>  
An Advanced Energy Company

[www.artesyn.com](http://www.artesyn.com)

Artesyn Embedded Technologies, Artesyn Embedded Power, Artesyn, and all Artesyn related logos are trademarks and service marks of Artesyn Embedded Technologies, Inc. All other names and logos referred to are trade names, trademarks, or registered trademarks of their respective owners. Specifications are subject to change without notice. © 2020 Artesyn Embedded Technologies, Inc. All rights reserved. For full legal terms and conditions, please visit [www.artesyn.com/legal](http://www.artesyn.com/legal).

For more information: [www.artesyn.com](http://www.artesyn.com)  
For support: [productsupport.ep@artesyn.com](mailto:productsupport.ep@artesyn.com)