

AZUR™ FILTRATION KIT

Replacement Parts

Filters

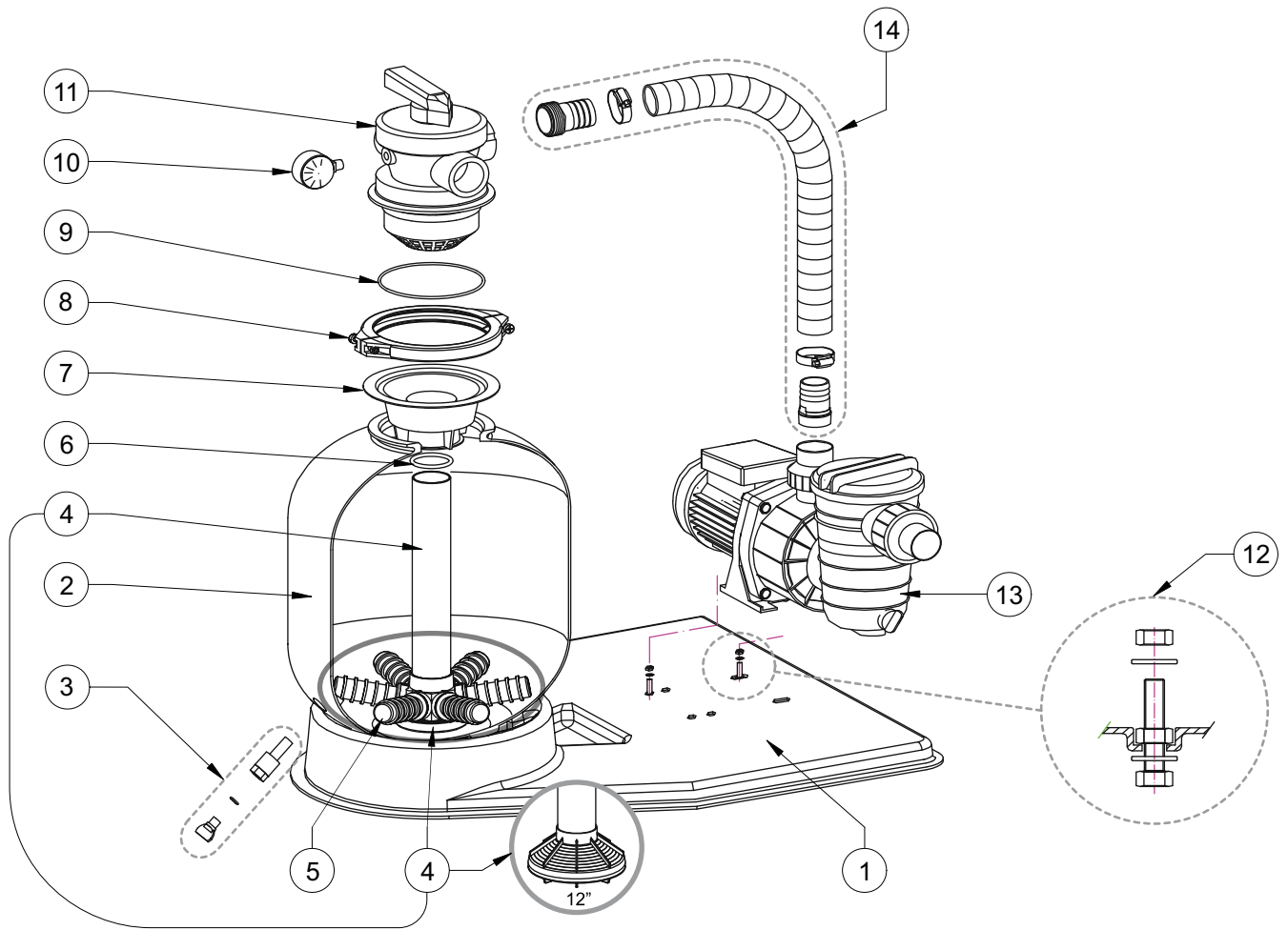
Filtration systems

Valves

Pumps

Motors

Cleaners



AZUR™ FILTRATION KIT

Replacement Parts

No.	Part No.	Description	Part No.	Includes
1	R155194	Base Plate 12"		1
	R155195	Base Plate 15" - 19" - 22"		1
2	R1217A0B	Replacement Shell 12"		1
	R1518A0B	Replacement Shell 15"		1
	R1925A0B	Replacement Shell 19"		1
	R2230A0B	Replacement Shell 22"		1
	G-15-4607	Drain Kit		1
4	RKHP330	Stand Pipe Kit 12"		1
	G-PVC-5018/3	Stand Pipe Kit 15"		1
	G-PVC-5018/4	Stand Pipe Kit 19"		1
	G-PVC-5018/5	Stand Pipe Kit 22"		1
	RSS6025260	Lateral 15"		1*
	R301904	Lateral 19"		1*
	R302404	Lateral 22"		1*
6	R281018	O-Ring		1
7	R155051	Sand Guide		1
8	R272025	Clamp		1
9	R281008	O-Ring		1
10	R152047	Manometer - Pressure Gauge		1
11**	RE272030	Valve 1 1/2" 4-Way (for 12" & 15")		1
	RE272026ND	Valve 1 1/2" 6-Way (for 12", 15", 19" & 22")		1
12	RAMKITSW	Hardware Kit		1
13***	P7242380	Pump SWIMMEY™ 0,18KW Mono Phase (SW8)		1
	P7242390	Pump SWIMMEY™ 0,25KW Mono Phase (SW10)		1
	P7242160	Pump SWIMMEY™ 0,37KW Mono Phase (SW12)		1
	P7242170	Pump SWIMMEY™ 0,55KW Mono Phase (SW15)		1
	P7242180	Pump SWIMMEY™ 0,75KW Mono Phase (SW19)		1
14	RCON1	Pump to Filter Connection Kit 12"		1
	RCON2	Pump to Filter Connection Kit 15"		1
	RCON3	Pump to Filter Connection Kit 19"		1
	RCON4	Pump to Filter Connection Kit 22"		1

* ONE FILTER REQUIRES 6 PIECES

** SEE VALVE SHEET FOR VALVE SPARE PARTS

*** SEE SWIMMEY SHEET FOR PUMP SPARE PARTS

Rev. 08/2010