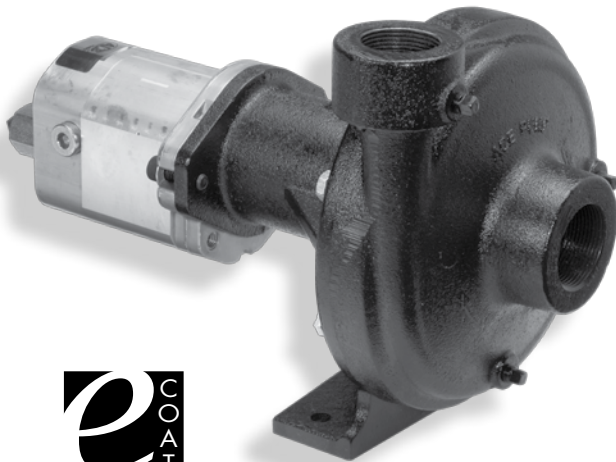




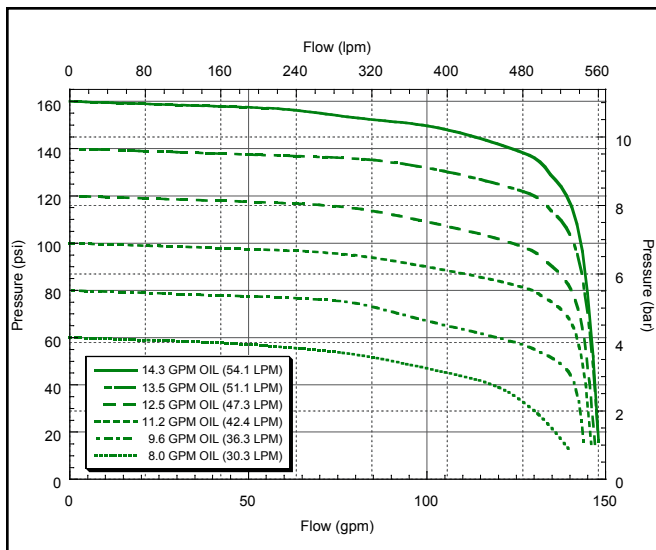
High Performance Hydraulic Motor Driven Centrifugal Pump

FMC-650-HYD FMC-650BSP-HYD

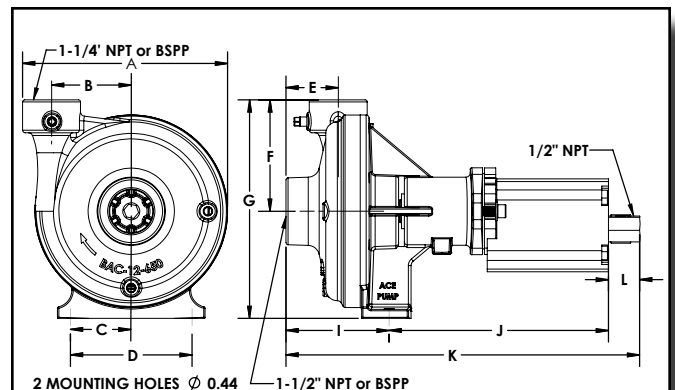


- Suction 1-1/2" NPT or 1-1/2" BSPP
- Discharge 1-1/4" NPT or 1-1/4" BSPP
- High Performance Pump
 - Maximum Flow 140 GPM (530 LPM)
 - Maximum Pressure 160 PSI (11 BAR)
 - Modified Impeller Design for Higher Pressure at Lower RPM
- Maximum Reliability
 - Operates at Lower RPM for Longer Life
 - Oversized Bearings
 - E-coat Corrosion Protection
 - Stainless Steel Shaft
 - High Efficiency 4000 PSI (275 BAR) Pressure Plated Gear Motor
 - Optional Case Drain

PERFORMANCE CHART



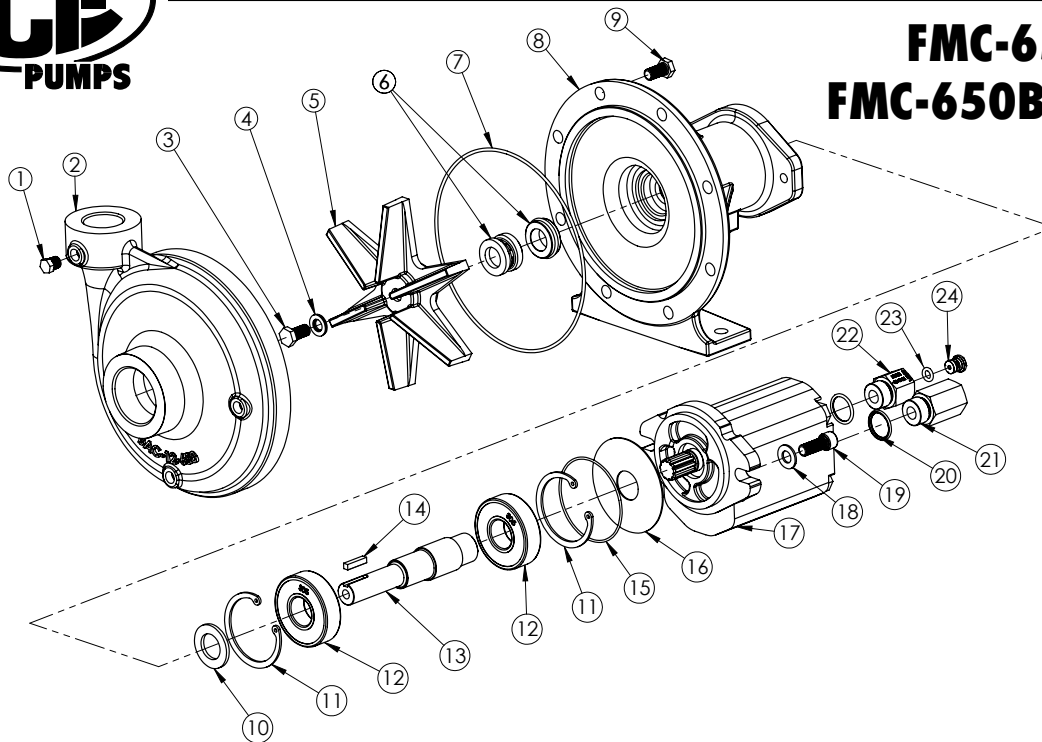
DIMENSIONS



	A	B	C	D	E	F	G	I	J	K	L
INCHES	8.88	3.50	2.63	5.25	2.38	4.92	9.60	4.64	8.82	14.96	1.50
MM	225.5	88.9	66.8	133.4	60.5	125.0	243.8	117.9	224.0	380.0	38.1



FMC-650-HYD FMC-650BSP-HYD



REF. #	PART NUMBER	EDP #	DESCRIPTION	REQ.
1	BAC-53	41110	Pipe plug, 1/8" NPT, hex head	3
1	41120	41120	Pipe plug, 1/8" NPT, hex head, stainless steel (optional)	3
2	BAC-12-650	30163	Volute, 1-1/2" NPT x 1-1/4" NPT, cast iron, e-coated	1
2	BAC-12-650-BSP	30153	Volute, 1-1/2" BSPP x 1-1/4" BSPP, cast iron, e-coated(optional)	1
3	40930	40930	Cap screw, 3/8" NC x 3/4" hex head, stainless steel	1
4 ^{①②}	30029	30029	Washer, 3/8" O.D., sealing, stainless steel	1
5	BAC-26-650	30169	Impeller, cast iron, e-coated	1
5	BAC-26-650-SS	30191	Impeller, stainless steel (optional)	1
6 ^①	BAC-7-650	40145	Seal, carbon/ceramic/Viton®, 3/4"	1
6 ^②	BAC-7SC-650	40146	Seal, silicon carbide/Viton®, 3/4" (optional)	1
6	BAC-7-650B	40144	Seal, carbon/ceramic/Buna N, 3/4" (for aqua ammonia)	1
7 ^{①②}	BAC-4-150	40015	O-ring, volute seal	1
8	BAC-14-650-HYD	40325	Mounting frame, cast iron, e-coated	1
9	40950	40950	Cap screw, 3/8" NC x 3/4" hex head	8
9	40930	40930	Cap screw, 3/8" NC x 3/4" hex head, stainless steel (optional)	8
10	BAC-54-650	41132	Slinger, 1.5" OD x 7/8" ID	1
11	41943	41943	Snap ring, internal, mounting frame	2
12	40875	40875	Bearing, FMC-650 models	2
13	BAC-6-650-HYD-SS	40051	Shaft, 1.13" dia., 11T female spline, stainless steel	1
14	41085	41085	Key, .188 x .188 x .875, FMC-650 models	1
15	43419	43419	O-ring, flange, M Series (effective 6/15)	1
16	43414	43414	Pad, absorbent, M Series (effective 6/15)	1
17	BAC-75-HYD-M16	41359	Motor, hydraulic, pressure plated gear, 14.5 gpm	1
17	BAC-75-HYD-M16-CD	41358	Motor, pressure plated gear, 14.5 gpm, case drain (optional)	1
18	42701	42701	Washer, 3/8"	2
19	41907	41907	Cap screw, 3/8" NC x 1", socket head, stainless steel	2
20	41445	41445	O-ring, #10 SAE fitting	2
21	BAC-78-10SAE	41442	Reverse check, #10 SAE male x 1/2" NPT female	1
22	BAC-80-10SAE	41446	Body, adapter/restrictor, #10 SAE male x 1/2" NPT female	1
23	41448	41448	O-ring, restrictor insert	1
24	BAC-79-8	41447	Restrictor orifice insert, .125	1
①	RK-FMC-650	52720	Repair kit, carbon/ceramic/Viton® seal, FMC-650 models	--
②	RK-FMCS-650	52721	Repair kit, silicon carbide/Viton® seal, FMC-650 models	--

Viton® is a registered trademark of DuPont Dow Elastomers.