

CD12M/0H-050C5

connectors

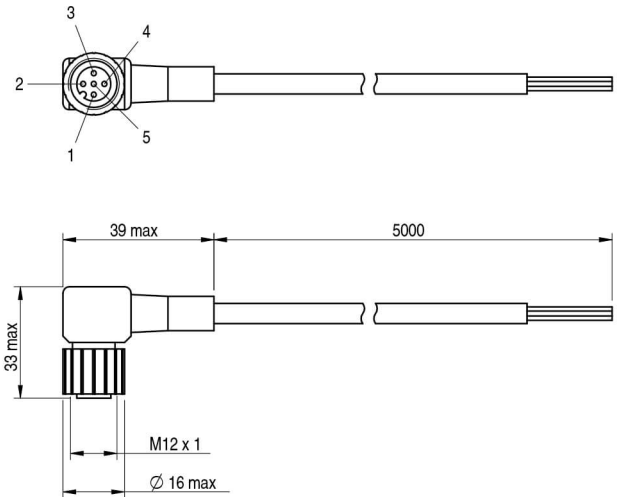


Micro Detectors

Italian Sensors Technology



Indicative image



Electrical data

Nominal current	4 A
Led	no
Wires	5
Nominal voltage	60 V

Mechanical data

Tightening torque	0,6 Nm
Operating temperature	-5°C ÷ +70°C (flexible installation)-30°C ÷ +80°C (fixed installation)
Length (m)	5
Head type	90°
Plug	M12
Outer diameter	Ø 4.5 mm ± 5%
Jacket material	TPU
Wire isolation	TPU
Conductors section	0,25 mm ² (32 x 0,10 mm ²)
Model	Femmina

Test/Approvals

Degree of protection	IEC IP67
----------------------	----------

ELECTRICAL DIAGRAMS OF THE CONNECTIONS

BN/1

WH/2

BU/3

BK/4

GY/5

M.D.Micro Detectors S.p.A.

Strada S.Caterina, 235

41122 Modena (MO)

Tel. 059 420411

Fax 059 253973

E-mail info@microdetectors.com

date of printing

13/01/2021 08:34:17