



KITS



PUMPS



METERS



METERED NOZZLES



NOZZLES



WASTE OIL EQUIPMENTS

EASY K400

FEATURES

- **READY TO USE**
- **EASY TO CALIBRATE**
- **DOUBLE TOTALIZER**
- **ELECTRONIC RESET FUNCTION**
- **HIGH ACCURACY**
- **ERGONOMIC GRAB**
- **LOW BATTERY CONSUMPTION**
- **IP65 PROTECTION**
- **RUBBER PROTECTION**
- **ADJUSTABLE UMA CAMSHAFT**
- **SWIVEL**

The PIUSI EASY K400 is the perfect synthesis for all the needs of transferring and measuring oils. It is composed by the ergonomic EASY OIL nozzle and the K400 meter.

PERFORMANCE

UP TO

30 L/MIN

FLOW RATE

70 BAR

OPERATING PRESSURE

± 0,5%

ACCURACY

UP TO

2000 CST

VISCOSITY



EASY K400 WITH FLEXIBLE SPOUT



with rigid spout

without spout



PACKAGING

CODE	WEIGHT		PACKAGING			N. BOXES/ EUROPALLET	
	KG	LBS	MM	PCS/PALLET	PCS/BOX		
FO0984040	1,2	2,6	300X160X110		1	180	180
FO0984010	1,5	3,3	300X160X110		1	180	180
FO0984000	1,5	3,3	300X160X110		1	180	180
FO0984070	1,5	3,3	300X160X110		1	180	180
FO0984060	1,5	3,3	300X160X110		1	180	180



FILTRATION



FLUID MONITORING



TANK MONITORING



HOSE REELS



ACCESSORIES



MERCHANDISE

INDEX



AIR



ANTIFREEZE



AdBlue®



BIODIESEL



DIESEL



FOOD



GASOLINE



GREASE



KEROSENE



OIL

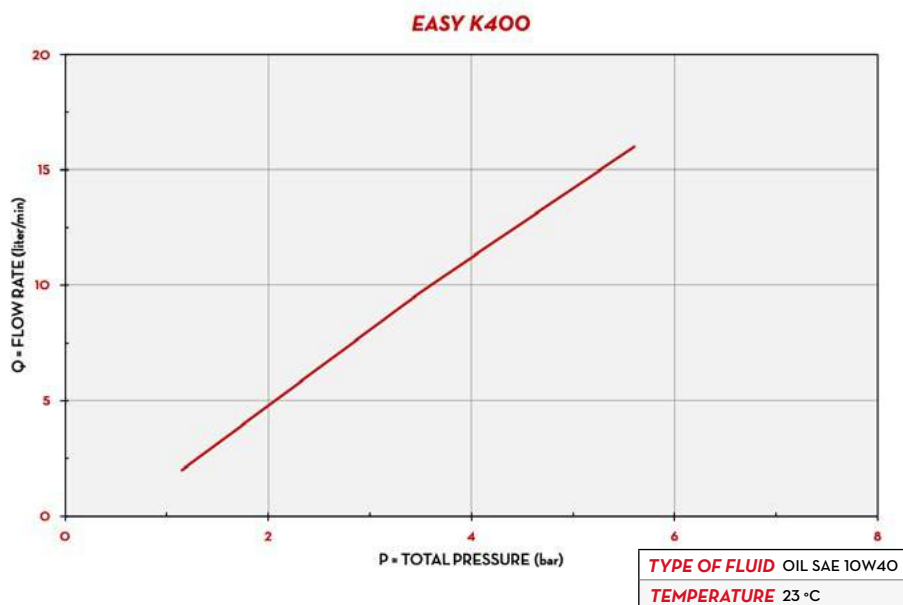


WATER



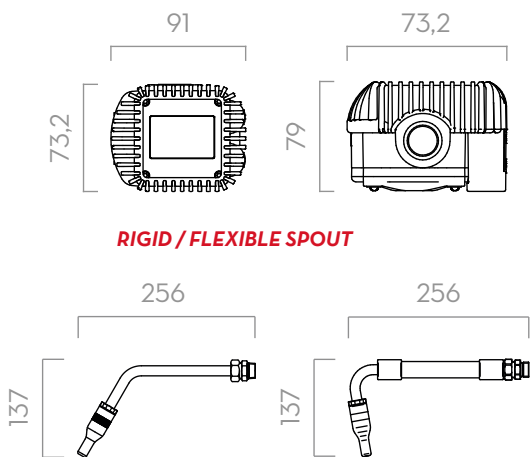
WINDSCREEN

CHART

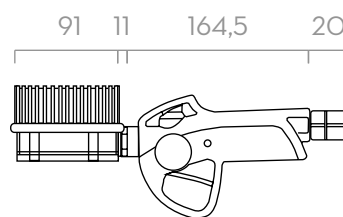


DIMENSIONS

EASY K400 METER SIDE/FRONT



EASY K400 NOZZLE METER SIDE



Dimensions expressed in millimeters

IN THE BOX

- EASY OIL NOZZLE
- K400 METER
- INSTRUCTION MANUAL

DETAILS



RESET/CALIBRATE BUTTON



MULTIFUNCTIONAL DISPLAY



METER WITH OVAL GEARS



2 AAA BATTERIES INCLUDED

MATERIALS

- NOZZLE BODY: ALLUMINIUM
- VALVE: NBR, NICKEL PLATED STEEL, BRASS
- METER BODY: ALLUMINIUM
- GEARS: TECHNOPOLYMER

TECHNICAL DATA

CODE	DESCRIPTION	FLUIDS TYPE	SPOUT TYPE	AUTOMATIC NO DRIP VALUE	FLOW RATE		WORKING PRESSURE		BATTERIES 1,5 V SIZE AAA NO.	INLET	OUTLET
					L/MIN	GPM	BAR	PSI			
FO0984040	EASY K400 1/2" BSP W/O SPOUT	○	-	-	1-30	0,26 - 7,8	70	994	2	1/2" BSP	1/2" BSP
FO0984010	EASY K400 1/2" BSP W/FLEX SPOUT HP	○	FLEXIBLE AP	YES	1-30	0,26 - 7,8	70	994	2	1/2" BSP	FLEX EXT.
FO0984000	EASY K400 1/2" BSP W/RIGID SPOUT HP	○	RIGID AP	YES	1-30	0,26 - 7,8	70	994	2	1/2" BSP	RIGID EXT.
FO0984070	EASY K400 1/2" BSP W/FLEX SPOUT LP	○	FLEXIBLE BP	YES	1-30	0,26 - 7,8	70	994	2	1/2" BSP	FLEX EXT.
FO0984060	EASY K400 1/2" BSP W/RIGID SPOUT LP	○	RIGID BP	YES	1-30	0,26 - 7,8	70	994	2	1/2" BSP	RIGID EXT.

NPT VERSION AVAILABLE - QUART, PINT, GALLON VERSION AVAILABLE. APPROVABLE VERSION ON REQUEST

EASY K400

METERED NOZZLES

89