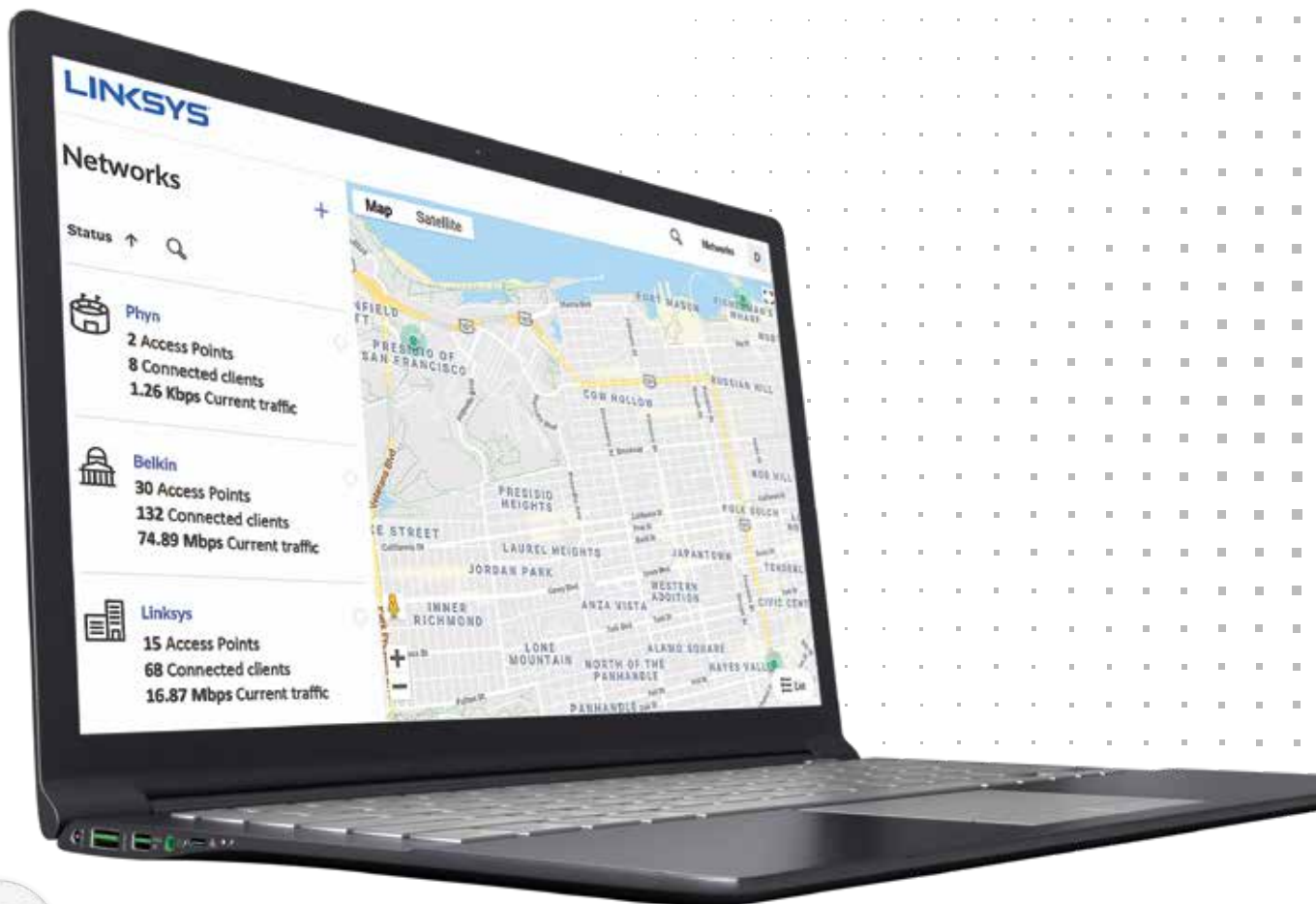


EASILY CONTROL YOUR NETWORK, ANYTIME, FROM ANYWHERE.

Multi-site cloud Wi-Fi management system purpose-built for business networks.



Compatible Access Points

LAPAC1200C
LAPAC1750C
LAPAC2600C



Lifetime Cloud Management

Completely free Cloud Management for the limited lifetime of the product.¹

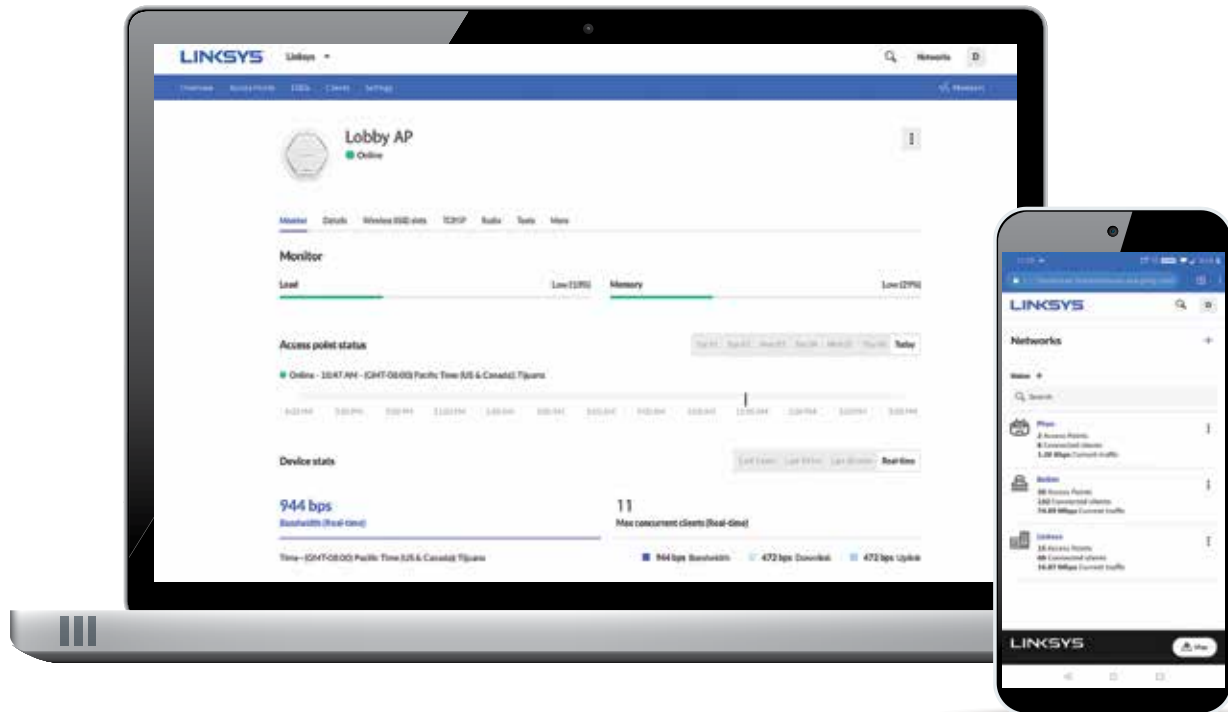


Free Technical Support

Dedicated business support line, Monday thru Friday 5am-11pm (PST).²

CONTROL YOUR NETWORKS REMOTELY, INSTEAD OF GOING ONSITE.

Get an overview of your network's health status, historical and real-time data.



Multi-Role Platform Built for Managed Service Providers

Linksys Cloud Manager is the easiest way for IT solution providers to deliver managed networking services by giving them complete visibility over network configuration and uptime. Multi-level management accounts give you the ability to set roles (owner, admin, viewer) and provide key users access to specific networks.

Simple and Responsive User Interface

Linksys Cloud Manager's intuitive user interface is fully responsive and mobile ready, allowing you to manage your networks on the go from a laptop, tablet, or mobile phone, with no additional app to download. Easily add the login page to the Home Screen (A2HS) so the Cloud Manager is always one click away.

Global Map

The organization dashboard has a unique global map view that allows you to see all of your network locations, number of devices and number of clients from a single view. Drill down further to see the status of your devices and click through to see network configurations and device statistics.

Help When You Need It the Most

Free dedicated technical support by phone, Monday thru Friday 5am to 11pm (PST)¹, means you get help when you need it the most. Why search for help online or ask questions on community forums to wait for an answer that might never come? Our support technicians are CCNA certified to ensure you get the highest level of expertise to troubleshoot your network issues quickly.

CONFIGURE YOUR ACCESS POINTS BEFORE THEY GO ONLINE.

Speed up the installation process and reduce onsite costs.

Zero Touch Deployment

Eliminate the need to configure access points on-site, saving you lots of time and money. Just enter the Serial Number and the MAC Address of the device to add an access point to the Cloud Manager. From there, all your configuration can be done in your cloud account, which can be accessed remotely from anywhere as long as you have an Internet connection. Once that access point is turned on and connected to the internet, it will dial home to the Cloud and quickly download its' configuration in seconds, not minutes or hours.

New and Improved Linksys Cloud Manager 2.0 Portal

Cloud Management goes from fast to ludicrous speed with our new Linksys Cloud Manager 2.0. Out of the box, Management Licenses get upgraded from 5 Years to LIMITED LIFETIME. Never worry again about costly cloud management licenses or what happens after they expire. Enjoy completely new features like our cloud hosted Splash Page Editor. Best of all, it's a free upgrade to all existing and new users. For full instructions on how to migrate your existing APs, go to our [Migration Guide](#).

Beautiful Splash Pages that Enhance your Brand

Most vendors host the splash page in the device, with restrictions on text and picture sizes. Linksys Cloud Manager surpasses these limitations by hosting the splash page in the cloud at no additional cost to you. With our easy to use editor, you won't need to know any HTML programming to make beautiful splash pages that communicate your brand exactly how you intend. To try it out, go to our cloud portal at <https://cloudmanager.linksys.com> and sign up for a free account.

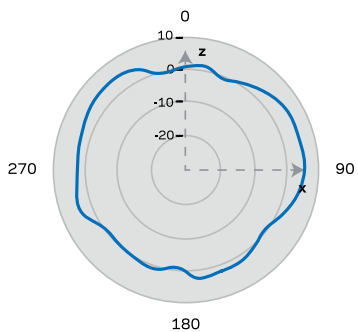
No Power Adapters Needed

Install Linksys Cloud Access Points with optimal coverage placement in a home or business by carrying data and power over the same Cat5E line. Flexible power options using Power over Ethernet+ means you don't have to install an additional costly power outlet next to the access point, even when it is mounted on a ceiling or a wall.³

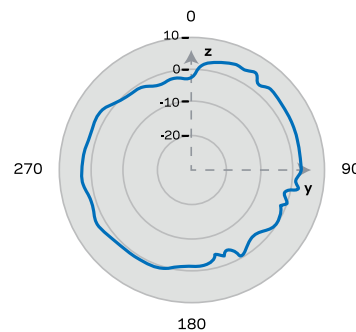
Model	Power Budget (in Watts)	LAPAC1200C (13W)	LAPAC1750C (15W)	LAPAC2600C (25W)
LGS108P	50W	3	2	1
LGS116P	80W	5	4	2
LGS124P	120W	7	6	4
LGS308P	72W	4	3	2
LGS308MP	130W	8 (7 + Uplink)	6	4
LGS318P	125W	8	6	4
LGS326P	192W	12	9	6
LGS326MP	384W	24	19	12
LGS528P	192W	12	9	6

ANTENNA PATTERNS LAPAC1200C

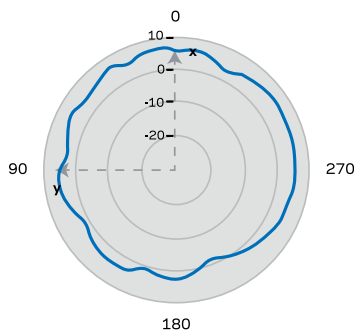
Radiation Patterns for 2.4GHz Antennas



XZ-cut

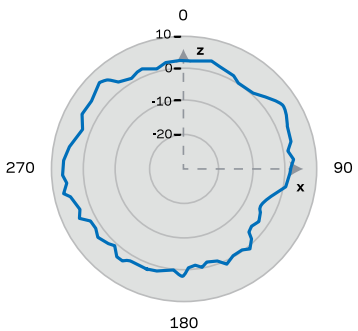


YZ-cut

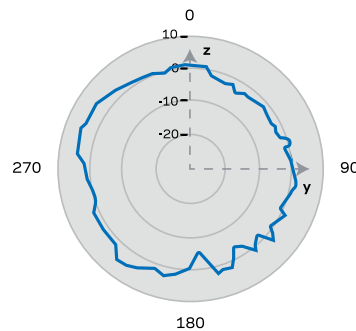


XY-cut

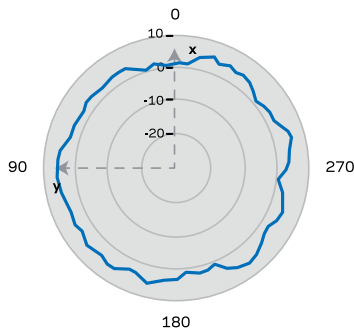
Radiation Patterns for 5GHz Antennas



XZ-cut



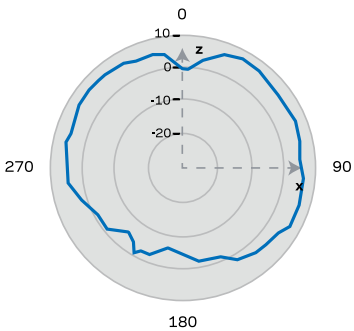
YZ-cut



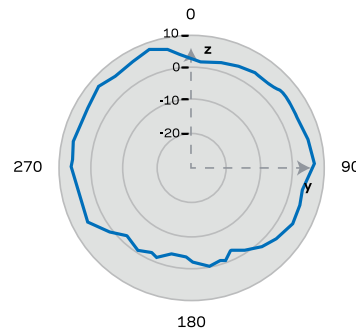
XY-cut

ANTENNA PATTERNS LAPAC1750C

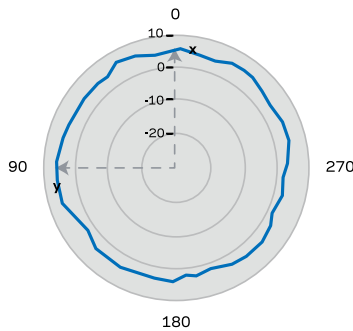
Radiation Patterns for 2.4GHz Antennas



XZ-cut

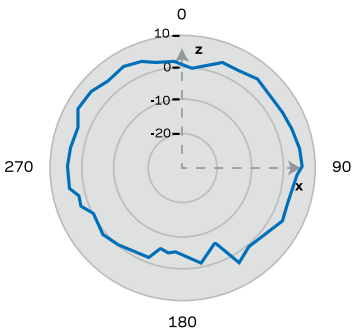


YZ-cut

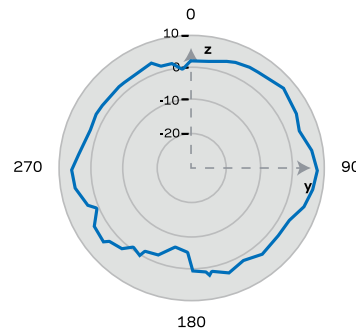


XY-cut

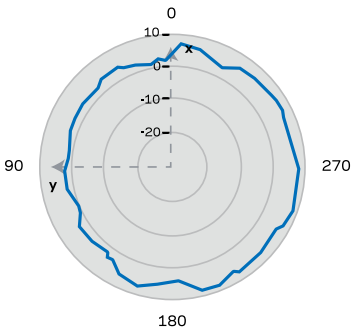
Radiation Patterns for 5GHz Antennas



XZ-cut



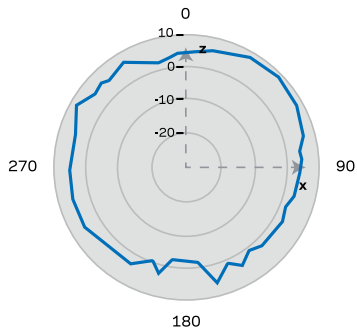
YZ-cut



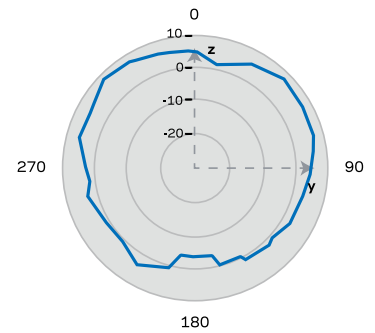
XY-cut

ANTENNA PATTERNS LAPAC2600C

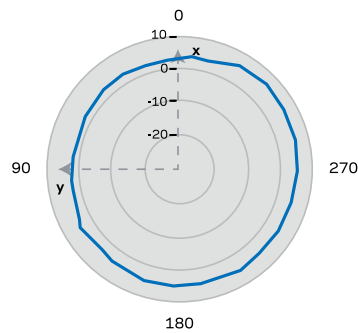
Radiation Patterns for 2.4GHz Antennas



XZ-cut

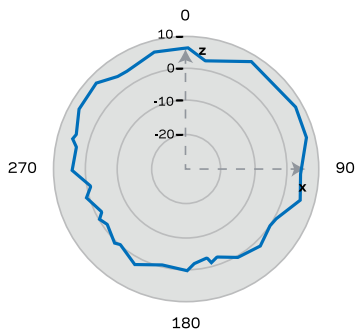


YZ-cut

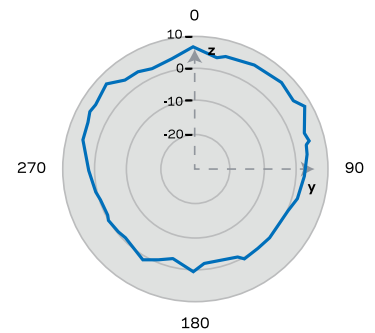


XY-cut

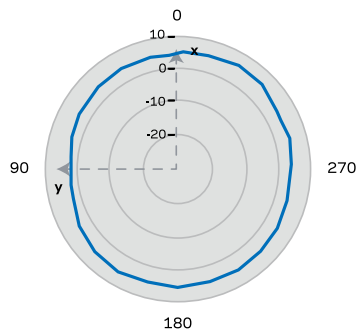
Radiation Patterns for 5GHz Antennas



XZ-cut



YZ-cut



XY-cut

HARDWARE SPECIFICATIONS

Model	LAPAC1200C	LAPAC1750C	LAPAC2600C
Standards	IEEE 802.11a, 802.11b, 802.11g, 802.11n, 802.11ac, 802.3, 802.3u, and 802.3at		
Frequency	2.4 GHz and 5 GHz (concurrent)		
MIMO	2 x 2	3 x 3	4x4 with MU-MIMO Wave 2 Support
2.4 GHz Physical Data Rate	300 Mbps	450 Mbps	800 Mbps
5 GHz Physical Data Rate	866 Mbps	1300 Mbps	1733 Mbps
Internal Antennas (2.4GHz/5GHz)	4 (2/2)	6 (3/3)	4 (Dual Band)
RF Output Power	High Power PA	High Power PA	High Power PA
PoE	802.3af/802.3at	802.3at	802.3at
Wall/Ceiling Mount	✓	✓	✓
Gigabit Ethernet	✓	✓	✓
Secondary Ethernet Port	-	-	✓
Security Lock	Kensington Lock Slot	Kensington Lock Slot	Kensington Lock Slot
LED	One System LED	One System LED	One System LED
AC Power Adapter	12V/1.5A	12V/1.5A	12V/2.5A
Hardware Reset Button	4	4	4
Concurrent Clients	No Software Limit ⁴	No Software Limit ⁴	No Software Limit ⁴
Suggested Max Number of Clients	30-60 ⁴	60-90 ⁴	90-120 ⁴
Frequency Band and Operating Channels	LAPAC1200C, LAPAC1750C, LAPAC2600C (North America): 2.412 to 2.462 GHz: 11 channels, 5.180 to 5.240 GHz: 4 channels, 5.745 to 5.825 GHz: 5 channels LAPAC1200C-EU, LAPAC1750C-EU, LAPAC2600C-EU (Europe): 2.412 to 2.472 GHz: 13 channels, 5.180 to 5.240 GHz: 4 channels LAPAC1200C-AH, LAPAC1750C-AH, LAPAC2600C-AH (Asia Pacific): 2.412 to 2.472 GHz: 13 channels, 5.180 to 5.240 GHz: 4 channels, 5.745 to 5.825 GHz: 5 channels		
Antenna Gain in dBi	CDD mode: 2.4G: 2dBi, 5G: 2dBi	CDD mode: 2.4G: 2dBi, 5G: 2dBi	CDD mode: 2.4G 2.08dBi gain, 5G: 2.45dBi gain Beamforming mode: 2.4G: 7.5dBi gain, 5G: 7.87dBi gain
Receiver Sensitivity	2.4 GHz 802.11b @11Mbps: -88dBm, 802.11g @54Mbps: -71dBm, 802.11n 20MHz @MCS7: -67dBm, 802.11n 40MHz @MCS7: -65dBm 5 GHz 802.11a @54Mbps: -71dBm, 802.11n 20MHz @MCS7: -67dBm, 802.11n 40MHz @MCS7: -65dBm, 802.11ac 20MHz @MCS8: -61dBm, 802.11ac 40MHz @MCS9: -59dBm, 802.11ac 80MHz @MCS9: -58dBm		2.4 GHz 802.11b @11Mbps: -88dBm, 802.11g @54Mbps: -74dBm, 802.11n 20MHz @MCS7: -69dBm, 802.11n 40MHz @MCS7: -66dBm 5 GHz 802.11a @54Mbps: -72dBm, 802.11n 20MHz @MCS7: -68dBm, 802.11n 40MHz @MCS7: -66dBm, 802.11ac 20MHz @MCS8: -62dBm, 802.11ac 40MHz @MCS9: -59dBm, 802.11ac 80MHz @MCS9: -56dBm
Max Transmit Power (FCC)	2.4G: 28.9dBm 5G Low (5180-5240Mhz): 25.8dBm 5G High (5745-5825Mhz): 27.4dBm	2.4G: 28.9dBm 5G Low (5180-5240Mhz): 27.7dBm 5G High (5745-5825Mhz): 29dBm	2.4G: 29dBm 5G Low (5180-5240Mhz): 26dBm 5G High (5745-5825Mhz): 27dBm
Physical Dimension (L x W x H)	243.08 x 236.98 x 43.69 mm (9.57 x 9.33 x 1.72 in)	243.08 x 236.98 x 43.69 mm (9.57 x 9.33 x 1.72 in)	243.00 x 237.00 x 43.69 mm (9.57 x 9.33 x 1.72 in)
Weight	508 g (1.12 lb)	508 g (1.12 lb)	848 g (1.87 lb)
Maximum Power Consumption	13W	15W	25W
Operating Temperature	0° to 40°C (32° to 104°F)	0° to 40°C (32° to 104°F)	0° to 40°C (32° to 104°F)
Storage Temperature	-20° to 70°C (-4° to 158°F)	-20° to 70°C (-4° to 158°F)	-20° to 70°C (-4° to 158°F)
Operating Humidity	10% to 85% (Non-Condensing)	10% to 85% (Non-Condensing)	10% to 85% (Non-Condensing)
Storage Humidity	10% to 90% (Non-Condensing)	10% to 90% (Non-Condensing)	10% to 90% (Non-Condensing)
Regulatory Certification	FCC Class B, CE Class B, IC Class B	FCC Class B, CE Class B	FCC Class B, CE Class B
Warranty Period	Limited Lifetime (most countries) ⁵	Limited Lifetime (most countries) ⁵	Limited Lifetime (most countries) ⁵

Linksys Cloud Manager Features

Features	Linksys Cloud Manager 1.0	Linksys Cloud Manager 2.0
Cloud Management License	5 Years	Limited Lifetime ¹
Cloud Portal URL	https://business.linksys.com	https://cloudmanager.linksys.com
Number of SSIDs	8	8
VLAN Support per SSID	✓	✓
WPA2 PSK, WPA2 Enterprise	✓	✓
Captive Portal with Splash Page	Device Hosted, Basic Template	Cloud Hosted, Fully Customizable
Client Blocking	20 Clients per SSID	Enhanced Blocklist (future release)
Wireless Client Isolation	✓	✓
Bandwidth Limit per SSID	✓	✓
Band Steering	✓	✓
802.11k Radio Resource Management	LAPAC2600C Only	✓
Rogue AP Detection	✓	Enhanced (future release)
Management Interface	Local Standalone or Cloud ⁴	Cloud Only
Device and Bandwidth Statistics	7 Days ⁴	Real-time Only
Event Notification	Remote Syslog, E-mail Alerts	Remote Syslog, E-mail Alerts
Ping Tool	✓	Enhanced
Blink LED	✓	✓
External Splash Page	-	✓
DHCP/NAT per SSID	-	✓
Custom DNS	-	✓
Isolate Wireless SSID from Wired LAN	-	✓
Bandwidth Limit per Client	-	✓
802.11r Fast Roaming	-	✓
802.11v Wireless Network Management	-	✓
Two Factor Authentication	-	✓
Scheduled Reboot	-	✓

¹ Cloud Management License included for the Limited Lifetime of the product at no additional cost. Extra fees may apply for add-on cloud services.

² Free Phone Tech Support at 1-877-855-6899 applies to the United States only. For all other regions, please contact your local Distributor or Linksys office for support.

³ Actual number of devices supported could vary, as more or less total PoE+ power could be available due to device usage and cable distances.

⁴ Specifications are subject to change without notice. An active, customer-purchased Internet Service Provider broadband account is required for connection of this product and other connected devices to the Internet. Some devices may require additional wireless adapters or an Ethernet cable to connect. Maximum performance derived from IEEE Standard 802.11 specifications. Actual performance may vary, including lower wireless network capacity, data throughput rate, speed, range and coverage. Performance depends upon many factors, conditions and variables, including building materials and construction, volume of network traffic, mix of wireless products used, interference and other adverse conditions. In order to achieve the best performance, this product must be used with compatible AC1200, AC1750 and AC2600 wireless devices. The standard transmission rates — LAPAC1200C: 866 Mbps (for 5 GHz radio), 300 Mbps (for 2.4 GHz), LAPAC1750C: 1300 Mbps (for 5 GHz radio), 450 Mbps (for 2.4 GHz) and LAPAC2600C: 1733 Mbps (for 5 GHz radio), 800 Mbps (for 2.4 GHz) — are the physical data rates. Actual data throughput will be lower and may depend on the mix of wireless products used and external factors. May require a software/ firmware update available for download at linksys.com/support.

⁵ Limited Lifetime Warranty applies in all countries except: Hong Kong, China, Singapore, Vietnam, India, Indonesia, Philippines, Malaysia, Thailand – 5 year warranty; France, Germany and Spain – 3 year warranty; Latin America, Australia and New Zealand – 2 year warranty.

Learn more at www.linksys.com/cloudmanager