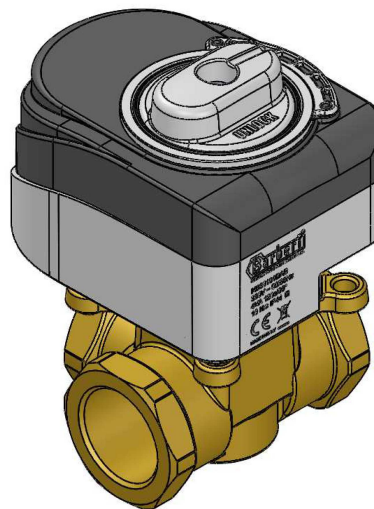
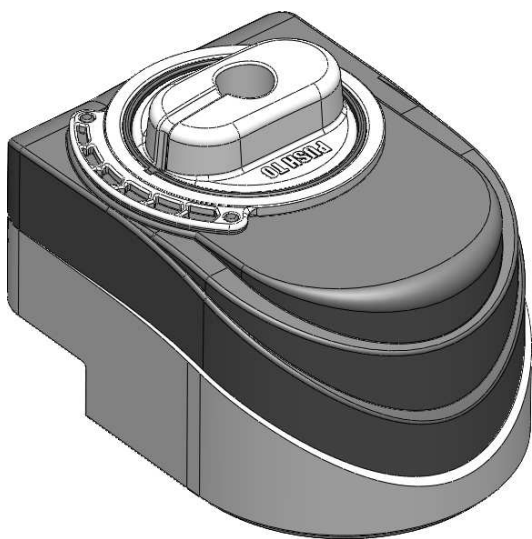


ACTUATOR FOR MIXING VALVES



Description

The actuator M03 is used for the motorised command and can be applied on all the models of Barberi's three or four way mixing valves (except flanged valves).

The rotation angle is limited to 90°. Once the function limit has been reached, an electrical disconnection takes place. In case of regulation operations or in case of failures in the system, the actuator can be brought to the manual position by pressing the handle which causes the unlocking of the transmission and therefore results in manual command.

Technical features

Rotation time: **60 - 120 sec.**
 Rotation angle: **90°**
 Torque: **10 N/m**
 Power supply: **230 Vac - 24 Vac**
 Frequency: **50Hz – 60Hz**
 Absorption: **4VA**
 Type of command: **2 point - 3 point**
 Number of poles: **3 – crimped ends**
 Cable length: **1,5m**
 Protection grade: **IP44**
 Electrical protection: **class II**
 Storage temperature: **-10° ; +50°C**
 Operating temperature: **-5° ; +50°C**
 Humidity zone: **5-95%**
 Certification: **CE**

On request:

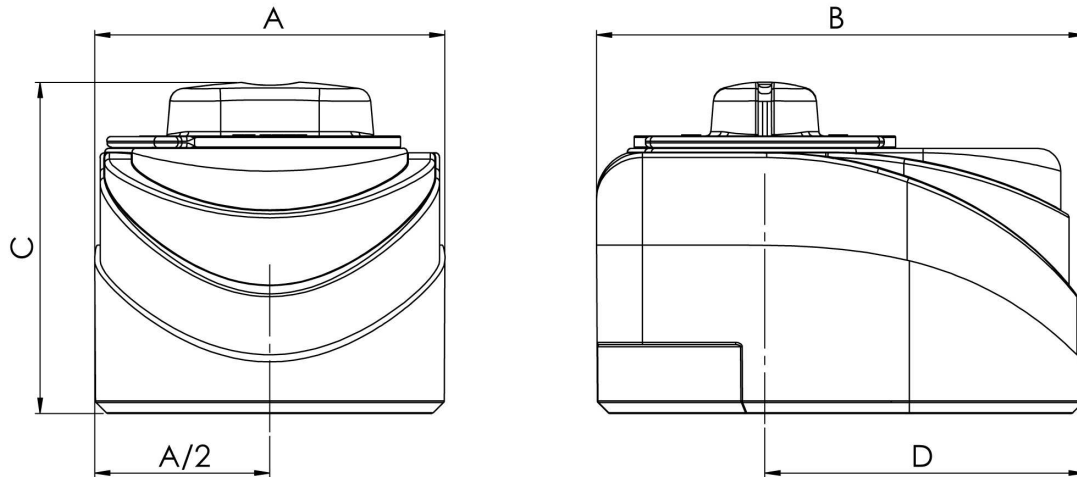
Rotation time: **25 – 90 sec.**
 Rotation angle: **180° - 360°**
 Type of command: **0-10V**
 Number of poles: **6**
 Cabling: **cable length and ends customizable.**

Materials

- Casing: **Bayblend FR**
- Shaft: **Poliammide – Zinc alloy**

ACTUATOR FOR MIXING VALVES

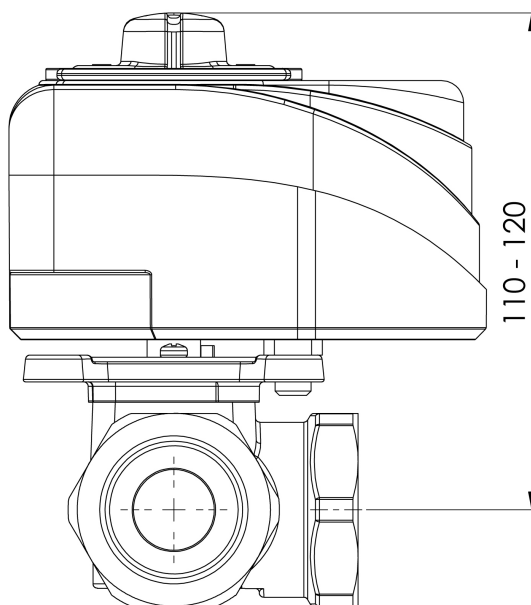
Dimensions



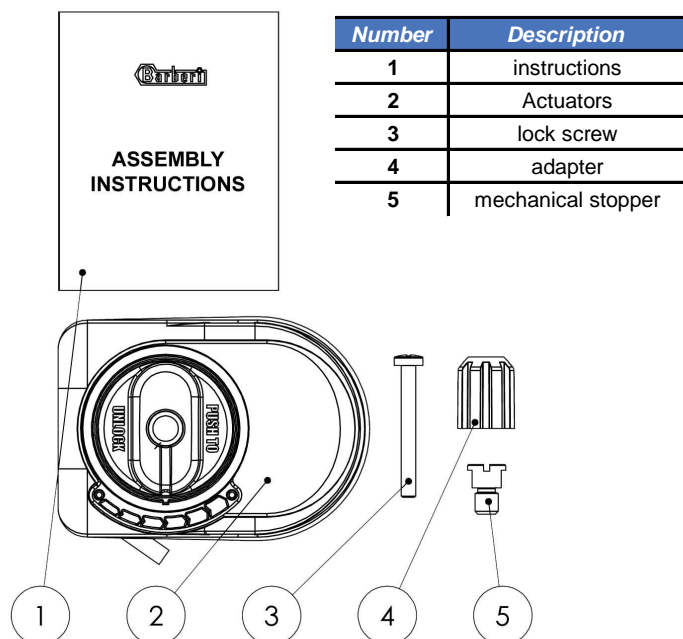
Article Code	Supply [V]	Command	Velocity [s]	Number of poles	A	B	C	D	Weight
M030101DAB	230	3	120	3	76	106	73	69,5	480 gr
M030102DAB	24	3	120	3	76	106	73	69,5	480 gr
M030101ABB	230	2	60	3	76	106	73	69,5	480 gr
M030102ABB	24	2	60	3	76	106	73	69,5	480 gr
▶ M030101GAB	230	3 + AUX	120	6	76	106	73	69,5	540 gr
▶ M030102GAB	24	3 + AUX	120	6	76	106	73	69,5	540 gr

▶ on request

Maximum dimensions with mixing valves:

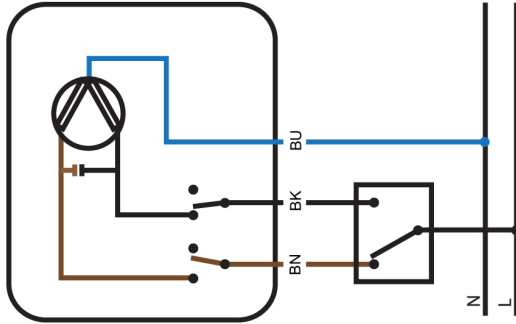


Material in the packaging:

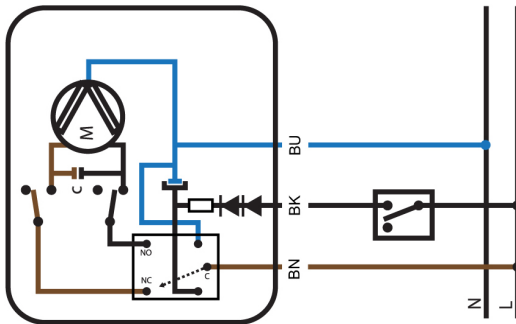


ACTUATOR FOR MIXING VALVES

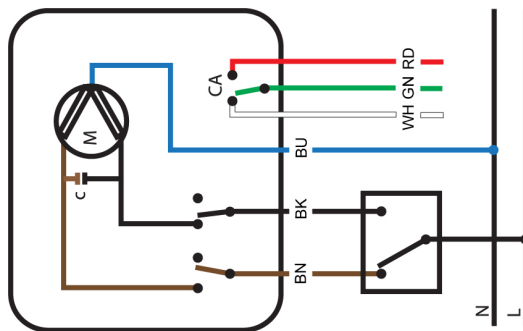
Electrical connections



Connection 3 point version	
Color	indication
BN	Clockwise Rotation
BU	Common
BK	Anti-clockwise rotation

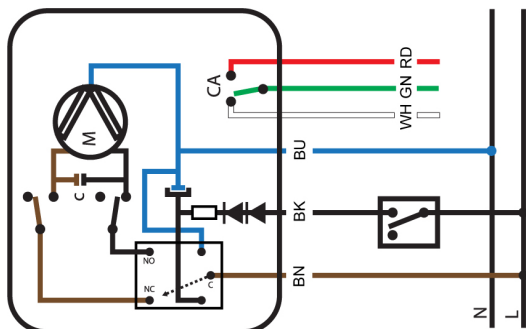


Connection 2 point version	
Color	indication
BN	Clockwise Rotation
BU	Common
BK	Anti-clockwise rotation



Connection 3 point version + auxiliary switch	
Color	indication
BN	Clockwise Rotation
BU	Common
BK	Anti-clockwise rotation
RD	Exit signal 1 NC
GN	Entrance signal
WH	Exit signal 2 NA

▶ on request



Connection 2 point version + auxiliary switch	
Color	indication
BN	Clockwise Rotation
BU	Common
BK	Anti-clockwise rotation
RD	Exit signal 1 NC
GN	Entrance signal
WH	Exit signal 2 NA

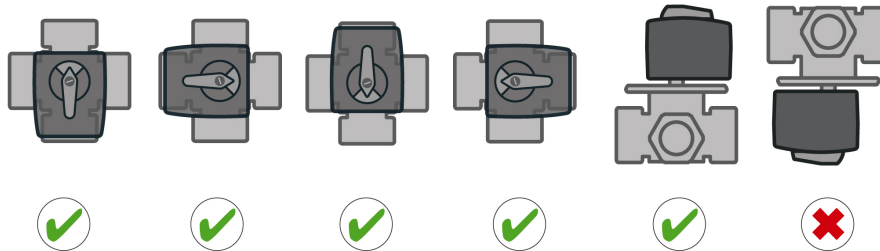
▶ on request

ACTUATOR FOR MIXING VALVES

Installation

Positioning of the actuator

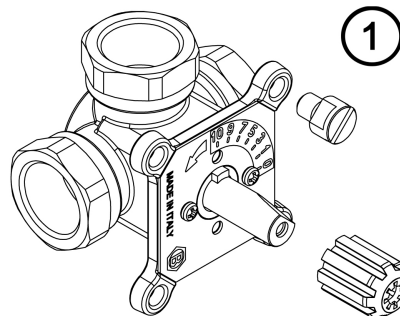
The Barberi actuator Art. **M03** can be mounted on the valve in any position independent of the position of the valve and of the chosen configuration. The actuator cannot be mounted on the valve when facing down.



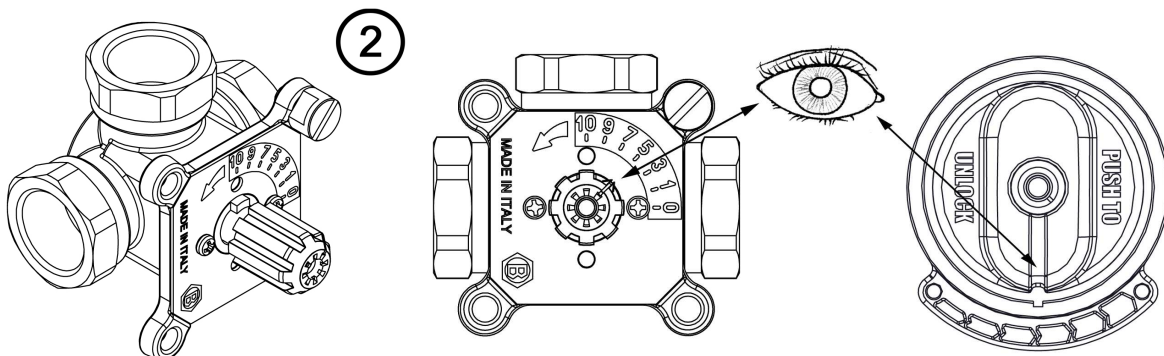
Mounting on the valve

For a correct mounting of the actuator M03, follow the below listed steps:

Step 1: Disassemble the handle of the valve when installed, assemble the operating adapter on the stem as indicated in the picture and screw the mechanical stopper on the valve.

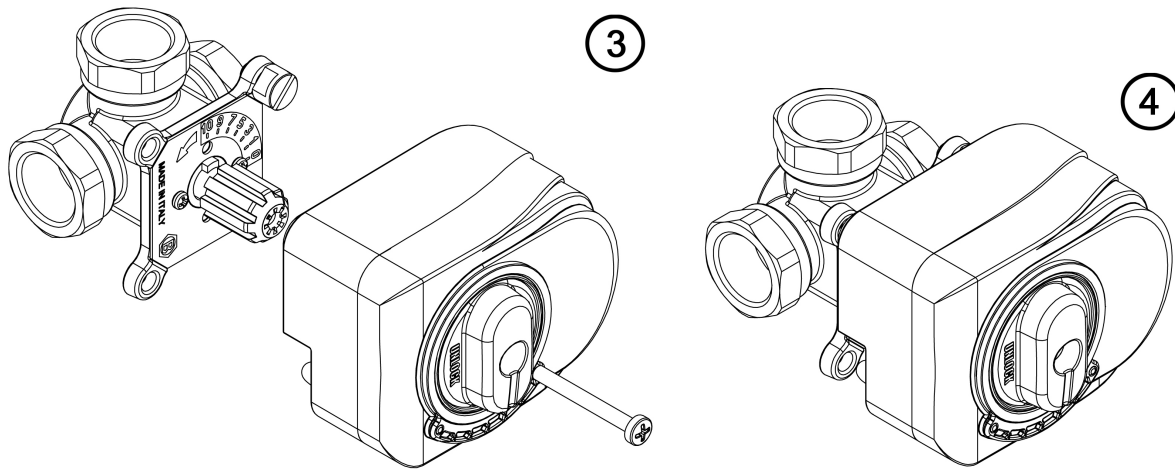


Step 2: Align the indicator present on the adapter to the position number 5 (about 45°) and verify that the handle of the actuator is in the position indicated on the drawing.



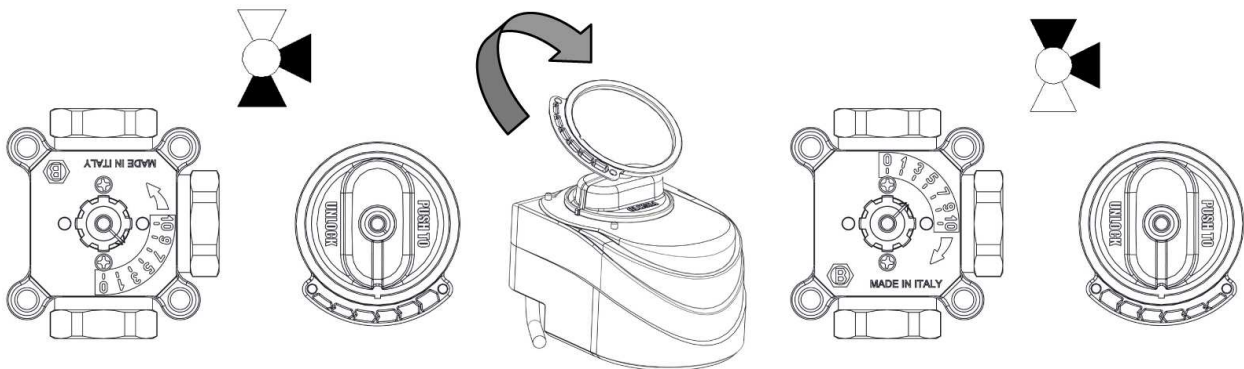
Step 3 and 4: Put the actuator on the valve by matching the transmission shaft with the adapter and the spindle and its corresponding seat in the lower part of the actuator. Screw the provided screw in order to block the actuator on the valve.

ACTUATOR FOR MIXING VALVES

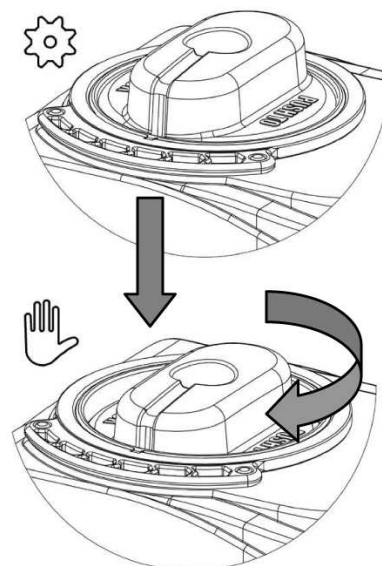


Regulation

Thanks to the reversible ring, it is possible to maintain the indication of the major or minor opening of the flow.



The M03 actuator functions in an automatic mode, in order to reset in a manual mode press the handle of the actuator and do the rotation in the desired direction. Once the rotation is done, the actuator returns in the position of automatic coupling by releasing the handle.



ACTUATOR FOR MIXING VALVES

Tender

The text of the tender is referred to a specific product code. Every change of the product obliges the modification of the text of the chapter by the planner.

Code M030101DAB

Actuator 230V~50/60Hz - 4VA - 120s/90° - 10Nm - 3 points - IP44 - isolation in class II - Cable 3 poles 1,5m stapled – delivered in neutral box with adapter, spindle M8 and attached instructions.

Code M030102DAB

Actuator 24V~50/60Hz - 4VA - 120s/90° - 10Nm - 3 points - IP44 - isolation in class II - Cable 3 poles 1,5m stapled – delivered in neutral box with adapter, spindle M8 and attached instructions.

Code M030101ABB

Actuator 230V~50/60Hz - 4VA - 60s/90° - 10Nm - 2 points - IP44 - isolation in class II - Cable 3 poles 1,5m stapled - delivered in neutral box with adapter, spindle M8 and attached instructions.

Code M030102ABB

Actuator 24V~50/60Hz - 4VA - 60s/90° - 10Nm - 2 points - IP44 - isolation in class II - Cable 3 poles 1,5m stapled - delivered in neutral box with adapter, spindle M8 and attached instructions.

Code M030101GAB

Actuator 230V~50/60Hz - 4VA - 120s/90° - 10Nm - 3 points + Aux - IP44 - isolation in class II – Double cable 3 poles 1,5m stapled - delivered in neutral box with adapter, spindle M8 and attached instructions.

Code M030102ABB

Actuator 24V~50/60Hz - 4VA - 120s/90° - 10Nm - 3 points + Aux - IP44 - isolation in class II – Double cable 3 poles 1,5m stapled - delivered in neutral box with adapter, spindle M8 and attached instructions.