

1

2

3

4

5

6

7

8

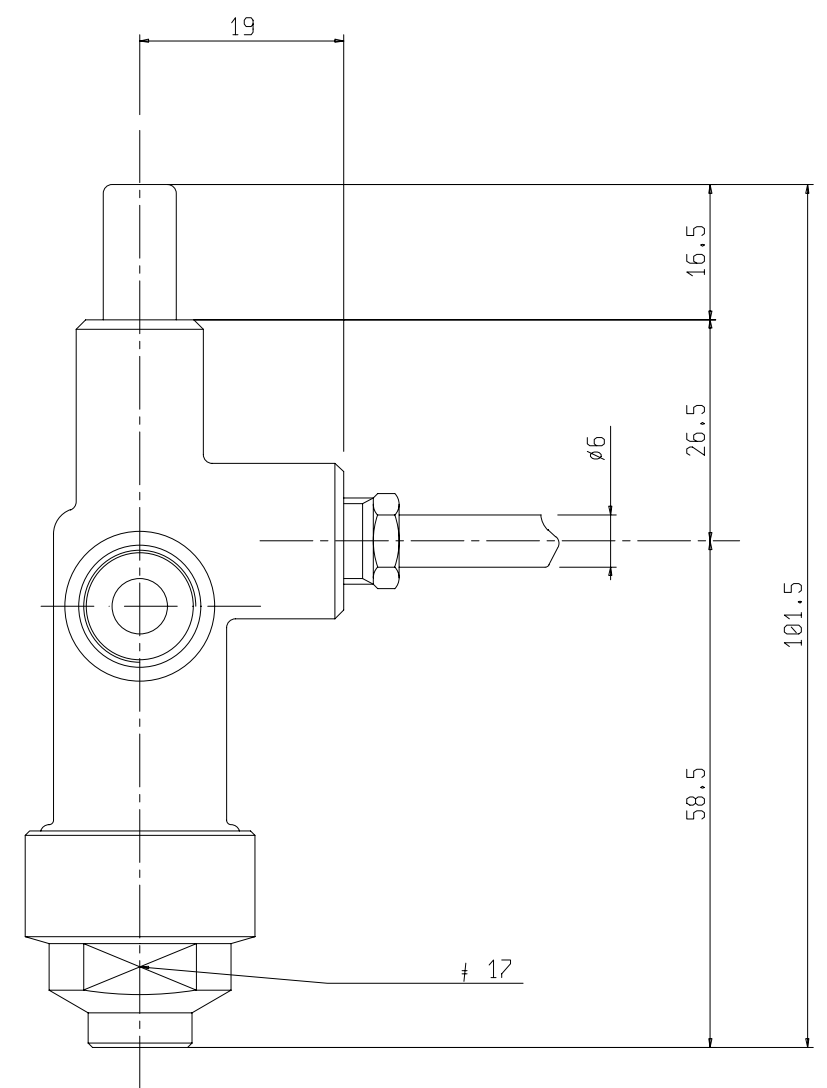
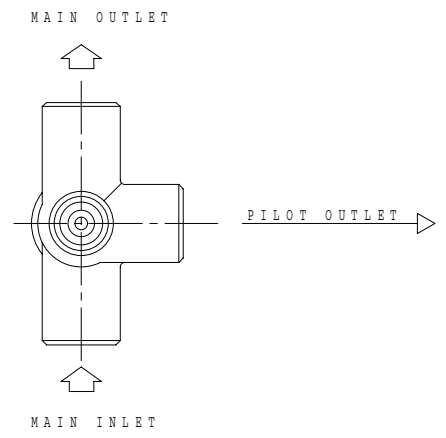
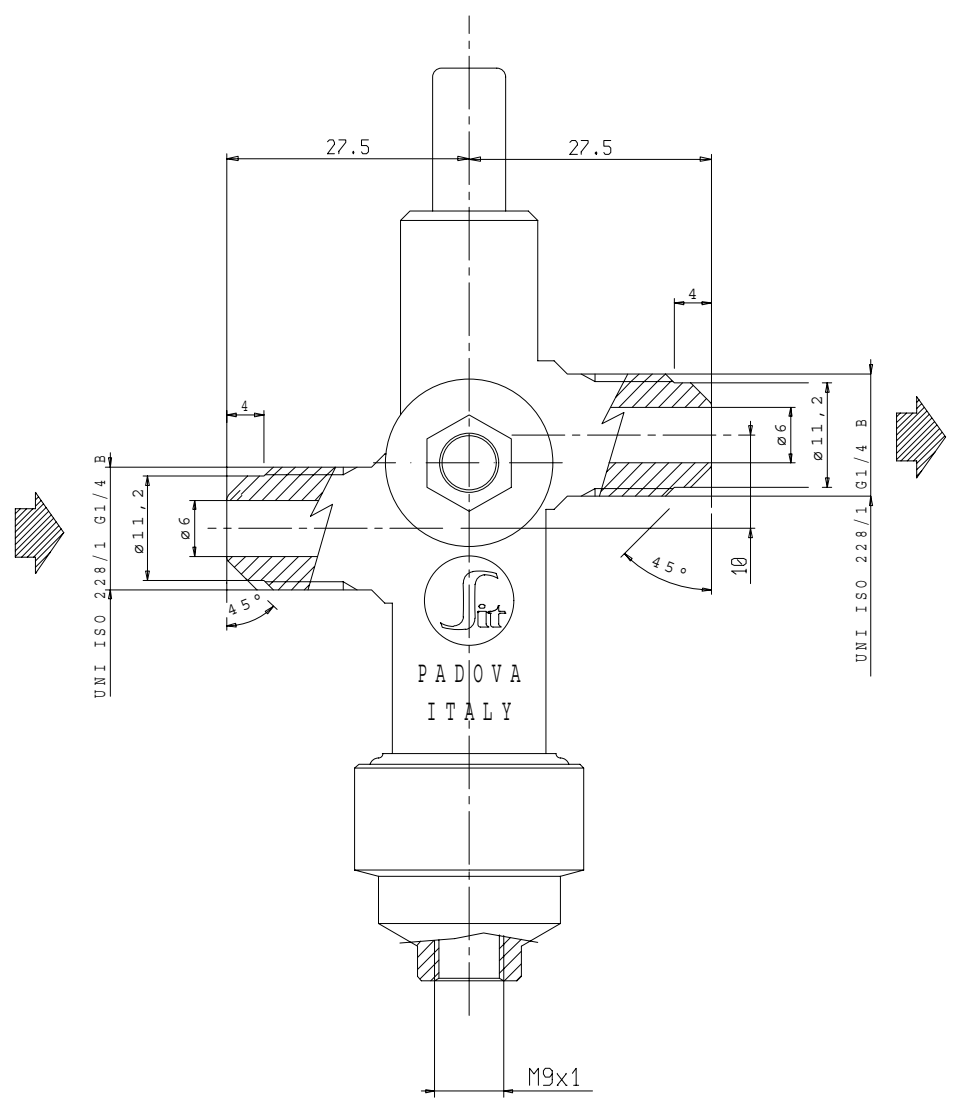
A

B

C

D

E



DIMENSIONS BETWEEN [...] ARE IN INCHES DIMENSIONS WITHOUT TOLERANCE ARE INDICATIVE

NOME FILE (.DRW)
D420003A

Rev.	Mod.N°	Date	Description	Name

Drawn	04.07.06	Rosso	Description	VALVOLA B3		Release Level
Date		Name	Technical Information			
			Material	Scale	ISO	
			Material Condition	1.5 : 1		
			Heat Treatment	Replaces Dwg N°		
			Surface Treatment	I.M.	Frm.	
			Sealing Surface	Surface Hardness	A3	
			SIT La Precisa S.p.A. 35129 Padova (Italy) Viale dell'Industria 31/33		Sit Drawing N°	Rev.
					0420003	