

BALKANSKO ECHO

SPARE PARTS CATALOGUE

**Electric hoist
Type T (8 and 12,5t)**



Table of contents:

| | |
|--|----|
| GUIDE TO THE CATALOGUE | 3 |
| Group 1– SPEED REDUSER | 4 |
| Group 2 – BODY WITH RELEASING SYSTEM | 7 |
| Group 3 – ELASTIC CLUTCH | 9 |
| Group 4 – ROPEGUIDING | 9 |
| Group 5 – DRUM..... | 10 |
| Group 6 – HOOK..... | 12 |
| Group 7 – HOISTING MOTOR..... | 13 |
| Group 8 – CONTROL BLOCK..... | 16 |
| Group 9 – RIGID MOUNTED TROLLEY | 18 |
| Group 10 – ELECTRIC MOTOR FOR TROLLEY | 20 |
| 10.2. Electric motor for trolley with brake V=20m/min; V=32m/min | 21 |

GUIDE TO THE CATALOGUE

This Parts Catalogue comprises all the parts incorporated in the construction of the electric hoists type T with load capacities of 8000 and 12 500kg. The catalogue is divided into ten groups for facility's sake .

The illustration and texts are arranged in conformity with the functional designation of the components as well with their assembly sequence. This way of arrangements greatly facilitates the ordering of spare parts, and besides that shows the sequence to be followed when dismantling or reassembling the hoist.

The numbers of figures are given in the first column of the tables. The item references Pos. of the spare parts on the break-down illustrations correspond to the item numbers in the second column, against which the parts denomination and conventional symbol, the number of pieces required for the group, the hoisting height of the hoist into which the given part is incorporated and the catalogue number for the respective load capacity are quoted.

For the parts equal for electric hoists of different hoisting height, the column "Hoisting height" is left blank.

Each spare parts order must contain the following data:

1. Type, factory number and year of production of the electric hoist as indicated on its nameplate.
2. Denomination and catalogue number of the part required.
3. The number of pieces required.
4. Type, voltage and frequency as indicated on the nameplate, for spare parts of the electric equipment.
5. Type of shipment required.
6. Address of recipient.

Complete groups or assemblies of the electric hoist can be supplied on request.

NOTE: The manufacturer advises that the parts, the denominations and catalogue numbers of which are printed in italic type should be ordered as spare parts.

For example, position 22 Shaft 162334 and the next.

All standard parts such as bolts, screws, nuts, spring washers, rings, split pins, etc. have been included in the catalogue for convenience in the servicing of the electric hoist only. The manufacturer undertakes no obligations to supply them.

Group 1– SPEED REDUSER

1.1. Speed reducer for electric hoist with hoisting speed 8 m/min and creep speed 8/1,8 m/min

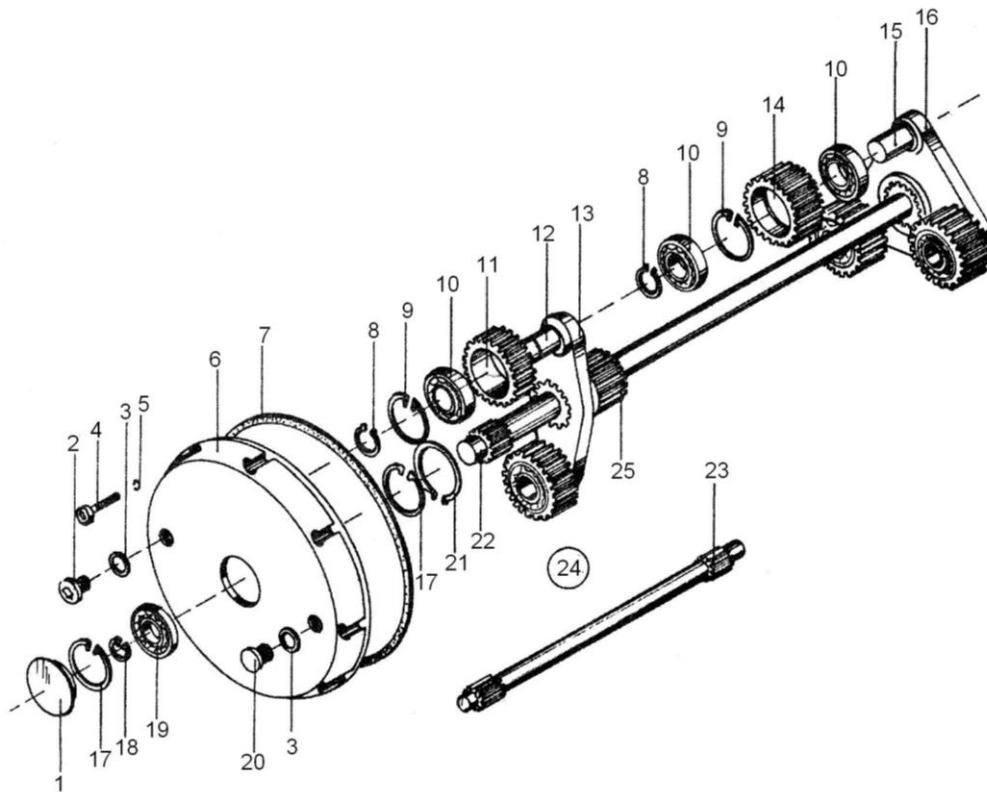


Fig. 1

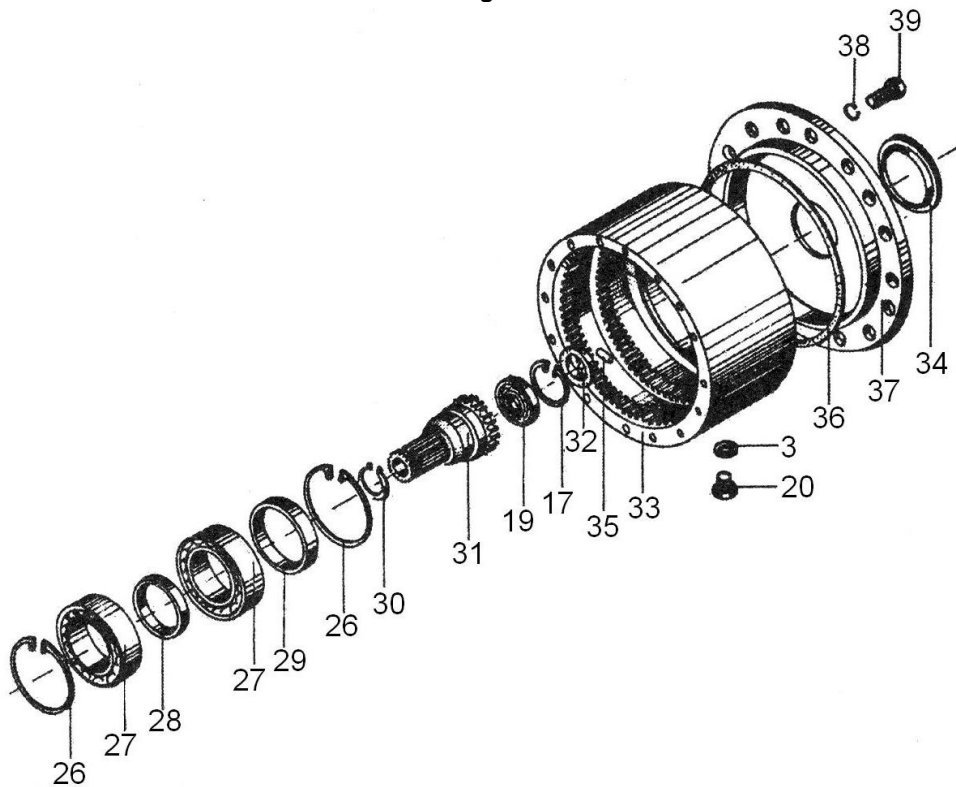


Fig. 2

Table 1.1

| Fig.No | Pos.No | Denomination | BDS | № | Hoisting height, m | Catalogue number | |
|--------|--------|-----------------------------------|---------|----|--------------------|------------------|----------|
| | | | | | | 8000kg | 12 500kg |
| 1 | 2 | 3 | | 4 | 5 | 6 | 7 |
| 1,2 | | SPEED REDUSER (complete) | | | 9 | - | 149715 |
| 1,2 | | SPEED REDUSER (complete) редуктор | | | 9, 8,24, 30 and 36 | 158041 | - |
| 1,2 | | SPEED REDUSER (complete) | | | 13 | 149715 | - |
| 1,2 | | SPEED REDUSER (complete) | | | 12 | - | 158041 |
| 1 | 1 | Cap | | 1 | 9-36 | 162333 | 162333 |
| 1 | 2 | Plug-vent hole | | 1 | 9-36 | 162337 | 162337 |
| 1,2 | 3 | Seal ring | | 3 | 9-36 | 162335 | 162335 |
| 1 | 4 | Screw M6x20/8,8 | 2171-83 | 12 | 9-36 | 208458 | 208458 |
| 1 | 5 | Spring washer 2-6H | 833-82 | 12 | 9-36 | 207065 | 207065 |
| 1 | 6 | Cover | | 1 | 9-36 | 162332 | 162332 |
| 1 | 7 | Rubber ring | | 1 | 9-36 | 162328 | 165328 |
| 1 | 8 | Ring V50 | 2170-77 | 5 | 9-36 | 208721 | 208721 |
| 1 | 9 | Ring A110 | 2170-77 | 7 | 9-36 | 208709 | 208709 |
| 1 | 10 | Ball bearing №310 GOST SKF 3610 | | 8 | 9-36 | 206052 | 206052 |
| 1 | 11 | Planetary gear wheel | | 2 | 9-36 | 162340 | 162340 |
| 1 | (12) | Axle | | 2 | 9-36 | 162342 | 162342 |
| 1 | (13) | Guide I | | 1 | 9-36 | 147085 | 147085 |
| 1 | 14 | Planetary gear wheel | | 3 | 9-36 | 162358 | 162358 |
| 1 | (15) | Axle | | 3 | 9-36 | 162352 | 162352 |
| 1 | (16) | Guide II | | 1 | 9-36 | 162353 | 162353 |
| 1,2 | 17 | Ring A72 | 2170-77 | 3 | 9-36 | 208707 | 208707 |
| 1 | 18 | Ring V35 | 2170-77 | 1 | 9-36 | 208708 | 208708 |
| 1,2 | 19 | Ball bearing №207 GOST SKF 6207 | | 2 | 9-36 | 205982 | 205982 |
| 1,2 | 20 | Plug | | 2 | 9-36 | 162336 | 162336 |
| 1 | 21 | Ring V65 | 2170-77 | 1 | 9-36 | 208706 | 208706 |
| 1 | 22 | Shaft | | 1 | 9 | 162334 | 160803 |
| 1 | 22 | Shaft | | 1 | 13 | 160803 | - |
| 1 | 22 | Shaft | | 1 | 12 | - | 161324 |
| 1 | 24 | Transmission I (complete) | | 1 | 9-36 | 158310 | 158310 |
| 1 | 25 | Sun gear wheel | | 1 | 9-36 | 147086 | 147086 |
| 2 | 26 | Ring A200 | 2170-77 | 2 | 9-36 | 208748 | 208748 |
| 2 | 27 | Ball bearing №222 GOST SKF 6222 | | 2 | 9-36 | 205997 | 205997 |
| 2 | 28 | Bush | | 1 | 9-36 | 162354 | 162354 |
| 2 | 29 | Ring | | 1 | 9-36 | 162355 | 162355 |
| 2 | 30 | Ring V110 | 2170-77 | 1 | 9-36 | 208747 | 208747 |
| 2 | 31 | Shaft-splined bush | | 1 | 9-36 | 162356 | 162356 |
| 2 | 32 | Sealing A35x72x12 | 9954-83 | 1 | 9-36 | 208829 | 208829 |
| 2 | 33 | Tooth rim | | 1 | 9-36 | 162444 | 162444 |
| 2 | 34 | Sealing A200x150x15 | 9954-83 | 1 | 9-36 | 162957 | 162957 |
| 2 | 35 | Cylindrical split pin | | 2 | 9-36 | 147084 | 147084 |
| 2 | 36 | Rubber ring | | 1 | 9-36 | 162331 | 162331 |
| 2 | 37 | Flange | | 1 | 9-36 | 162350 | 162350 |
| 2 | 38 | Spring washer 2-14H | 833-82 | 12 | 9-36 | 207069 | 207069 |
| 2 | 39 | Screw M14x35/8,8 | 2171-83 | 12 | 9-36 | 208475 | 208475 |

NOTE:

The units with bracketed Pos. are not supplied singly.

1.2. Speed reducer for electric hoist with hoisting speed 8 and creep speed 8/1,8 m/min with an auxiliary brake

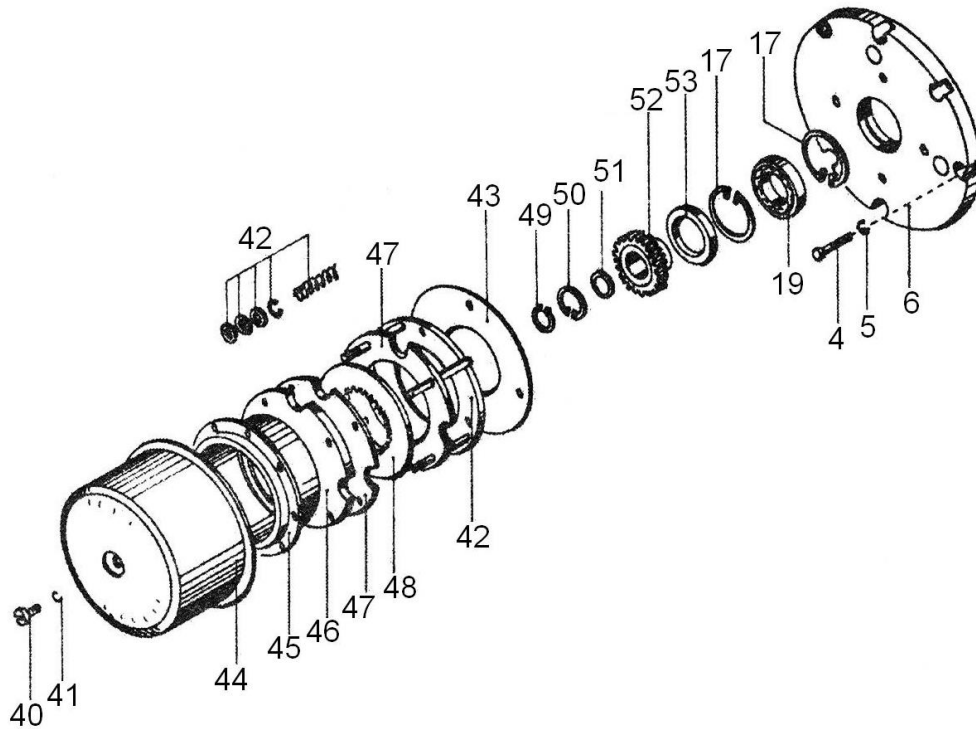


Fig. 3

Table1.2

| Fig.No | Pos.No | Denomination | BDS | № | Hoisting height, m | Catalogue number | |
|--------|--------|----------------------------|---------|---|--------------------|------------------|----------|
| | | | | | | 8000kg | 12 500kg |
| 1 | 2 | 3 | | 4 | 5 | 6 | 7 |
| 1,2,3 | | SPEED REDUSER (complete) | | 1 | 9 | - | 149716 |
| 1,2,3 | | SPEED REDUSER (complete) | | 1 | 9, 8,24, 30 and 36 | 162441 | - |
| 1,2,3 | | SPEED REDUSER (complete) | | 1 | 13 | 149716 | - |
| 1,2,3 | | SPEED REDUSER (complete) | | 1 | 12 | - | 162441 |
| 1 | | Auxiliary brake (complete) | | 1 | 9-36 | 148010 | 148010 |
| 1 | 6 | Cover | | 1 | 9-36 | 162447 | 162447 |
| 1 | 23 | Shaft | | 1 | 9 | 162448 | 149756 |
| 1 | 23 | Shaft | | 1 | 13 | 149756 | - |
| 1 | 23 | Shaft | | 1 | 12 | - | 162448 |
| 1 | 24 | Transmission I complete | | 1 | 9-36 | 158310 | 158310 |
| 3 | 40 | Screw II M6x16 | 1360-83 | 1 | 9-36 | 204496 | 204496 |
| 3 | 41 | Sealing | | 1 | 9-36 | 345005 | 345005 |
| 3 | 42 | Base-complete | | 1 | 9-36 | 345004 | 345004 |
| 3 | 43 | Sealing | | 1 | 9-36 | 345029 | 345029 |
| 3 | 44 | Cover | | 1 | 9-36 | 345009 | 345009 |
| 3 | 45 | Electromagnet | | 1 | 9-36 | 345013 | 345013 |
| 3 | 46 | Anchor | | 1 | 9-36 | 345017 | 345017 |
| 3 | 47 | Stationary rubbing discs | | 7 | 9-36 | 345021 | 345021 |
| 3 | 48 | Mobile rubbing discs | | 4 | 9-36 | 345025 | 345025 |
| 3 | 49 | Ring V28 | 2170-77 | 1 | 9-36 | 208750 | 208750 |
| 3 | 50 | Ring | | 1 | 9-36 | 162454 | 162454 |
| 3 | 51 | Sealing | | 1 | 9-36 | 162453 | 162453 |
| 3 | 52 | Gear wheel | | 1 | 9-36 | 162452 | 162452 |
| 3 | 53 | Sealing A48x12x10-3 | 9954-83 | 1 | 9-36 | 208056 | 208056 |

NOTE:

Only the catalogue numbers of those units which distinguish the reducer with auxiliary brake from the basic-version one, follow succession. All the missing catalogue numbers coincide with those of basic-version reducer (table 1.1).

Group 2 – BODY WITH RELEASING SYSTEM

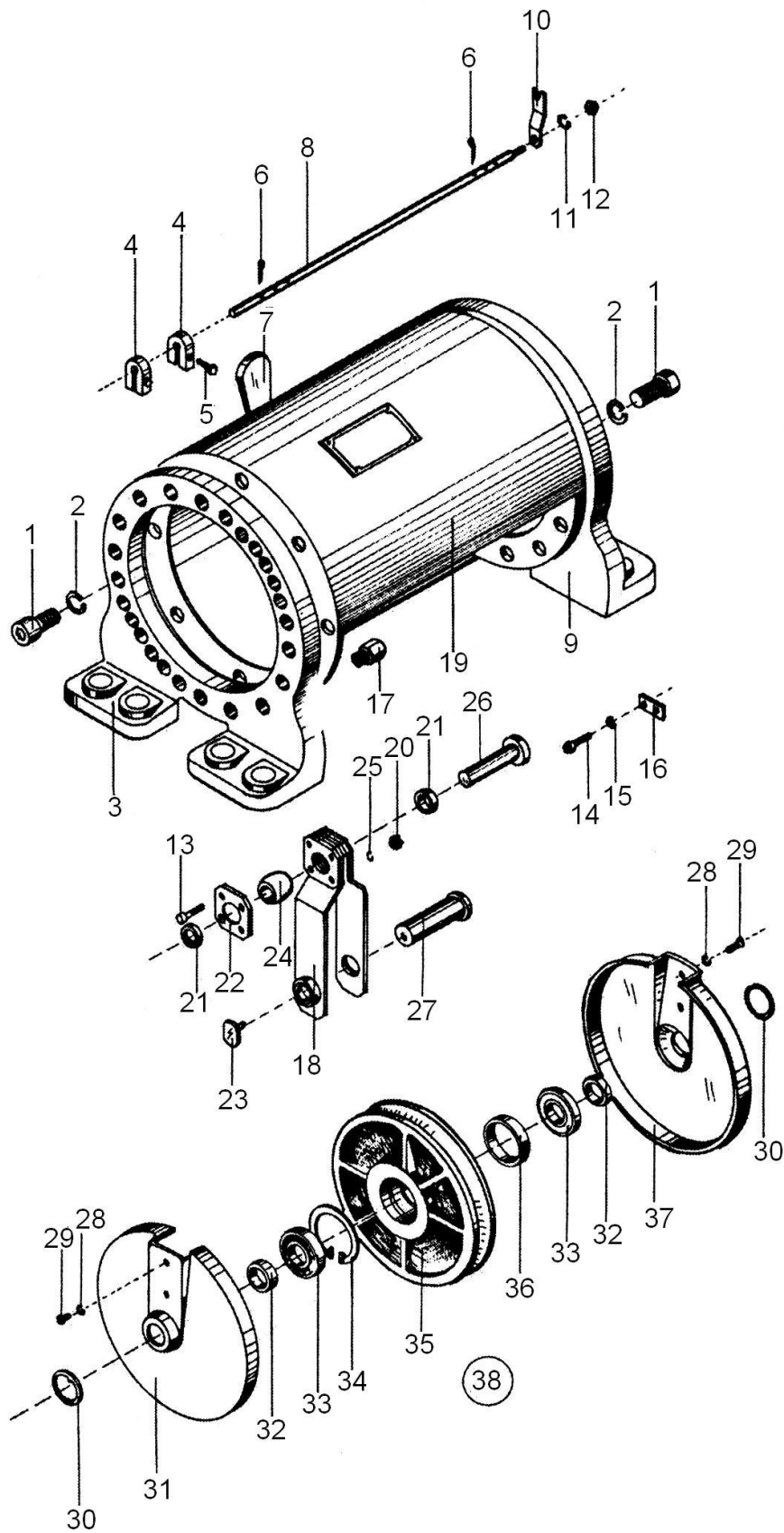


Fig. 4

Table 2.1

| Fig.№ | Pos.№ | Denomination | BDS | № | Hoisting height, m | Catalogue number | |
|-------|-------|--|-------------|----|--------------------|------------------|----------|
| | | | | | | 8000kg | 12 500kg |
| 1 | 2 | 3 | | 4 | 5 | 6 | 7 |
| 4 | 1 | Screw I M14x60 for foot mounted electric hoist | 2171-83/6,6 | 23 | 9-36 | 208481 | 208481 |
| 4 | 1 | Screw I M14x60 for foot mounted electric hoist | 2171-83/6,6 | 18 | 9-36 | 208455 | 208455 |
| 4 | 2 | Spring washer 2-14H | 833-82 | 23 | 9-36 | 207069 | 207069 |
| 4 | 3 | Ring with feet-left | | 1 | 9-36 | 195078 | 195078 |
| 4 | 4 | Ring (кольцо) | | 2 | 9-36 | 158782 | 158782 |
| 4 | 5 | Bolt II M6x20 (винт) | 1234-85 | 2 | 9-36 | 203010 | 203010 |
| 4 | 6 | Sprint pin 2,5x16(шплинт) | 55-77 | 2 | 9-36 | 205634 | 205634 |
| 4 | 7 | Wedge (клин) | | 1 | 9-36 | 159144 | - |
| 4 | 8 | Rod | | 1 | 9 | 149851 | 149852 |
| 4 | 8 | Rod | | 1 | 13 | 149852 | - |
| 4 | 8 | Rod | | 1 | 12 | - | 147189 |
| 4 | 8 | Rod | | 1 | 18 | 147189 | - |
| 4 | 8 | Rod | | 1 | 24 | 147190 | - |
| 4 | 8 | Rod | | 1 | 30 | 149853 | - |
| 4 | 8 | Rod | | 1 | 36 | 147194 | - |
| 4 | 8 | Rod (штанга) | | 1 | 9 | 158809 | 158813 |
| 4 | 8 | Rod | | 1 | 13 | 158813 | - |
| 4 | 8 | Rod | | 1 | 12 | - | 149849 |
| 4 | 8 | Rod | | 1 | 18 | 149849 | - |
| 4 | 8 | Rod | | 1 | 24 | 147122 | - |
| 4 | 8 | Rod | | 1 | 30 | 149850 | - |
| 4 | 8 | Rod | | 1 | 36 | 147132 | - |
| 4 | 9 | Ring with feet-right | | 1 | 9-36 | 195079 | 195079 |
| 4 | 10 | Fork вилка | | 1 | 9-36 | 158760 | 158760 |
| 4 | 10 | Fork-for electric hoist with creep speed | | 1 | 9-36 | 143267 | 143267 |
| 4 | 11 | Spring washer 2-6H | 833-82 | 1 | 9-36 | 205361 | 205361 |
| 4 | 12 | Nut I M6 | 744-91 | 1 | 9-36 | 219193 | 219193 |
| 4 | 13 | Bolt M10x60/8,8 | 1234-85 | 4 | 9,12 | - | 203110 |
| 4 | 14 | Screw I M12x18 | 2171-83 | 2 | 9,12 | - | 222555 |
| 4 | 15 | Spring washer 2-12H | 833-82 | 2 | 9,12 | - | 207068 |
| 4 | 16 | Safety lath | | 1 | 9,12 | - | 143279 |
| 4 | 17 | Bush | | 1 | 9,12 | 143214 | 143214 |
| 4 | 18 | Shackle | | 1 | 9,12 | - | 147168 |
| 4 | 19 | Body | | 1 | 9 | | |
| 4 | 19 | Body | | 1 | 13 | | |
| 4 | 19 | Body | | 1 | 12 | | |
| 4 | 19 | Body | | 1 | 18 | | |
| 4 | 19 | Body | | 1 | 24 | | |
| 4 | 19 | Body | | 1 | 30 | | |
| 4 | 19 | Body | | 1 | 36 | | |
| 4 | 19 | Body | | 1 | 9 | | |
| 4 | 19 | Body | | 1 | 13 | | |
| 4 | 19 | Body | | 1 | 12 | | |
| 4 | 19 | Body | | 1 | 18 | | |
| 4 | 19 | Body | | 1 | 24 | | |
| 4 | 19 | Body | | 1 | 30 | | |
| 4 | 19 | Body | | 1 | 36 | | |
| 4 | 19 | Body | | | | | |
| 4 | 20 | Nut I M10 | 744-91 | 4 | 9,12 | - | 219198 |
| 4 | 21 | Spacing bush | | 2 | 9,12 | - | 143272 |
| 4 | 22 | Flange | | 2 | 9,12 | - | 147173 |
| 4 | 23 | Screw | | 1 | 9,12 | - | 143274 |
| 4 | 24 | Spherical bush | | 1 | 9,12 | - | 143295 |
| 4 | 25 | Spring washer 2-10H | 833-82 | 4 | 9,12 | - | 207067 |
| 4 | 26 | Axle | | 1 | 9,12 | - | 143273 |
| 4 | 27 | Axle | | 1 | 9,12 | - | 143303 |
| 4 | 28 | Spring washer 2-8H | 833-82 | 2 | 9,12 | - | 205263 |
| 4 | 29 | Screw I M8x12 | 1234-85 | 2 | 9,12 | - | 222547 |
| 4 | 30 | Safety washer | | 2 | 9,12 | - | 143275 |
| 4 | 31 | Cover, left | | 1 | 9,12 | - | 147176 |
| 4 | 32 | Spacing washer | | 2 | 9,12 | - | 143277 |
| 4 | 33 | Ball bearing №312-Z | | 2 | 9,12 | - | 222542 |
| 4 | 34 | Ring A130 | 2170-77 | 1 | 9,12 | - | 208749 |
| 4 | 35 | Roller | | 1 | 9,12 | 162416 | 162416 |

| | | | | | | |
|---|----|----------------------|---|------|--------|--------|
| 4 | 36 | Bush | 1 | 9,12 | 162417 | 162417 |
| 4 | 37 | Cover, right | 1 | 9,12 | 147174 | 147174 |
| 4 | 38 | Roller unit complete | 1 | 9,12 | 162408 | 162408 |

Group 3 – ELASTIC CLUTCH

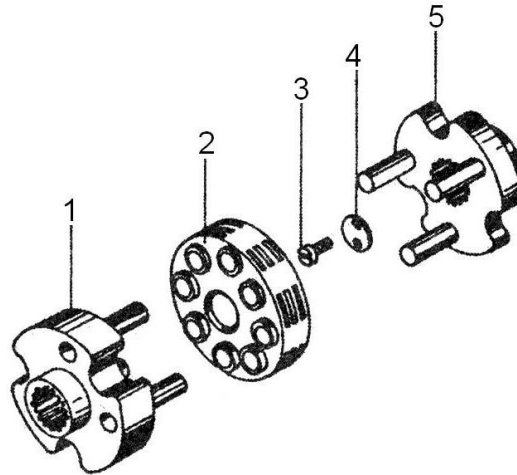


Fig. 5

Table 3.1

| Fig.No | Pos.No | Denomination | BDS | № | Hoisting height, m | Catalogue number | |
|--------|--------|--|---------|---|--------------------|------------------|---------------|
| | | | | | | 8000kg | 12 500kg |
| 1 | 2 | 3 | | 4 | 5 | 6 | 7 |
| 5 | | Elastic clutch (complete) муфта | | | | 107790 | 170090 |
| 5 | 1 | Disc | | 1 | 9-36 | 162369 | 162369 |
| 5 | 2 | Elastic body | | 1 | 9-36 | 170080 | 170080 |
| 5 | 3 | Screw M8x12/8,8 | 2171-83 | 2 | 9-36 | 220070 | 220070 |
| 5 | 4 | Washer | | 1 | 9-36 | 158842 | 158842 |
| 5 | 5 | Disc | | 1 | 9-36 | 162959 | 162959 |

Group 4 – ROPEGUIDING

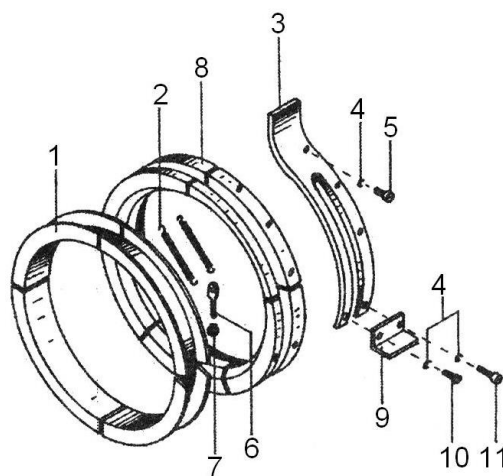


Fig. 6

Table 4.1

| Fig.No | Pos.No | Denomination | BDS | № | Hoisting height, m | Catalogue number | |
|--------|--------|---|-------------|---|--------------------|------------------|----------|
| | | | | | | 8000kg | 12 500kg |
| 1 | 2 | 3 | | 4 | 5 | 6 | 7 |
| 6 | | Rope guiding (complete) канатоукладчик | | | 9-36 | 158110 | 158100 |
| 6 | 1 | Ring | | 1 | 9-36 | 162381 | 162381 |
| 6 | 2 | Spring | | 2 | 9-36 | 162383 | 162383 |
| 6 | 3 | Guide | | 1 | 9-36 | 162385 | 162385 |
| 6 | 4 | Spring washer 2-8H | 833-82 | 5 | 9-36 | 207066 | 207066 |
| 6 | 5 | Bolt I M8x20 | 1234-85/5,6 | 3 | 9-36 | 203026 | 203026 |
| 6 | 6 | Hinge bolt | | 4 | 9-36 | 170738 | 170738 |
| 6 | 7 | Nut M6/5 | 744-91/5,6 | 4 | 9-36 | 219192 | 219192 |
| 6 | 8 | Guiding nut | | 1 | 9-36 | 291704 | 291704 |
| 6 | 9 | Lath | | 1 | 9-36 | 162384 | 162384 |
| 6 | 10 | Bolt I M8x16 | 1234-85/5,6 | 1 | 9-36 | 209590 | 209590 |
| 6 | 11 | Bolt I M8x30 | 1234-85/5,6 | 1 | 9-36 | 203036 | 203036 |

Group 5 – DRUM

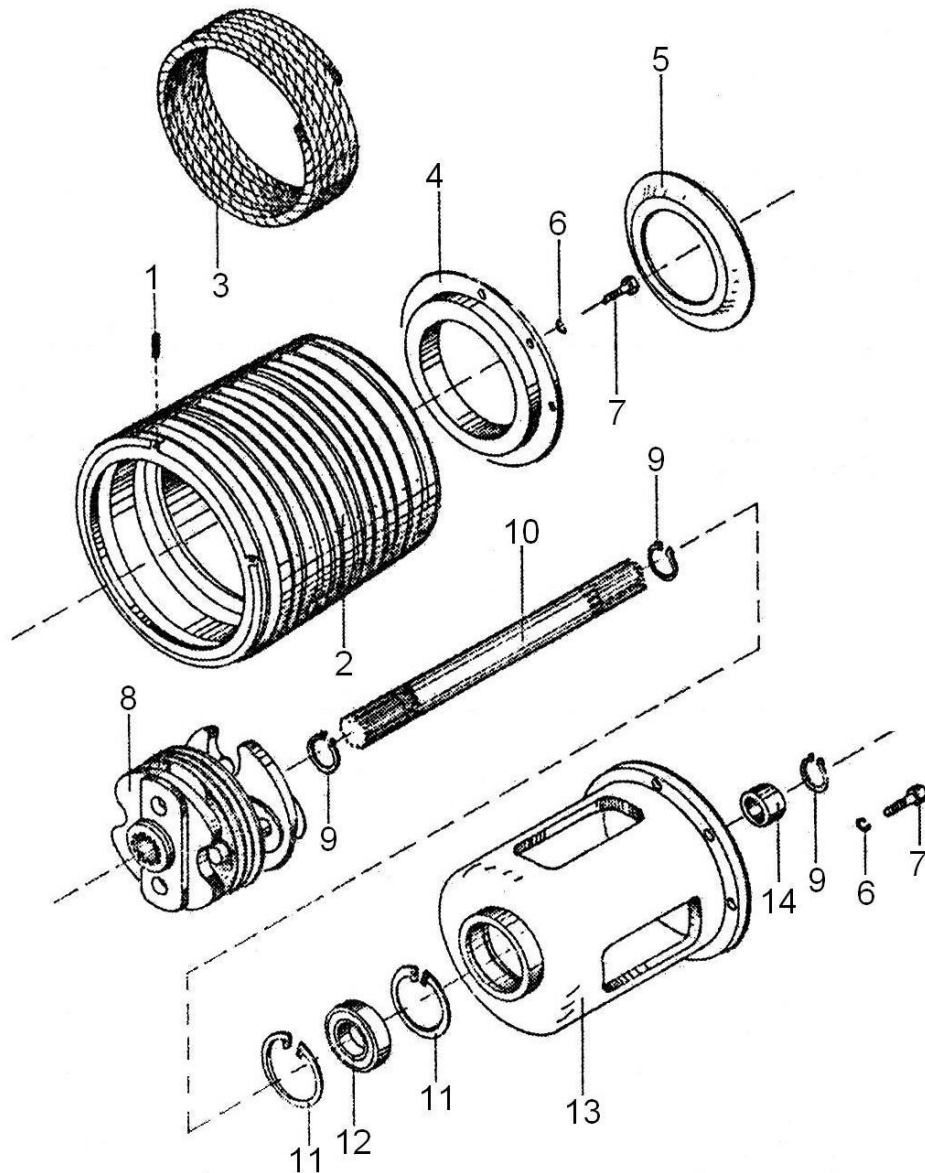


Fig. 7

Table 5.1

| Fig.№ | Pos.№ | Denomination | BDS | № | Hoisting height, m | Catalogue number | |
|-------|-------|---------------------------|---------|---|--------------------|------------------|----------|
| | | | | | | 8000kg | 12 500kg |
| 1 | 2 | 3 | | 4 | 5 | 6 | 7 |
| 7 | | Drum (complete) барабан | | 1 | 9 | 149757 | 149758 |
| 7 | | Drum (complete) | | 1 | 13 | 149758 | - |
| 7 | | Drum (complete) | | 1 | 12 | - | 149764 |
| 7 | | Drum (complete) | | 1 | 18 | 149764 | - |
| 7 | | Drum (complete) | | 1 | 24 | 149765 | - |
| 7 | | Drum (complete) | | 1 | 30 | 149760 | - |
| 7 | | Drum (complete) | | 1 | 36 | 149766 | - |
| 7 | 1 | Screw I M12x16 | 1361-83 | 5 | 9-36 | 209069 | 209069 |
| 7 | 2 | Drum | | 1 | 9 | 149759 | 149738 |
| 7 | 2 | Drum | | 1 | 13 | 149738 | - |
| 7 | 2 | Drum | | 1 | 12 | - | 147157 |
| 7 | 2 | Drum | | 1 | 18 | 147157 | - |
| 7 | 2 | Drum | | 1 | 24 | 147124 | - |
| 7 | 2 | Drum | | 1 | 30 | 149761 | - |
| 7 | 2 | Drum | | 1 | 36 | 147138 | - |
| 7 | 3 | Steel rope | | 1 | 9 | 158820 | 143269 |
| 7 | 3 | Steel rope | | 1 | 13 | 156900 | - |
| 7 | 3 | Steel rope | | 1 | 12 | - | 147161 |
| 7 | 3 | Steel rope | | 1 | 18 | 147089 | - |
| 7 | 3 | Steel rope | | 1 | 24 | 147097 | - |
| 7 | 3 | Steel rope | | 1 | 30 | 147847 | - |
| 7 | 3 | Steel rope | | 1 | 36 | 147131 | - |
| 7 | 4 | Ring | | 1 | 9,12,13 | 149647 | 149647 |
| 7 | 5 | Ring | | 1 | 9-36 | 158707 | 158707 |
| 7 | 6 | Spring washer 2-12 | 833-82 | 6 | 9-36 | 207068 | 207068 |
| 7 | 7 | Screw I M12x35 | 1232-82 | 6 | 9-36 | 209369 | 209369 |
| 7 | 8 | Elastic clutch (complete) | | 1 | 18-36 | 170095 | - |
| 7 | 9 | Safety ring V35 | 2170-77 | 2 | 18-36 | 208708 | - |
| 7 | 10 | Intermediary shaft | | 1 | 18 | 149771 | - |
| 7 | 10 | Intermediary shaft | | 1 | 24 | 149772 | - |
| 7 | 10 | Intermediary shaft | | 1 | 30 | 149773 | - |
| 7 | 10 | Intermediary shaft | | 1 | 36 | 149774 | - |
| 7 | 11 | Safety ring A72 | 2170-77 | 2 | 18-36 | 208703 | - |
| 7 | 12 | Ball bearing №80207 | 4884-85 | 1 | 18-36 | 201186 | - |
| 7 | 13 | Bracket | | 1 | 18-36 | 162660 | - |
| 7 | 14 | Spacing bush | | 1 | 18-36 | 162658 | - |

Group 6 – HOOK

Hook with roller block

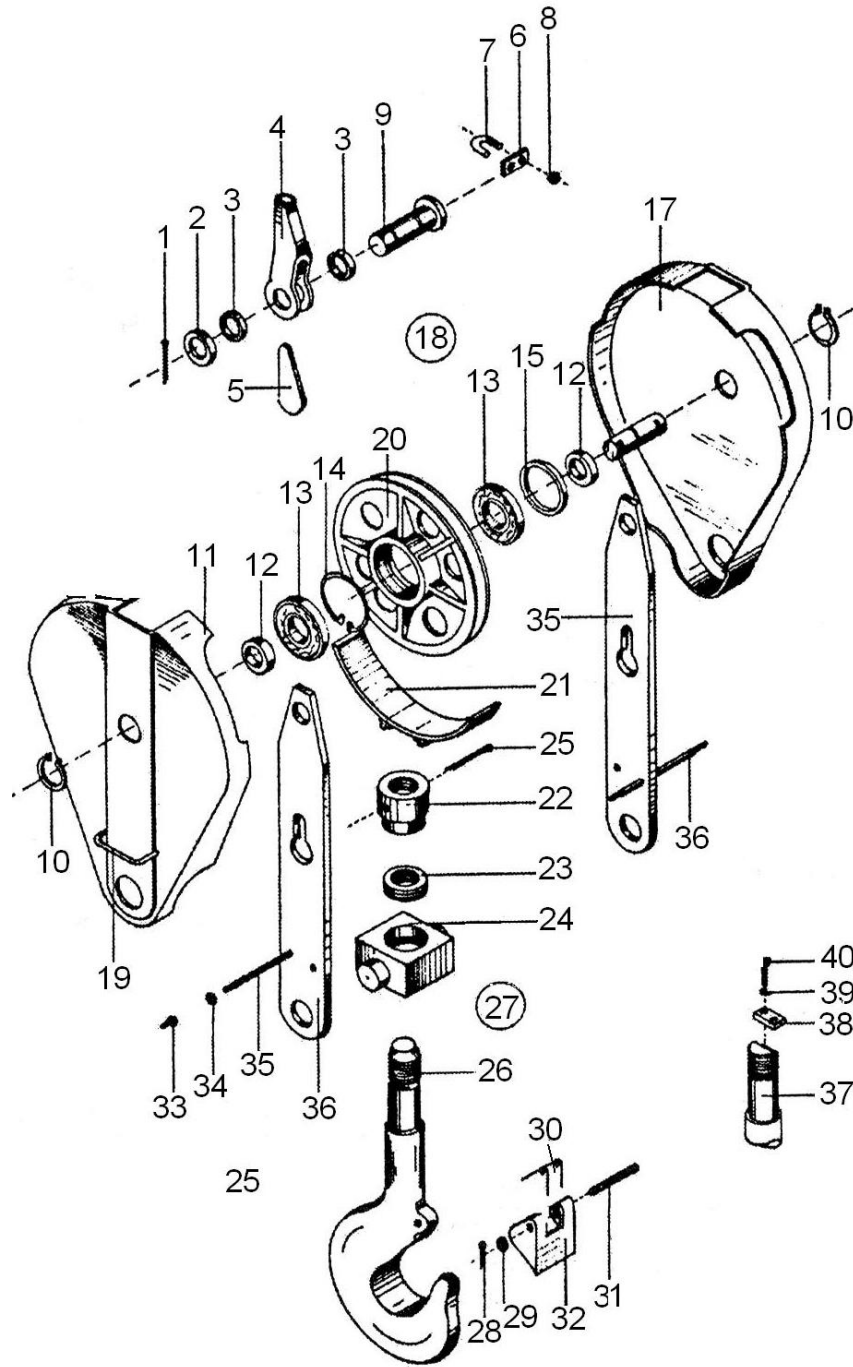


Fig. 8

Table 6.1

| Fig.No | Pos.No | Denomination | BDS | № | Hoisting height, m | Catalogue number | |
|--------|--------|-----------------------------|-------|---|--------------------|------------------|---------------|
| | | | | | | 8000kg | 12 500kg |
| 1 | 2 | 3 | | 4 | 5 | 6 | 7 |
| 8 | | Hook (complete) крюк | | 1 | 9-36 | 158369 | 158370 |
| 8 | (1) | Split pin 10x70 | 55-77 | 1 | 9,12 | - | 208316 |
| 8 | 2 | Thrust washer | | 1 | 9,12 | - | 160806 |
| 8 | 3 | Spacing bush | | 2 | 9,12 | - | 160805 |
| 8 | 4 | Thimble | | 1 | 9,12 | - | 160804 |
| 8 | 5 | Wedge | | 1 | 9,12 | - | 159144 |
| 8 | 6 | Lath | | 1 | 9,12 | - | 158868 |

SPARE PARTS CATALOGUE. Electric hoist type T (8 and 12,5t)

| | | | | | | | |
|---|------|------------------------|------------|---|------|--------|--------|
| 8 | 7 | Clamp | | 1 | 9,12 | - | 158853 |
| 8 | (8) | Nut I M16 | 744-91/5,6 | 2 | 9,12 | - | 219204 |
| 8 | (9) | Axle 55x220/208 | 3048-89 | 1 | 9,12 | - | 207912 |
| 8 | (10) | Safety ring V60 | 2170-77 | 2 | 9-36 | 208734 | 208734 |
| 8 | 11 | Cover (welding) | | 1 | 9-36 | 149938 | 149939 |
| 8 | 12 | Spacing bush | | 2 | 9-36 | 162407 | 160808 |
| 8 | (13) | Ball bearing №312-Z | 4884-85 | 2 | 9-36 | 222542 | 222542 |
| 8 | (14) | Safety ring A130 | 2170-77 | 1 | 9-36 | 208749 | 208749 |
| 8 | 15 | Bush | | 1 | 9-36 | 162417 | 162417 |
| 8 | 16 | Roller's axle | | 1 | 9-36 | 192442 | 143318 |
| 8 | 17 | Cover | | 1 | 9-36 | 149678 | 149698 |
| 8 | 18 | Roller unit (complete) | | 1 | 9-36 | 162408 | 162408 |
| 8 | 19 | Hand grip | | 2 | 9-36 | 150945 | 150945 |
| 8 | 20 | Roller | | 1 | 9-36 | 162416 | 162416 |
| 8 | 21 | Safety guard | | 1 | 9-36 | 149988 | 149988 |
| 8 | 22 | Special nut | | 1 | 9-36 | 291708 | 143315 |
| 8 | (23) | Axial bearing №8211 | 4852-81 | 1 | 9-36 | 222541 | - |
| 8 | (23) | Axial bearing №8213 | 4852-81 | 1 | 9-36 | - | 202391 |
| 8 | (24) | Sleeper | | 1 | 9-36 | 162420 | 143314 |
| 8 | (25) | Spin pin 8x100 | 55-77 | 1 | 9-36 | 222503 | - |
| 8 | (25) | Spin pin 13x125 | 55-77 | 1 | 9-36 | - | 205648 |
| 8 | 26 | One-prong hook | | 1 | 9-36 | 162421 | 143316 |
| 8 | 27 | Hook with sleeper | | 1 | 9-36 | 162401 | 160811 |
| 8 | (28) | Split pin 3,2x20 | 55-77 | 2 | 9-36 | 202792 | 202792 |
| 8 | (29) | Washer AM10 | 206-78 | 2 | 9-36 | 202686 | 202686 |
| 8 | 30 | Spring | | 1 | 9-36 | 162423 | 170733 |
| 8 | 31 | Axle | | 1 | 9-36 | 149679 | 170736 |
| 8 | 32 | Tongue | | 1 | 9-36 | 162422 | 170734 |
| 8 | (33) | Nut M12/5 | 744-91 | 4 | 9-36 | 219200 | - |
| 8 | (33) | Semi-rounded nut M12 | 2970-74 | 4 | 9,12 | - | 222546 |
| 8 | 34 | Spring washer 2-12H | 833-82 | 4 | 9-36 | 207068 | 207068 |
| 8 | 35 | Stud | | 2 | 9-36 | 149670 | 149695 |
| 8 | 36 | Carrying lath | | 2 | 9-36 | 188707 | 188709 |

Group 7 – HOISTING MOTOR

One speed electric motor

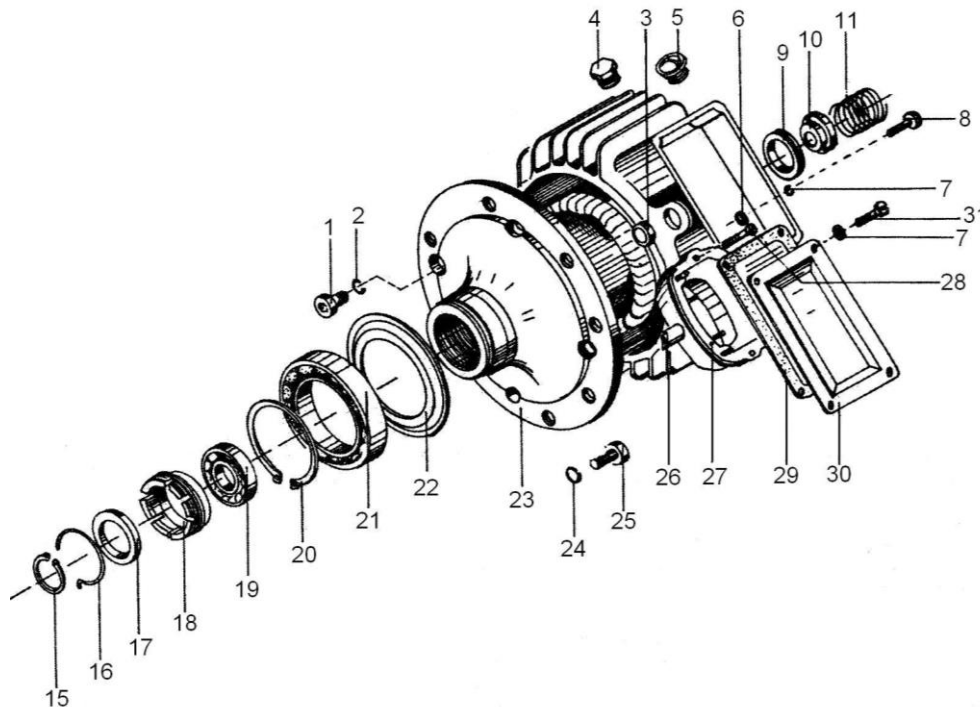


Fig. 9

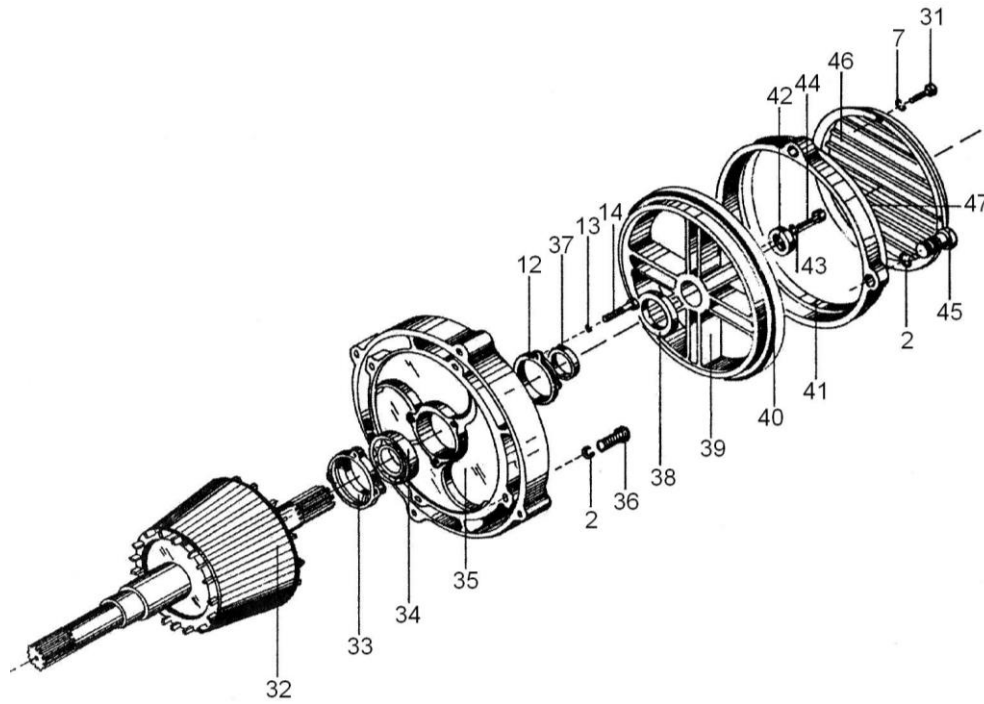


Fig. 10

Table 7.1

| Fig.No | Pos.No | Denomination | BDS | № | Hoisting height, m | Catalogue number | |
|--------|--------|--|-------------|---|--------------------|------------------|---------------|
| | | | | | | 8000kg | 12 500kg |
| 1 | 2 | 3 | | 4 | 5 | 6 | 7 |
| 9,10 | | Electric motor KG 2714-6 (complete) | | 1 | 9-36 | 157222 | 157222 |
| 9 | 1 | Bolt I M10x50 | 1232-82 | 6 | 9-36 | 209124 | 209124 |
| 9 | 2 | Spring washer 2-10H | 833-82 | 6 | 9-36 | 207067 | 207067 |
| 9 | 3 | Sealing | 4592-74 | 1 | 9-36 | 345287 | 345287 |
| 9 | 4 | Union pipe AEL 21xFil14 | | 2 | 9-36 | 208852 | 208852 |
| 9 | 5 | Plug | | 2 | 9-36 | 345030 | 345030 |
| 9 | 6 | Washer AM6 | 206-78 | 2 | 9-36 | 202712 | 202712 |
| 9,10 | 7 | Spring washer 2-6H | 833-82 | 8 | 9-36 | 205361 | 205361 |
| 9 | 8 | Screw I M6x12/5,6 | 832-83 | 1 | 9-36 | 204726 | 204726 |
| 9 | 9 | Axial bearing №8112 GOST SKF51112 | | 1 | 9-36 | 206411 | 206411 |
| 9 | 10 | Bearing bush | | 1 | 9-36 | 345288 | 345288 |
| 9 | 11 | Spring | | 1 | 9-36 | 345289 | 345289 |
| 10 | 12 | Cap | | 1 | 9-36 | 345290 | 345290 |
| 10 | 13 | Spring washer 2-5H | 833-82 | 4 | 9-36 | 208533 | 208533 |
| 10 | 14 | Bolt I M6x45 | 1234-85/8,8 | 3 | 9-36 | 203062 | 203062 |
| 9 | 15 | Ring V45 | 2170-77 | 1 | 9-36 | 208719 | 208719 |
| 9 | 16 | Sealing ring | | 1 | 9-36 | 345291 | 345291 |
| 9 | 17 | Sealing A45x70x10-3 | 9954-83 | 1 | 9-36 | 208562 | 208562 |
| 9 | 18 | Adjusting nut | | 1 | 9-36 | 345292 | 345292 |
| 9 | 19 | Roller bearing NUB209 /C ₃ SKF/ | | 1 | 9-36 | 209210 | 209210 |
| 9 | 20 | Ring V20 | 2170-77 | 1 | 9-36 | 208718 | 208718 |
| 9 | 21 | Ball bearing №124 GOST SKF6024 | | 1 | 9-36 | 205965 | 205965 |
| 9 | 22 | Ring | | 1 | 9-36 | 158707 | 158707 |
| 9 | 23 | Front shield | | 1 | 9-36 | 345293 | 345293 |
| 9 | 26 | Stator | | 1 | 9-36 | 345294 | 345294 |
| 9 | 27 | Limit switch KIPTD-22 | | 1 | 9-36 | 345332 | 345332 |
| 9 | 28 | Screw I M4x22/5,6 | 832-83 | 2 | 9-36 | 204676 | 204676 |
| 9 | 29 | Sealing | | 1 | 9-36 | 345295 | 345295 |
| 9 | 30 | Cap | | 1 | 9-36 | 345296 | 345296 |
| 9 | 31 | Screw I M6x16 | 1358-85/5,6 | 4 | 9-36 | 204598 | 204598 |
| 10 | 32 | Rotor | | 1 | 9-36 | 345297 | 345297 |
| 10 | 33 | Cap | | 1 | 9-36 | 345298 | 345298 |
| 10 | 34 | Roller bearing NUB210/C ₃ SKF/ | | 1 | 9-36 | 209211 | 209211 |
| 10 | 35 | Rear shield | | 1 | 9-36 | 345299 | 345299 |

SPARE PARTS CATALOGUE. Electric hoist type T (8 and 12,5t)

| | | | | | | | |
|----|----|-----------------------|-------------|---|------|--------|--------|
| 10 | 36 | Bolt I M12x45 | 1234-82 | 4 | 9-36 | 203516 | 203516 |
| 10 | 37 | Bush | | 1 | 9-36 | 345300 | 345300 |
| 10 | 38 | Sealing A55x75 | 9954-83 | 1 | 9-36 | 209199 | 209199 |
| 10 | 39 | Fan | | 1 | 9-36 | 345301 | 345301 |
| 10 | 40 | Spring washer 2-12H | 833-82 | 8 | 9-36 | 207068 | 207068 |
| 10 | 41 | Braking ring (Ferodo) | | 1 | 9-36 | 345302 | 345302 |
| 10 | 42 | Casing | | 1 | 9-36 | 345303 | 345303 |
| 10 | 43 | Real adjusting nut | | 1 | 9-36 | 345304 | 345304 |
| 10 | 44 | Spring washer 2-8H | 833-82 | 2 | 9-36 | 205263 | 205263 |
| 10 | 45 | Bolt I M8x25 | 1234-85/8,8 | 2 | 9-36 | 222035 | 222035 |
| 10 | 46 | Bolt M12x70 | 1234-82 | 4 | 9-36 | 203524 | 203524 |
| 10 | 47 | Grid | | 1 | 9-36 | 345305 | 345305 |
| 10 | 48 | Nameplate | | 1 | 9-36 | 345306 | 345306 |
| 10 | 49 | Screw M5x16 | 1368-73/5,6 | 4 | 9-36 | 204568 | 204568 |

Two speed hoisting motor

Table 7.2.

| Fig.No | Pos.No | Denomination | BDS | № | Hoisting height, m | Catalogue number | |
|--------|--------|---|---------|----------|--------------------|------------------|---------------|
| | | | | | | 8000kg | 12 500kg |
| 1 | 2 | 3 | | 4 | 5 | 6 | 7 |
| 9,10 | | Electric motor KG 3517-24/6 c-te | | 1 | 9-36 | 157222 | 157222 |
| 9 | 1 | Bolt I M10x35 | 1232-82 | 12 | 9-36 | 203486 | 203486 |
| 9 | 2 | Spring washer 2-10H | 833-82 | 20 | 9-36 | 207067 | 207067 |
| 9 | 11 | Spring | | 1 | 9-36 | 345307 | 345307 |
| 9 | 23 | Front shield | | 1 | 9-36 | 345308 | 345308 |
| 9 | 26 | Stator | | 1 | 9-36 | 345309 | 345309 |
| 10 | 32 | Rotor | | 1 | 9-36 | 345310 | 345310 |
| 10 | 35 | Rear shield | | 1 | 9-36 | 345311 | 345311 |
| 10 | 39 | Fan | | 1 | 9-36 | 345312 | 345312 |
| 10 | 41 | Brake ring (ferodo) | | 1 | 9-36 | 345313 | 345313 |
| 10 | 42 | Casing | | 1 | 9-36 | 345314 | 345314 |
| 10 | 47 | Grind | | 1 | 9-36 | 345315 | 345315 |
| 10 | 48 | Nameplate | | 1 | 9-36 | 345316 | 345316 |

NOTE:

Only the catalogue numbers of those units, which distinguish the two-speed electric motor from the one-speed one, follow succession. All the missing catalogue numbers coincide with those of the one-speed electric motor.

Group 8 – CONTROL BLOCK

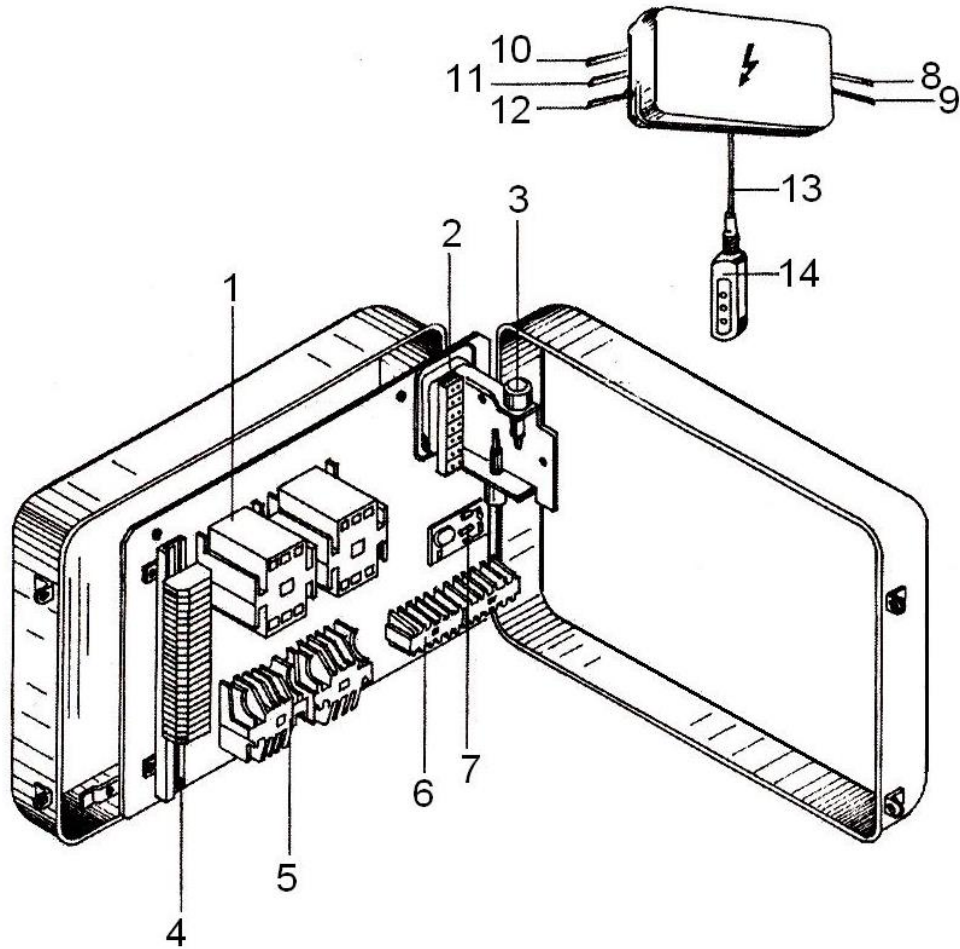


Fig. 11

Table 8.1

| Fig.No | Pos.No | Denomination | № | Hoisting height, m | Catalogue number | | |
|--------|--------|---|---|--------------------|------------------|----------|--------|
| | | | | | 8000kg | 12 500kg | |
| 1 | 2 | 3 | 4 | 5 | 6 | 7 | |
| 11 | | Electric switchboard (complete without cables and control switch) | Electric hoist with normal hoisting speed | 1 | 9-36 | 171265 | 171265 |
| | | | Electric hoist with normal hoisting speed and electric trolley | 1 | 9-36 | 171311 | 171311 |
| 11 | | Electric switchboard (complete without cables and control switch) | Electric hoist with normal and creep hoisting speed | 1 | 9-36 | 171280 | 171280 |
| | | | Electric hoist with normal hoisting speed, creep speed and electric trolley | 1 | 9-36 | 171335 | 171335 |
| 11 | | Electric switchboard (complete without cables and control switch) | Electric hoist with normal and creep hoisting speed and auxiliary brake | 1 | 9-36 | 171303 | 171303 |
| | | | Electric hoist with normal hoisting speed, creep speed and auxiliary brake and electric trolley | 1 | 9-36 | 171346 | 171346 |
| 11 | | Electric switchboard (complete without cables and control switch) | Electric hoist with normal hoisting speed and auxiliary brake | 1 | 9-36 | 171295 | 171295 |
| | | | Electric hoist with normal hoisting speed, auxiliary brake and electric trolley | 1 | 9-36 | 171334 | 171334 |
| 11 | 1 | Contactors for normal hoisting speed | | | | | |
| | | Single speed hoisting | KV3 | 2 | 9-36 | 256158 | 256158 |
| | | Two-speed hoisting | K25E | 2 | 9-36 | 256157 | 256157 |
| 11 | 2 | Starting transformer | TZ-300K | 1 | 9-36 | 256161 | 256161 |
| 11 | 3 | Fuse for transformer | PZ45x6.3, 500V, 3A | 2 | 9-36 | 345285 | 345285 |
| 11 | 4 | Terminals | 2.5mm ² | | 9-36 | 168845 | 168845 |
| 11 | 4 | Terminals | 10mm ² | | 9-36 | 168555 | 168555 |
| 11 | 5 | Contactors for creep speed | KV3 | 2 | 9-36 | 256158 | 256158 |

SPARE PARTS CATALOGUE. Electric hoist type T (8 and 12,5t)

| | | | | | | | |
|----|----|---|-------------------------------|---|------|--------|--------|
| 11 | 6 | Contactors for the electric trolley | K10E | 2 | 9-36 | 256155 | 256155 |
| 11 | 7 | Rectifier (complete) | KZ402G | 1 | 9-36 | 256162 | 256162 |
| 11 | 8 | Cable for electric motor of trolley | SVVE*3x2.5+2.5mm ² | 1 | 9-36 | 256166 | 256166 |
| 11 | 8 | Cable for electric motor of trolley | SVVE*4x1.5mm ² | 1 | 9-36 | 256167 | 256167 |
| 11 | 9 | Cable for the auxiliary brake | SVVE*3x1.5mm ² | 1 | 9-36 | 256165 | 256165 |
| 11 | 10 | Supply cable | SKPT*3x6+4mm ² | 1 | 9-36 | 256197 | 256197 |
| 11 | 11 | Hoisting motor cable: | | | | | |
| | | •Single-speed hoisting | SVVE*3x4+2.5mm ² | 1 | 9-36 | 256199 | 256199 |
| | | •Two-speed hoisting | SVVE*6x4+2.5mm ² | 1 | 9-36 | 256172 | 256172 |
| 11 | 12 | Cable for the limit switch | | | | | |
| | | •Single-speed hoisting | SVVE 4x0.75mm ² | 1 | 9-36 | 256173 | 256173 |
| | | | SVVE 4x1.5mm ² | 1 | 9-36 | 256174 | 256174 |
| | | •Two-speed hoisting | SVVE 3x0.75mm ² | 1 | 9-36 | 256175 | 256175 |
| | | | SVVE 3x1.75mm ² | 1 | 9-36 | 256176 | 256176 |
| 11 | 13 | Control switch cable | | | | | |
| | | •Single-speed hoisting | SKPSS 3x0.75 mm ² | 1 | 9-36 | 256177 | 256177 |
| | | | SKPSS 3x1.5 mm ² | 1 | 9-36 | 256178 | 256178 |
| | | •Single-speed hoisting and electric trolley | SKPSS 5x0.75 mm ² | 1 | 9-36 | 256179 | 256179 |
| | | | SKPSS 5x1.5 mm ² | 1 | 9-36 | 256180 | 256180 |
| | | •Two-speed hoisting | SKPSS 6x0.75 mm ² | 1 | 9-36 | 256183 | 256183 |
| | | | SKPSS 6x1.5 mm ² | 1 | 9-36 | 256184 | 256184 |
| | | •Two-speed hoisting and electric trolley | SKPSS 8x0.75 mm ² | 1 | 9-36 | 256185 | 256185 |
| | | | SKPSS 8x1.5 mm ² | 1 | 9-36 | 256186 | 256186 |
| 11 | 14 | Control switch | | | | | |
| | | Electric hoist without electric trolley and without latch key | Single-speed hoisting KS11 | 1 | 9-36 | 290535 | 290535 |
| | | | Two-speed hoisting KS12a | 1 | 9-36 | 290534 | 290534 |
| | | Electric hoist without electric trolley - with latch key | Single-speed hoisting KS13 | 1 | 9-36 | 192683 | 192683 |
| | | | Two-speed hoisting KS14 | 1 | 9-36 | 192684 | 192684 |
| | | Electric hoist without electric trolley, without latch key | Single-speed hoisting KS23 | 1 | 9-36 | 290529 | 290529 |
| | | | Two-speed hoisting KS24a | 1 | 9-36 | 290523 | 290523 |
| | | Electric hoist without electric trolley and latch key | Single-speed hoisting KS29 | 1 | 9-36 | 192681 | 192681 |
| | | | Two-speed hoisting KS291 | 1 | 9-36 | 192682 | 192682 |

NOTE:

1. For zero-connection of metal control switch use control cable with a "zero" wire SKPSS.
2. It is possible to use other control switches, made of different firms.

Group 9 – RIGID MOUNTED TROLLEY

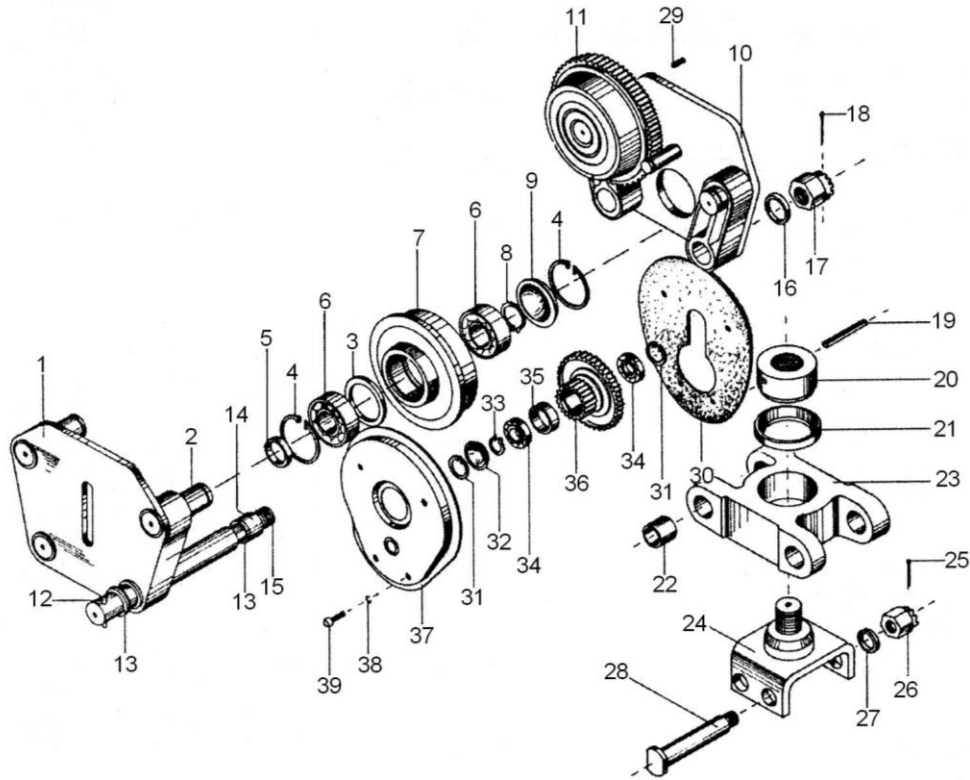


Fig.12

Table 9.1.

| Fig.No | Pos.No | Denomination | BDS | № | Hoisting height, m | Catalogue number | |
|--------|--------|--|------------|---|--------------------|------------------|-----------------|
| | | | | | | 8000kg | 12 500kg |
| 1 | 2 | 3 | | 4 | 5 | 6 | 7 |
| 12 | | Trolley with electric motors without brake (complete) | V= 20m/min | 1 | 9 | 149857 (248806) | 149793 (248800) |
| 12 | | Trolley with electric motors without brake (complete) тележка с двигателем без тормоза | | 1 | 12 | 149860 (248803) | 149790 (248797) |
| 12 | | Trolley with electric motors without brake (complete) | | 1 | 18 | 149790 (248797) | - |
| 12 | | Trolley with electric motors without brake (complete) | V= 20m/min | 1 | 24 | 137256 (137268) | - |
| 12 | | Trolley with electric motors without brake (complete) | | 1 | 30 | 137259 (137271) | - |
| 12 | | Trolley with electric motors without brake (complete) | | 1 | 36 | 137262 (137274) | - |
| 12 | | Trolley with electric motors with brake (complete) | V= 20m/min | 1 | 9 | 149858 (248807) | 149794(248801) |
| 12 | | Trolley with electric motors with brake (complete) V= 20m/min | | 1 | 12 | 149861 (248804) | 149791 (248798) |
| 12 | | Trolley with electric motors with brake (complete) | | 1 | 18 | 149791 (248798) | - |
| 12 | | Trolley with electric motors with brake (complete) | V= 20m/min | 1 | 24 | 137257 (137269) | - |
| 12 | | Trolley with electric motors with brake (complete) | | 1 | 30 | 137260(137272) | - |
| 12 | | Trolley with electric motors with brake (complete) | | 1 | 36 | 137263 (137275) | - |
| 12 | | Trolley with electric motors with brake (complete) | V= 32m/min | 1 | 9 | 149859 (248808) | 149795(248802) |
| 12 | | Trolley with electric motors with brake (complete) V= 20m/min | | 1 | 12 | 149862 (248805) | 149792 (248799) |
| 12 | | Trolley with electric motors with brake (complete) | | 1 | 18 | 149792 (248799) | - |

SPARE PARTS CATALOGUE. Electric hoist type T (8 and 12,5t)

| | | | | | | | |
|----|-----|--|------------|----|-------|-----------------|--------|
| 12 | | Trolley with electric motors with brake (complete) | V= 32m/min | 1 | 24 | 137258 (137270) | - |
| 12 | | Trolley with electric motors with brake (complete) | | 1 | 30 | 137261(137273) | - |
| 12 | | Trolley with electric motors with brake (complete) | | 1 | 36 | 137264 (137276) | - |
| 12 | 1* | Side wall, driven, with axles | | 1 | 9-36 | 149006 | 149006 |
| 12 | 2 | Axle | | 4 | 9-36 | 148996 | 148996 |
| 12 | 3 | Spacing bush | | 4 | 9-36 | 149004 | 149004 |
| 12 | 4 | Ring A100 | 2170-77 | 8 | 9-36 | 221394 | 221394 |
| 12 | 5 | Cap | | 4 | 9-36 | 148993 | 148993 |
| 12 | 6 | Ball bearing №6309 | 4843-84 | 8 | 9-36 | 206051 | 206051 |
| 12 | 7 | Driven running wheel | | 2 | 9-36 | 149009 | 149009 |
| 12 | 8 | Ring V45 | 2170-77 | 4 | 9-36 | 208719 | 208719 |
| 12 | 9 | Cap | | 4 | 9-36 | 148994 | 148994 |
| 12 | 10* | Side wall, driving, with axles | | 1 | 9-36 | 148995 | 148995 |
| 12 | 11 | Driving running wheel | | 2 | 9-36 | 149003 | 149003 |
| 12 | 12 | Cylindrical pin | | 2 | 9-36 | 148989 | 148989 |
| 12 | 13 | Washer | | 24 | 9-36 | 148986 | 148986 |
| 12 | 14 | Bush | | 2 | 9-36 | 148984 | 148984 |
| 12 | 15 | Stud | | 2 | 9-36 | 148985 | 148985 |
| 12 | 16 | Washer AM42 | 206-78 | 2 | 9-36 | 202756 | 202756 |
| 12 | 17 | Nut II M42x3 | 745-90 | 2 | 9-36 | 222550 | 222550 |
| 12 | 18 | Split pin 8x80 | 55-77 | 2 | 9-36 | 208908 | 208908 |
| 12 | 19 | Cylindrical pin 12x100 | 3954-80 | 2 | 9-36 | 222551 | 222551 |
| 12 | 20 | Special nut | | 1 | 9-36 | 149811 | 149811 |
| 12 | 21 | Washer | | 1 | 9-36 | 149812 | 149812 |
| 12 | 23 | Sleeper, welding | | 1 | 9-36 | 149810 | 149810 |
| 12 | 23 | Sleeper, casting | | 1 | 9-36 | 149806 | 149806 |
| 12 | 24 | Bolt | | 1 | 9,12 | 149813 | 149813 |
| 12 | 24 | Clamp | | 1 | 18-36 | 149877 | 149877 |
| 12 | 25* | Split pin 6,3x50 | 55-77 | 4 | 18-36 | 208911 | 208911 |
| 12 | 26* | Nut II M30 | 745-90 | 4 | 18-36 | 208976 | 208976 |
| 12 | 27* | Washer AM30 | 206-78 | 4 | 18-36 | 202704 | 202704 |
| 12 | 28* | Bolt | | 4 | 9,12 | 149789 | 149789 |
| 12 | 28* | Bolt | | 4 | 18-36 | 149875 | 149875 |
| 12 | 29 | Stud AI-O M8x18 | 1238-87 | 3 | 9-36 | 201671 | 201671 |
| 12 | 30 | Sealing | | 1 | 9-36 | 148991 | 148991 |
| 12 | 31 | Ring A47 | 2170-77 | 1 | 9-36 | 208726 | 208726 |
| 12 | 32 | Cap | | 1 | 9-36 | 148887 | 148887 |
| 12 | 33 | Ring V25 | 2170-77 | 1 | 9-36 | 208714 | 208714 |
| 12 | 34 | Ball bearing 6005 SKF | | 1 | 9-36 | 204864 | 204864 |
| 12 | 35 | Spacing bush | | 1 | 9-36 | 149001 | 149001 |
| 12 | 36 | Gear wheel block | | 1 | 9-36 | 149000 | 149000 |
| 12 | 37 | Cover | | 1 | 9-36 | 148992 | 148992 |
| 12 | 38 | Spring washer 2-8H | 833-82 | 4 | 9-36 | 205263 | 205263 |
| 12 | 39 | Screw I M8x40 | 1358-85 | 4 | 9-36 | 208990 | 208990 |
| 12 | 40 | Sleep | | 1 | 9 | 149864 | 149805 |
| 12 | 40 | Sleep | | 1 | 12 | 149805 | 149804 |
| 12 | 40 | Sleep | | 1 | 24 | 137277 | - |
| 12 | 40 | Sleep | | 1 | 30 | 137278 | - |
| 12 | 40 | Sleep | | 1 | 36 | 137279 | - |

NOTE:

1. The number of details Pos. №25, 26, 27 and 28 are two less than the usual number, with the electric hoists of 8 ton load capacity and 9m hoisting height.
2. The bracketed catalogue Nos. refer to rigid electric trolley with welded side walls (pos. 1 and 10).

Group 10 – ELECTRIC MOTOR FOR TROLLEY

10.1. Trolley motor for trolley, V= 20m/min.

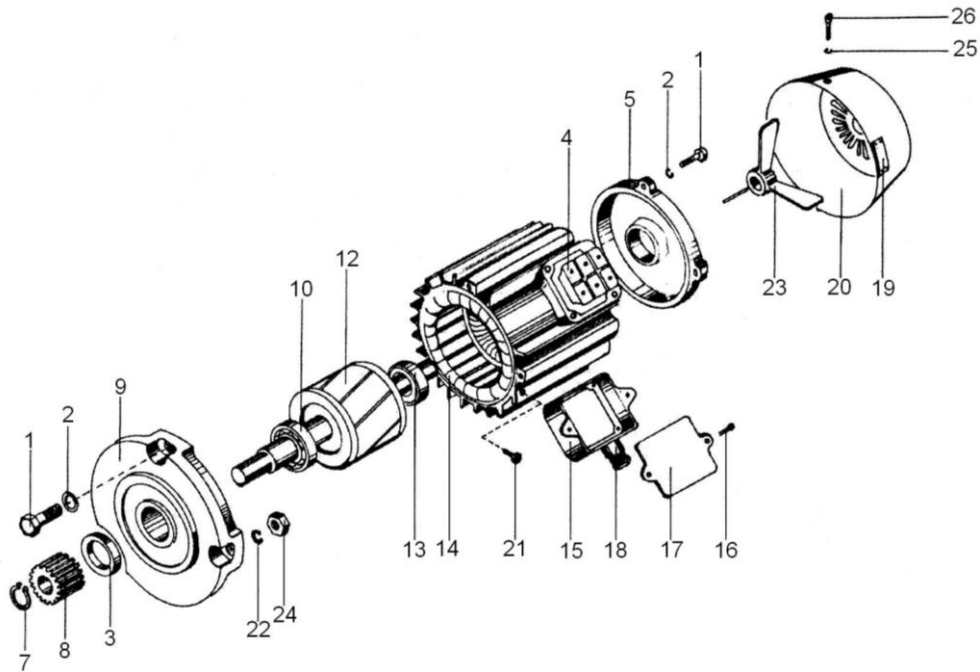


Fig. 13

Table 10.1

| Fig.No | Pos.No | Denomination | BDS | № | Hoisting height, m | Catalogue number | |
|--------|--------|--|---------|----------|--------------------|------------------|---------------|
| | | | | | | 8000kg | 12 500kg |
| 1 | 2 | 3 | | 4 | 5 | 6 | 7 |
| 13 | | Electric motor KH 1306-6A without brake | | 2 | 9-36 | 168930 | - |
| 13 | | Electric motor K 1306-6A without brake | | 2 | 9-36 | - | 168883 |
| 13 | 1 | Bolt I M6x25 | 1232-82 | 8 | 9-36 | 222029 | 222029 |
| 13 | 2 | Spring washer 2-6H | 833-82 | 7 | 9-36 | 205361 | 205361 |
| 13 | 3 | Sealing A20x40 | 9954-83 | 1 | 9-36 | 209200 | 209200 |
| 13 | 4 | Terminal board (complete) | | 1 | 9-36 | 345256 | 345256 |
| 13 | 5 | Real shield | | 1 | 9-36 | 345257 | 345257 |
| 13 | 7 | Ring V12 | 2170-77 | 1 | 9-36 | 208728 | 208728 |
| 13 | 8 | Gear wheel | | 1 | 9-36 | 148899 | 148899 |
| 13 | 9 | Shield | | 1 | 9-36 | 345258 | 345258 |
| 13 | 10 | Ball bearing №60204 (SKF6204Z) | 4884-85 | 1 | 9-36 | 206027 | 206027 |
| 13 | 12 | Rotor | | 1 | 9-36 | 345260 | 345260 |
| 13 | 13 | Ball bearing №60203 (SKF6203Z) | 4884-85 | 1 | 9-36 | 206026 | 206026 |
| 13 | 14 | Stator | | 1 | 9-36 | 345261 | 345261 |
| 13 | 15 | Outlet box | | 1 | 9-36 | 345263 | 345263 |
| 13 | 16 | Screw M4x14 | 1358-85 | 2 | 9-36 | 204539 | 204539 |
| 13 | 17 | Cap | | 1 | 9-36 | 345264 | 345264 |
| 13 | 18 | Bakelite union pipe | | 1 | 9-36 | 209209 | 209209 |
| 13 | 19 | Nameplate | | 1 | 9-36 | 345265 | 345265 |
| 13 | 20 | Fan's cover | | 1 | 9-36 | - | 345267 |
| 13 | 21 | Earthling screw M6x12 | 1230-85 | 9-36 | 9-36 | 209203 | 209203 |
| 13 | 22 | Spring washer 2-8H | 833-82 | 3 | 9-36 | 205263 | 205263 |
| 13 | 23 | Fan | | 1 | 9-36 | - | 345268 |
| 13 | 24 | Nut I M8/5 | 744-91 | 3 | 9-36 | 219196 | 219196 |
| 13 | 25 | Spring washer 2-5H | 833-82 | 3 | 9-36 | - | 208533 |
| 13 | 26 | Screw I M5x5/5,6 | 832-83 | 3 | 9-36 | - | 204681 |

10.2. Electric motor for trolley with brake V=20m/min; V=32m/min

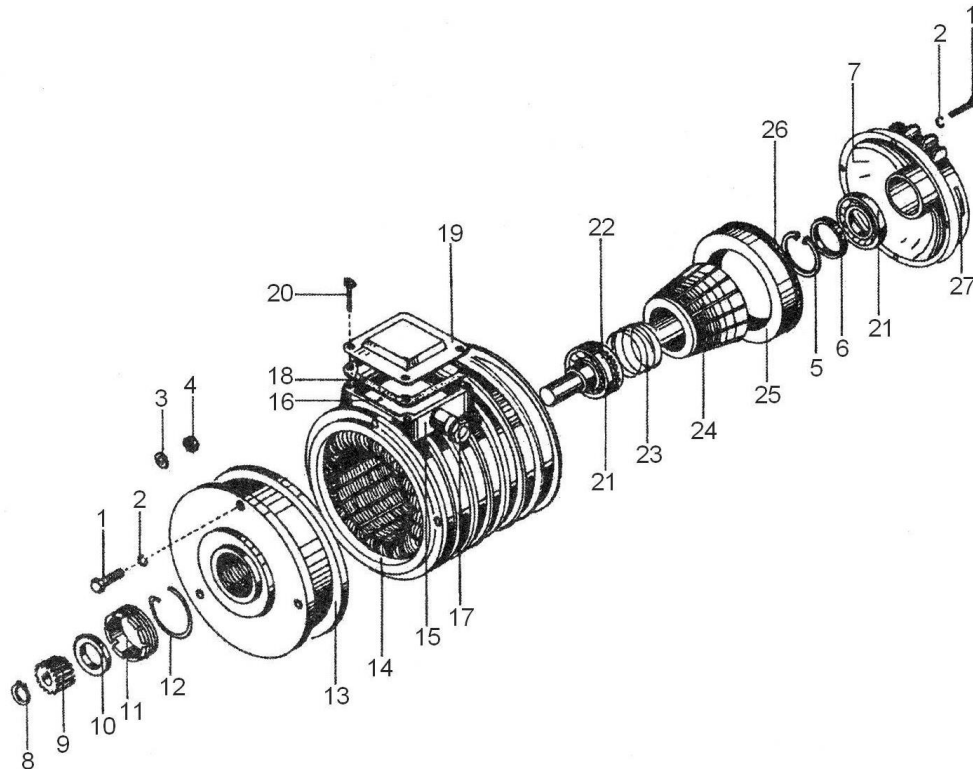


Fig. 14

Table 10.2

| Fig.No | Pos.No | Denomination | BDS | № | Hoisting height, m | Catalogue number | |
|--------|--------|------------------------------------|-------------|---|--------------------|------------------|----------|
| | | | | | | 8000kg | 12 500kg |
| 1 | 2 | 3 | | 4 | 5 | 6 | 7 |
| 14 | | Electric motor KK 1405-6A | V= 20m/min | 2 | 9-36 | 160580 | - |
| 14 | | Electric motor KK 1407-6A | | 2 | 9-36 | - | 168929 |
| 14 | | Electric motor KK 1405-4A | V= 32m/min | 2 | 9-36 | 143535 | 168929 |
| 14 | | Electric motor KK 1407-4A | | 2 | 9-36 | - | 168928 |
| 14 | 1 | Bolt I M6x18 | 1234-85/8,8 | 8 | 9-36 | 203008 | 203008 |
| 14 | 2 | Spring washer 2-6H | 833-82 | 8 | 9-36 | 205361 | 205361 |
| 14 | 3 | Spring washer 2-8H | 833-82 | 3 | 9-36 | 205363 | 205363 |
| 14 | 4 | Nut I M 8/5 | 744-91 | 3 | 9-36 | 219196 | 219196 |
| 14 | 5 | Ring A47 | 2170-77 | 1 | 9-36 | 208726 | 208726 |
| 14 | 6 | Bush | | 1 | 9-36 | 345122 | 345122 |
| 14 | 7 | Real shield | | 1 | 9-36 | 345124 | 345124 |
| 14 | 8 | Ring B12 | 2170-77 | 1 | 9-36 | 208728 | 208728 |
| 14 | 9 | Gear wheel | | 1 | 9-36 | 148899 | 148899 |
| 14 | 10 | Sealing A20x35 | 9954-83 | 1 | 9-36 | 209201 | 209201 |
| 14 | 11 | Adjusting nut | | 1 | 9-36 | 345126 | 345126 |
| 14 | 12 | Spring ring | | 1 | 9-36 | 345128 | 345128 |
| 14 | 13 | Front shield | | 1 | 9-36 | 345130 | 345130 |
| 14 | 14 | Stator-speed V= 20m/min | | 1 | 9-36 | 345134 | 345136 |
| 14 | 14 | Stator-speed V= 32m/min | | 1 | 9-36 | 345133 | 345135 |
| 14 | 15 | Outlet box | | 1 | 9-36 | 345137 | 345137 |
| 14 | 16 | Terminal board | | 1 | 9-36 | 345138 | 345138 |
| 14 | 17 | Bakelite union pipe | | 1 | 9-36 | 209209 | 209209 |
| 14 | 18 | Searing | | 1 | 9-36 | 345142 | 345142 |
| 14 | 19 | Cover | | 1 | 9-36 | 345144 | 345144 |
| 14 | 20 | Screw M5x10 | 1358-85 | 4 | 9-36 | 222082 | 222082 |
| 14 | 21 | Roller bearing NUB204 ('SKF) | | 2 | 9-36 | 209211 | 209211 |
| 14 | 22 | Thrust bearing 8106 GOST (SKF1106) | | 1 | 9-36 | 206405 | 206405 |
| 14 | 23 | Braking spring | | 1 | 9-36 | 345147 | 345148 |

SPARE PARTS CATALOGUE. Electric hoist type T (8 and 12,5t)

| | | | | | | |
|----|----|----------------------------|---|------|--------|--------|
| 14 | 24 | Rotor | 1 | 9-36 | 345151 | 345152 |
| 14 | 25 | Barking disk | 1 | 9-36 | 345154 | 345155 |
| 14 | 26 | Braking ring (ferodo) | 1 | 9-36 | 345157 | 345157 |
| 14 | 27 | Nameplate-speed V= 20m/min | 1 | 9-36 | 345161 | 345163 |
| 14 | 27 | Nameplate-speed V= 32m/min | 1 | 9-36 | 345160 | 345162 |

✂-----

REQUEST

for spare parts for electric hoist, type, serial number, year of production, operation mode group, supply voltage
Requested in accordance with Catalogue №

| № | Spare part | Catalogue number | QTY |
|---|------------|------------------|-----|
| | | | |
| | | | |
| | | | |
| | | | |
| | | | |
| | | | |

Spare parts to be delivered at the following address:

.....
.....

Type of delivery:

Date.....

Customer.....

✂-----