

FALW/OP-1E

cylindrical photosensors

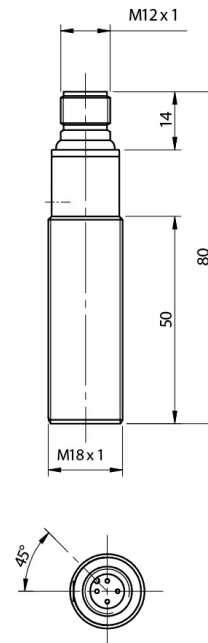


Micro Detectors

Italian Sensors Technology



Indicative image



Detection properties

Nominal sensing distance 30..150mm white target 90% Kodak 100x100mm

Thermal drift of Sr $\leq 10\%$ Sr

Repeat Accuracy 10%

Sensitivity adjustment Trimmer

Application

Function Principle Background suppression

Optic position Axial

Outputs

Output type PNP

Output Function LO/DO

Switching frequency 1,5kHz

Electrical data

Operating Voltage	10...30Vdc
No-Load supply current	≤40mA
Load current	≤100mA
Leakage current	≤10μA
Output voltage drop	2V max. IL =100 mA
Max ripple content	10%
LED indicators	Yellow (output state)
Time delay before availability	≤250ms
Short-circuit protection	Short circuit (autoreset), Overvoltage
Reverse Polarity Protection	Polarity inversal, Impulsive voltage
Emission	Red laser diode (650nm) class2 (IEC60825-1)
Interference to external light	3000lux (incandescent lamp), 10000lux (sunlight)

Mechanical data

Dimensions	M18 x 1 / L =80mm
Weight	60g
Housing Material	Nickel plated brass / PA12 plug
Connections	M12 plug
Active Head Material	PMMA / ABS
Tightening torque	25Nm
Operating temperature	-15°C...+ 55°C (Without freeze)
Diameter/Dimension	M18

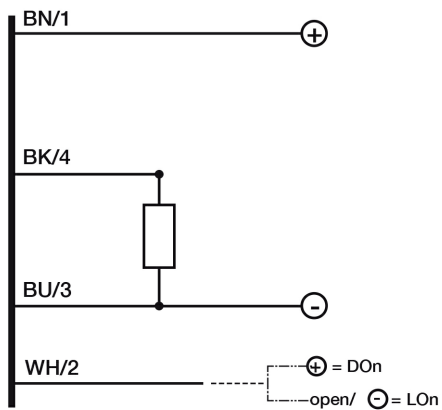
Test/Approvals

Approvals	CE, cULus
EMC compatibility	EN 60947-5-2
Shocks and vibrations	Vibration IEC 60068-2-6 / Shock IEC 60068-2-27
Degree of protection	IP67

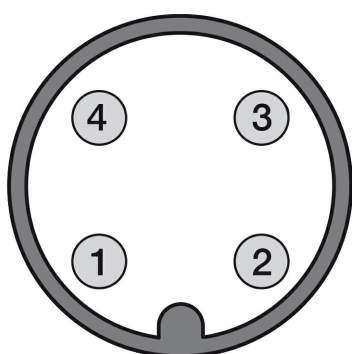
Accessories

Supplied Accessories	nuts M18 x 1, screwdriver
----------------------	---------------------------

ELECTRICAL DIAGRAMS OF THE CONNECTIONS

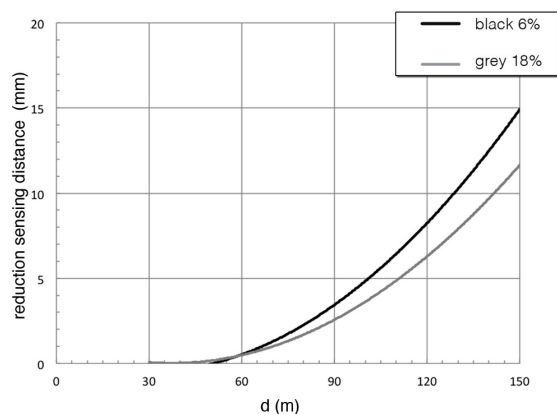


CONNECTOR



RESPONSE CURVES

Riduzione distanza di rilevamento



Strada S.Caterina, 235
41122 Modena (MO)
Tel. 059 420411
Fax 059 253973
E-mail info@microdetectors.com

02/12/2020 12:38:10