

# PSC/AP-0C

cubic photosensors

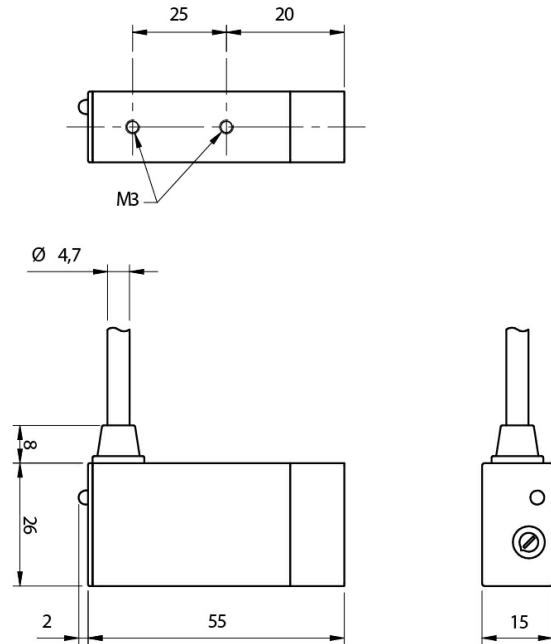


Micro Detectors

Italian Sensors Technology



Indicative image



## Detection properties

Nominal sensing distance	3m
Thermal drift of Sr	≤ 10% Sr
Repeat Accuracy	≤ 5%
Sensitivity adjustment	1 turn trimmer

## Application

Function Principle	Retro-reflective
Optic position	Axial

## Outputs

Output type	PNP
Output Function	NO
Switching frequency	100Hz

## Electrical data

Operating Voltage	10...30Vdc
No-Load supply current	30mA max
Load current	≤ 100mA
Leakage current	≤ 10µA @ Vmax

Output voltage drop	1,2V max
Max ripple content	≤ 10%
LED indicators	Red (output energized)
Time delay before availability	200ms
Short-circuit protection	Yes
Reverse Polarity Protection	Yes
Emission	infrared (880nm)
Interference to external light	3000lux Incandescent Lamp, 10000lux

## Mechanical data

Dimensions	15x54,5X26mm
Weight	90g
Connections	2m PVC cable - 90° Output
Active Head Material	PMMA
Operating temperature	- 25°C...+ 70°C ( without freeze)
Material	Housing ABS; Optic PMMA
Diameter/Dimension	Cubic

## Test/Approvals

Approvals	CE
EMC compatibility	EN 60947-5-2
Shocks and vibrations	Vibration IEC 60068-2-6 / Shock IEC 60068-2-27
Degree of protection	IP65

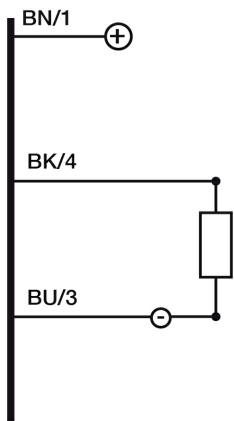
## Accessories

Supplied Accessories	ST07 mounting bracket and screws
----------------------	----------------------------------

---

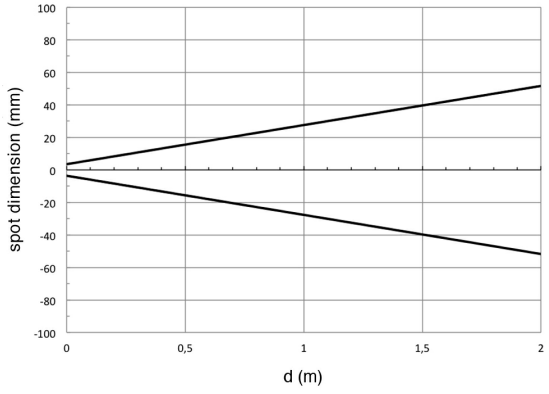
# ELECTRICAL DIAGRAMS OF THE CONNECTIONS

---

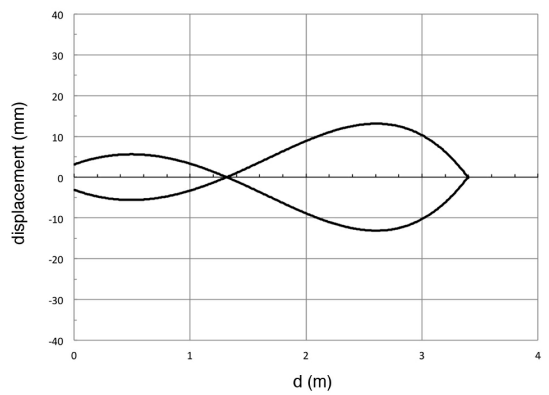


# RESPONSE CURVES

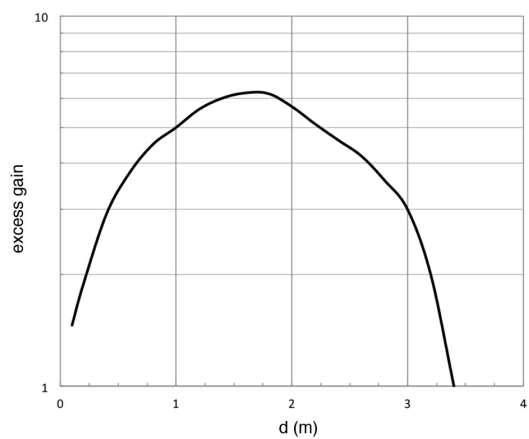
## Dimensione Spot



## Disassamento Parallelo



## Eccesso di Guadagno



---

**M.D.Micro Detectors S.p.A.**

Strada S.Caterina, 235

41122 Modena (MO)

Tel. 059 420411

Fax 059 253973

E-mail [info@microdetectors.com](mailto:info@microdetectors.com)

**date of printing**

02/12/2020 12:36:39