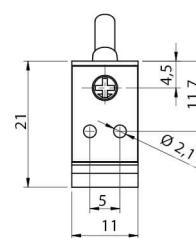
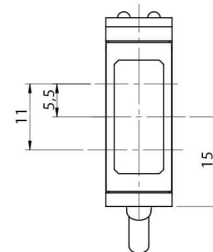
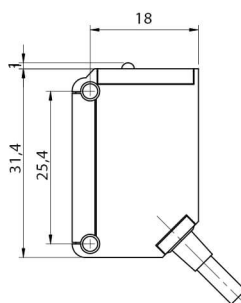


QFRS/BP-1A

cubic photosensors



Detection properties

Nominal sensing distance	25...200mm
Repeat Accuracy	5%
Sensitivity adjustment	Trimmer

Application

Function Principle	background suppression
Optic position	90°

Outputs

Output type	PNP
Output Function	NO+NC
Switching frequency	500Hz

Electrical data

Operating Voltage	10-30Vdc
No-Load supply current	≤40mA
Load current	≤100mA
Leakage current	≤100μA
Output voltage drop	2V max. IL =100 mA

Max ripple content	10%
LED indicators	Yellow (status output) , green (power on, excess gain)
Time delay before availability	≤30ms
Short-circuit protection	Short circuit (autoreset), Overvoltage
Reverse Polarity Protection	Polarity inversal, Impulsive voltage
Emission	Red (617nm)
Interference to external light	≤10000lux

Mechanical data

Dimensions	31,4x21x11mm
Weight	100g
Housing Material	Stainless steel 316L
Connections	2m PVC cable
Active Head Material	PPSU
Operating temperature	- 25°C...+ 60° C (Without freeze)
Storage temperature	-40° ... +70°C
Diameter/Dimension	Cubic

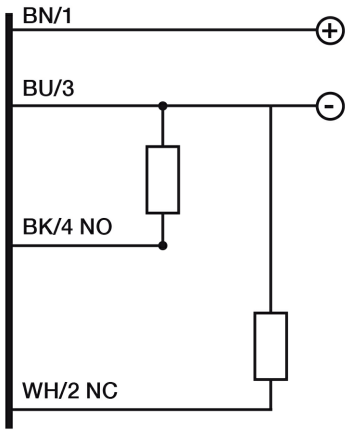
Test/Approvals

Approvals	CE cULus, ECOLAB
EMC compatibility	EN 60947-5-3
Shocks and vibrations	Vibration IEC 60068-2-6 / Shock IEC 60068-2-27
Degree of protection	IP68, IP69K

Accessories

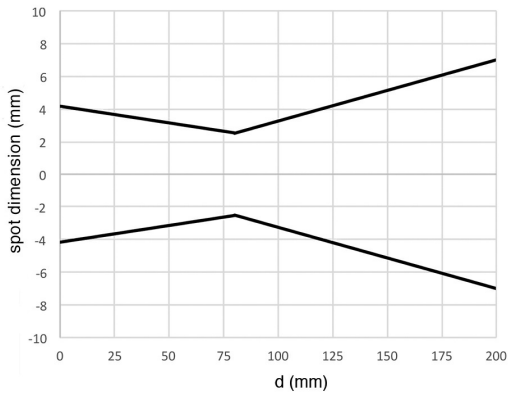
Supplied Accessories	Mouting bracket screwdriver
----------------------	-----------------------------

ELECTRICAL DIAGRAMS OF THE CONNECTIONS

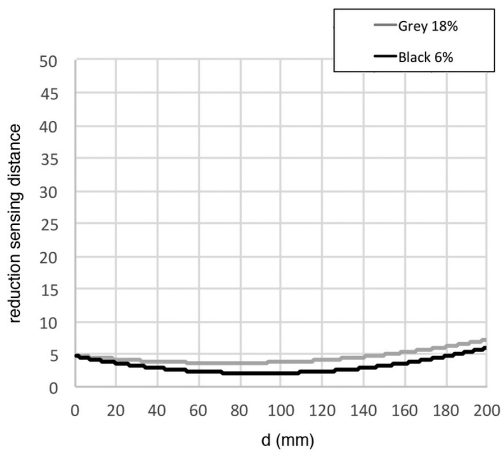


RESPONSE CURVES

Dimensione Spot



Riduzione distanza di rilevamento



41122 Modena (MO)
Tel. 059 420411
Fax 059 253973
E-mail info@microdetectors.com