



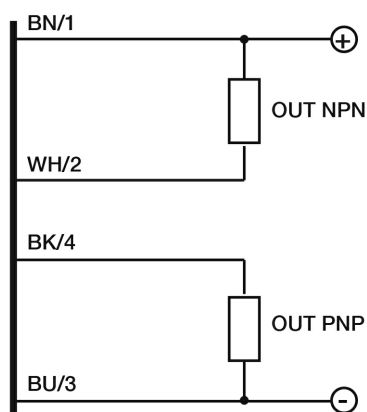
## Mechanical data

Width slot detection	120mm
Depth slot detection	59mm
Dimensions	Width slot detection 120mm - Depth slot detection 59mm
Weight	103g
Housing Material	Painted aluminium
Connections	M8 plug 4 pin
Active Head Material	Polyamide/glass
Operating temperature	- 20°C...+ 60°C
Storage temperature	- 30°C...+ 80°C

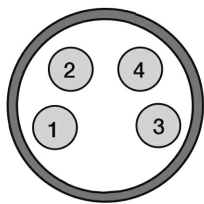
## Test/Approvals

Approvals	CE UL
EMC compatibility	EN 60947-5-2
Degree of protection	IP65

# ELECTRICAL DIAGRAMS OF THE CONNECTIONS



# CONNECTOR



---

---

**M.D. Micro Detectors S.p.A.**

Strada S. Caterina, 235

41122 Modena (MO)

Tel. 059 420411

Fax 059 253973

E-mail [info@microdetectors.com](mailto:info@microdetectors.com)

**date of printing**

01/12/2020 20:03:41