

F1R/0P-0A

Amplificatori per Fibre Ottiche

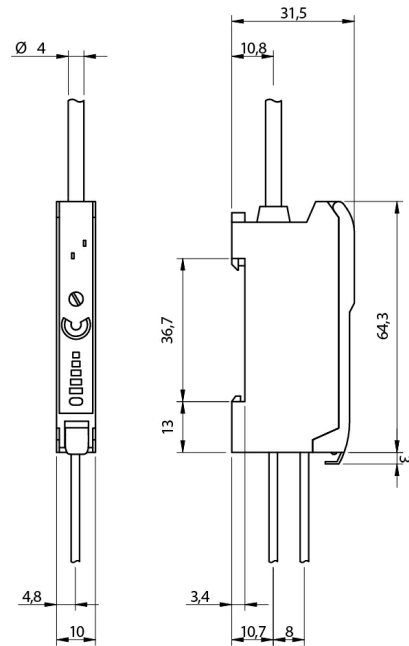


Micro Detectors

Italian Sensors Technology



Indicative image



Detection properties

Nominal sensing distance	Depending on fibre used
Repeat Accuracy	5%
Sensitivity adjustment	8 turn trimmer

Outputs

Output type	PNP
Output Function	LO/DO
Switching frequency	Standard
Response time	200 µs max

Electrical data

Operating Voltage	12...24Vdc
No-Load supply current	< 35 mA
Load current	50 mA max
Leakage current	< 10 µA
Output voltage drop	1 V max
Max ripple content	≤ 10 %
LED indicators	Orange (output active); green (n.4 - received signal level); red (no received signal)
Time delay before availability	≤ 200 ms

Short-circuit protection	Yes
Reverse Polarity Protection	Yes
Emission	Red (680 nm)
Interference to external light	10.000lux (incandescent lamp), 20.000lux (sunlight)

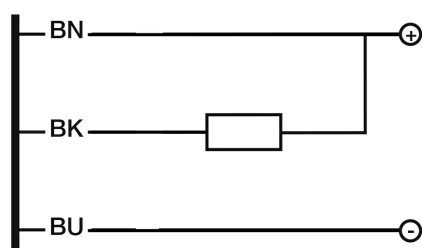
Mechanical data

Dimensions	10x31.5x64.3 mm
Weight	70 g (approx.)
Housing Material	PBT (housing); PC (cover)
Connections	2m PVC cable
Operating temperature	- 25°C...+ 55°C (without freeze)
Storage temperature	- 30°C...+ 70°C (without freeze)

Test/Approvals

Approvals	CE
EMC compatibility	EN 60947-5-2
Degree of protection	IP67

ELECTRICAL DIAGRAMS OF THE CONNECTIONS



M.D.Micro Detectors S.p.A.

Strada S.Caterina, 235
 41122 Modena (MO)
 Tel. 059 420411
 Fax 059 253973
 E-mail info@microdetectors.com

date of printing

01/12/2020 19:55:43