

# AT1/CP-4H

cylindrical inductive

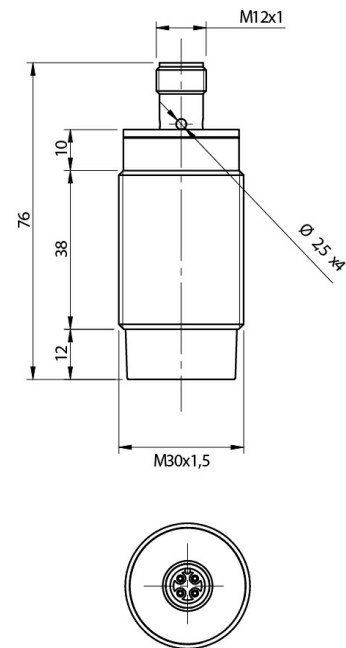


Micro Detectors

Italian Sensors Technology



Indicative image



## Detection properties

|                          |  |
|--------------------------|--|
| Nominal sensing distance | 20mm   |
| Operanting distance      | 0...16,2mm   |
| Standard target          | 60x60mm FE360  |
| Correction Factor        | copper: 0,45 / aluminium: 0,50 / brass: 0,55 / stainless steel: 0,75 |
| Thermal drift of Sr      | < 10%  |
| Repeat Accuracy          | 5% (UB 24V Ta=23°C ±5°C)   |
| Hysteresis               | 1 ... 20%  |

## Outputs

|                     |       |
|---------------------|-------|
| Output type         | PNP   |
| Output Function     | NC    |
| Switching frequency | 200Hz |

## Electrical data

|                        |             |
|------------------------|-------------|
| Operating Voltage      | 10...30Vdc  |
| No-Load supply current | ≤ 20mA      |
| Load current           | ≤ 400mA     |
| Leakage current        | ≤ 10µA      |
| Output voltage drop    | ≤ 1V @400mA |

|                                    |                         |
|------------------------------------|-------------------------|
| Max ripple content                 | ≤10%                    |
| LED indicators                     | Yellow LED output state |
| Time delay before availability     | ≤100ms                  |
| Short-circuit protection           | Yes                     |
| Reverse Polarity Protection        | Yes                     |
| Protection against inductive loads | Yes                     |

## Mechanical data

|                       |                      |
|-----------------------|----------------------|
| Mounting              | Unshielded           |
| Dimensions            | M30 x 1,5 / L = 76mm |
| Weight                | 150g                 |
| Housing Material      | Nickel-plated brass  |
| Connections           | M12 Plug             |
| Active Head Material  | PBT                  |
| Tightening torque     | 50Nm                 |
| Operating temperature | -25°C...+70°C        |
| Diameter/Dimension    | M30                  |

## Test/Approvals

|                       |  |
|-----------------------|--|
| Approvals             | CE UR  |
| EMC compatibility     | IEC 60947-5-2                                  |
| Shocks and vibrations | Vibration IEC 60068-2-6 / Shock IEC 60068-2-27 |
| Degree of protection  | IP67   |

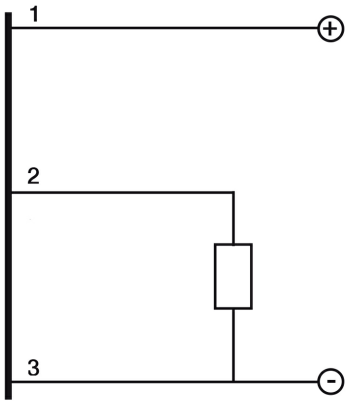
## Accessories

|                      |                |
|----------------------|----------------|
| Supplied Accessories | 2 nuts M30x1,5 |
|----------------------|----------------|

---

# ELECTRICAL DIAGRAMS OF THE CONNECTIONS

---



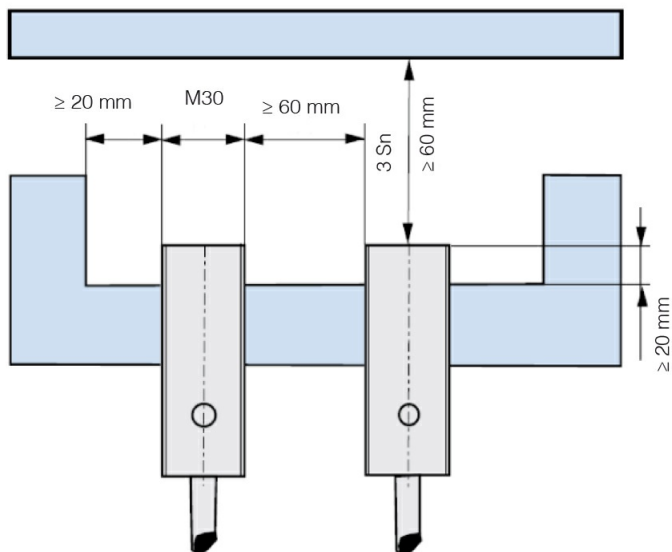
## CONNECTOR

---



## INSTALLATION

---

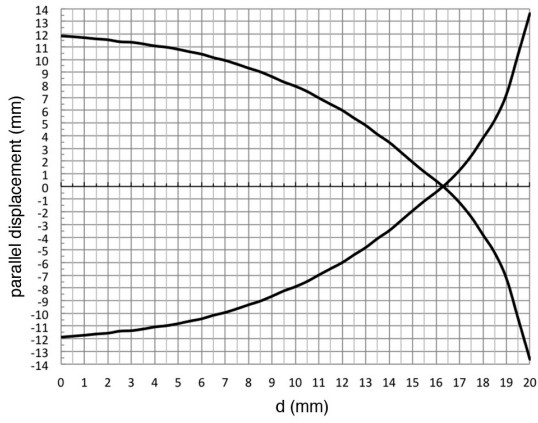


<sup>(1)</sup>  $\geq 9 \text{ mm}$  for non magnetic materials

# RESPONSE CURVES

---

## Disassamento Parallelo



---

**M.D. Micro Detectors S.p.A.**

Strada S. Caterina, 235

41122 Modena (MO)

Tel. 059 420411

Fax 059 253973

E-mail [info@microdetectors.com](mailto:info@microdetectors.com)

**date of printing**

01/12/2020 19:51:33