

# Q50I6/0T-0A

cubic photosensors

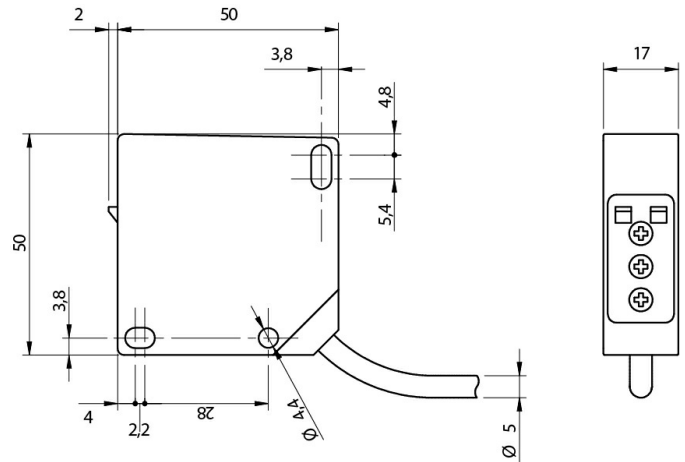


Micro Detectors

Italian Sensors Technology



Indicative image



## Detection properties

Nominal sensing distance

0.1...1m

Sensitivity adjustment

Single-turn potentiometer

## Application

Function Principle

Diffuse reflection (long distance, >600mm)

Optic position

Axial

## Outputs

Output type

Relay SPDT

Output Function

NO + NC

Switching frequency

20Hz

## Electrical data

Operating Voltage

12...240Vdc / 24...240Vac/50-60Hz

No-Load supply current

2,5VA ( relay ON)

Time delay before availability

≤ 30ms

Short-circuit protection

Yes

Reverse Polarity Protection

Yes

Emission

Infrared

## Mechanical data

Dimensions	50X50mm
Weight	200g
Connections	2m PVC cable
Active Head Material	PMMA
Operating temperature	- 20°C...+ 60°C ( UL omologation 0°C...60°C)
Material	PC/ABS
Diameter/Dimension	Cubic

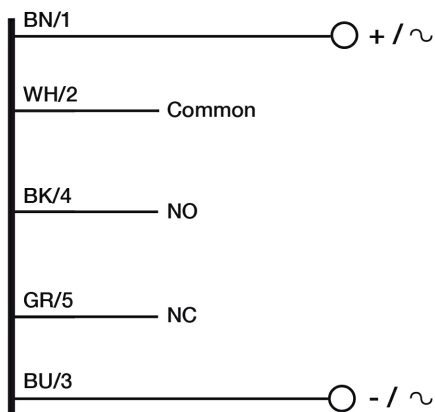
## Test/Approvals

Approvals	CE
EMC compatibility	EN 60947-5-2
Shocks and vibrations	Vibration IEC 60068-2-6 / Shock IEC 60068-2-50
Degree of protection	IP67

## Accessories

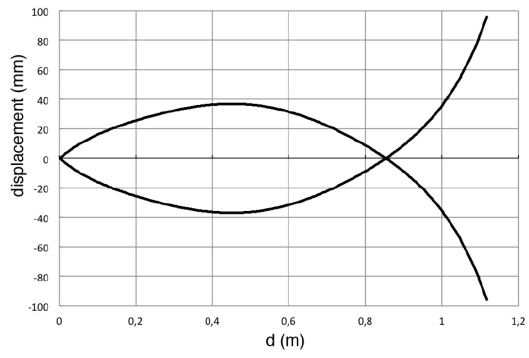
Supplied Accessories	Mounting bracket included
----------------------	---------------------------

# ELECTRICAL DIAGRAMS OF THE CONNECTIONS



# RESPONSE CURVES

## Disassamento Parallelo



---

**M.D. Micro Detectors S.p.A.**

Strada S. Caterina, 235

41122 Modena (MO)

Tel. 059 420411

Fax 059 253973

E-mail [info@microdetectors.com](mailto:info@microdetectors.com)

**date of printing**

01/12/2020 11:29:43