

# FAR2/BP-0A

cylindrical photosensors

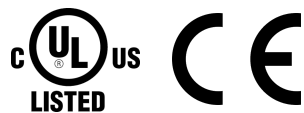
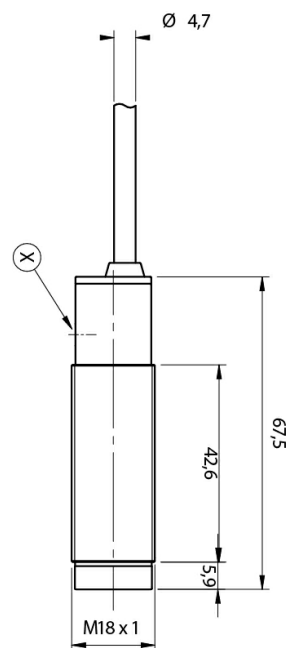


Micro Detectors

Italian Sensors Technology



Indicative image



## Detection properties

Nominal sensing distance 100mm su ostacolo bianco 90% Kodak 100x100mm

Thermal drift of Sr 10% Sr

Repeat Accuracy 5%

Sensitivity adjustment No

## Application

Function Principle Diffuse reflection (short distance,  $\leq 200$ mm)

Optic position Axial

## Outputs

Output type PNP

Output Function NO+NC

Switching frequency 250Hz

## Electrical data

Operating Voltage 10...30Vdc

No-Load supply current 30mA

Load current 100mA

Leakage current 10 $\mu$ A

Output voltage drop	2V max. IL =100 mA
Max ripple content	≤ 10%
LED indicators	Giallo (Stato luce) o (stato dell'uscita nelle versioni speciali LO/DO)
Time delay before availability	200ms
Short-circuit protection	Corto circuito (autoripristinante)
Reverse Polarity Protection	Inversione polarità, sovratensioni impulsive
Emission	Led Rosso (660 nm)
Interference to external light	3000lux (lampada incandescente), 10000lux (luce solare)

## Mechanical data

Dimensions	M18 x 1 / L = 67,5mm
Weight	100g
Housing Material	PBT / PC cable exit
Connections	2m PVC cable
Active Head Material	PC
Tightening torque	1Nm
Operating temperature	- 25°C...+ 70° C (senza condensa)
Material	housing PBT; passacavo PC; lente
Diameter/Dimension	M18

## Test/Approvals

Approvals	CE, cULus
EMC compatibility	EN 60947-5-2
Shocks and vibrations	Vibration IEC 60068-2-6 / Shock IEC 60068-2-27
Degree of protection	IP67

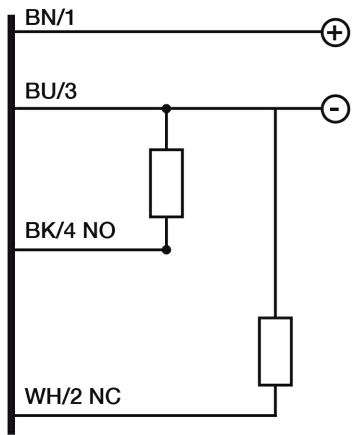
## Accessories

Supplied Accessories	nuts M18 x 1
----------------------	--------------

---

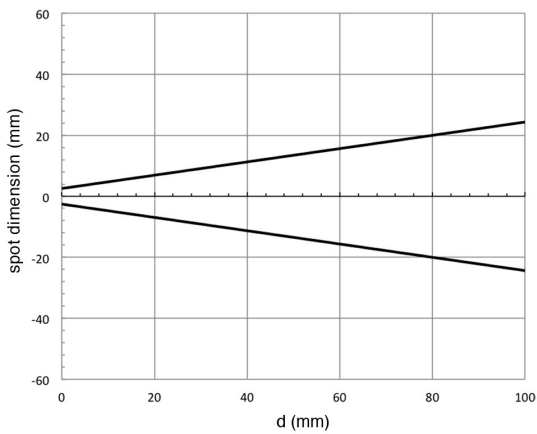
# ELECTRICAL DIAGRAMS OF THE CONNECTIONS

---

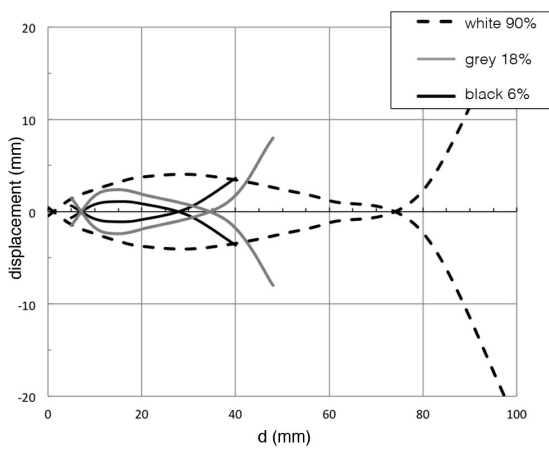


# RESPONSE CURVES

## Dimensione Spot



## Disassamento Parallelo



41122 Modena (MO)  
Tel. 059 420411  
Fax 059 253973  
E-mail [info@microdetectors.com](mailto:info@microdetectors.com)