

CL12/0B-00C

connectors

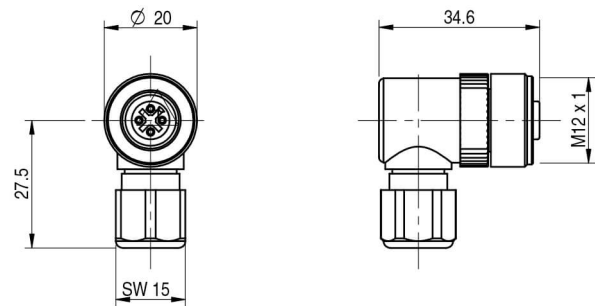


Micro Detectors

Italian Sensors Technology



Indicative image



Application

Fixing

screw terminals

Electrical data

Rated current	4 A
Wires	4
Insulation resistance	$\geq 100 \text{ m}\Omega$
Contact resistance	$\leq 5 \text{ m}\Omega$
Rated voltage	250 V

Mechanical data

Operating temperature	-25 °C ... 90 °C
Head type	90°
Plug	M12
Outer diameter	3 mm ... 6,5 mm
Stripping length of the sheath	20 mm
Conductors section	4
Model	Female

Test/Approvals

M.D. Micro Detectors S.p.A.

Strada S. Caterina, 235

41122 Modena (MO)

Tel. 059 420411

Fax 059 253973

E-mail info@microdetectors.com

date of printing

01/12/2020 10:29:31