

CF/RB6-10

optical fibers

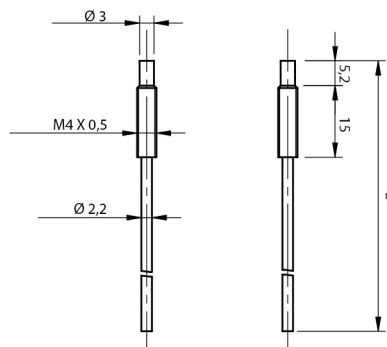


Micro Detectors

Italian Sensors Technology



Indicative image



Detection properties

Distance with SSF	120 mm
Distance with FS1	120 mm
Distance with FX3	600 mm
Distance with FX4	900 mm
Distance with F1R	410 mm

Application

Function Principle	Through-beam P/R
Description	Plastic optical fibres

Mechanical data

Operating temperature	-40°C....+70°C (posa fissa)
Length (m)	1
Ø optical fibre core	1 mm
Head shape	M4
Optical fibre core	PE, plastic
Head material	nickel-plated brass

Test/Approvals

M.D.Micro Detectors S.p.A.

Strada S.Caterina, 235

41122 Modena (MO)

Tel. 059 420411

Fax 059 253973

E-mail info@microdetectors.com

date of printing

01/12/2020 10:21:34