

# CD08/0B-050C5

connectors

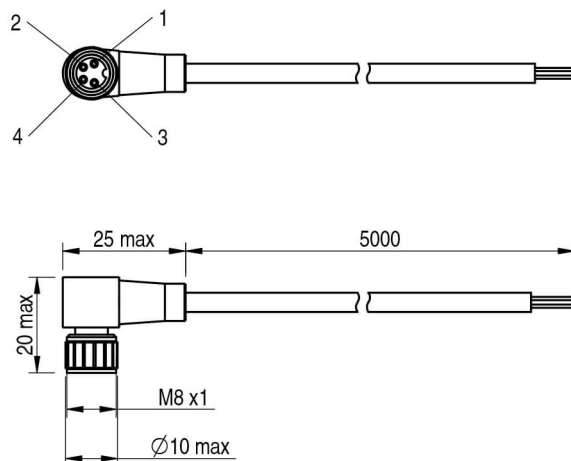


Micro Detectors

Italian Sensors Technology



Indicative image



## Electrical data

Nominal current	4 A
Led	no
Wires	4
Rated impulse voltage	1,5 kV
Nominal voltage	Max. 60 V ac/dc

## Mechanical data

Tightening torque	0,4 Nm
Operating temperature	-5°C...+80°C (flexible installation) -30°C...+80°C (fixed installation)
Length (m)	5
Head type	90°
Plug	M8
Outer diameter	Ø 4,7 mm ± 0,2mm
Jacket material	PUR
Wire isolation	PVC
Conductors section	0,25 mm <sup>2</sup> (32 x 0,10 mm <sup>2</sup> )
Model	Femmina

## Test/Approvals

---

# ELECTRICAL DIAGRAMS OF THE CONNECTIONS

---

BN/1  
\_\_\_\_\_

WH/2  
\_\_\_\_\_

BU/3  
\_\_\_\_\_

BK/4  
\_\_\_\_\_

---

**M.D.Micro Detectors S.p.A.**

Strada S.Caterina, 235  
41122 Modena (MO)  
Tel. 059 420411  
Fax 059 253973  
E-mail [info@microdetectors.com](mailto:info@microdetectors.com)

**date of printing**

01/12/2020 09:07:29