

# AT6/BP-1H

cylindrical inductive

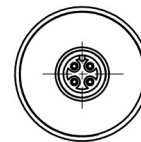
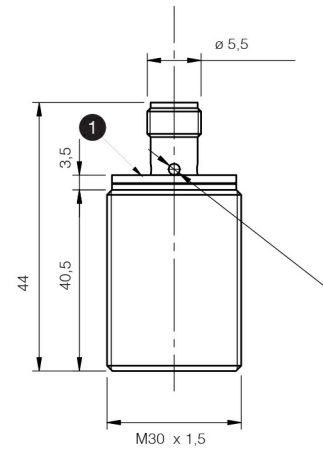


Micro Detectors

Italian Sensors Technology



Indicative image



1 LED



## Detection properties

Nominal sensing distance	10mm
Operanting distance	0...8,1mm
Standard target	30x30mm FE360
Correction Factor	copper: 0,41 / aluminium: 0,47 / brass: 0,52 / stainless steel: 0,84
Thermal drift of Sr	< 10%
Repeat Accuracy	5% (UB 24V Ta=23°C ±5°C)
Hysteresis	1 ... 20%

## Outputs

Output type	PNP
Output Function	NO + NC
Switching frequency	200Hz

## Electrical data

Operating Voltage	10...30Vdc
No-Load supply current	≤ 20mA
Load current	≤ 400mA
Leakage current	≤ 10μA
Output voltage drop	≤ 1V @400mA

Max ripple content	≤10%
LED indicators	Yellow LED output state
Time delay before availability	≤100ms
Short-circuit protection	Yes
Reverse Polarity Protection	Yes
Protection against inductive loads	Yes

## Mechanical data

Mounting	Shielded
Dimensions	M30 x 1,5 / L = 60mm
Weight	80g
Housing Material	Nickel-plated brass
Connections	M12 Plug
Active Head Material	PBT
Tightening torque	50Nm
Operating temperature	-25°C...+70°C
Diameter/Dimension	M30

## Test/Approvals

Approvals	CE cULus
EMC compatibility	IEC 60947-5-2
Shocks and vibrations	Vibration IEC 60068-2-6 / Shock IEC 60068-2-27
Degree of protection	IP67

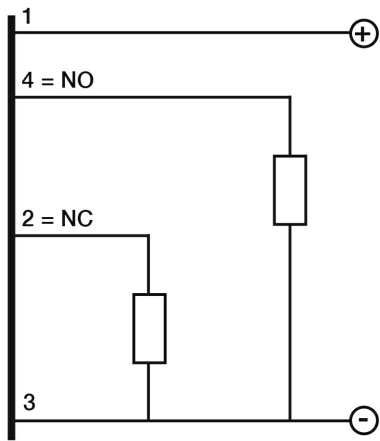
## Accessories

Supplied Accessories	2 nuts M30x1,5
----------------------	----------------

---

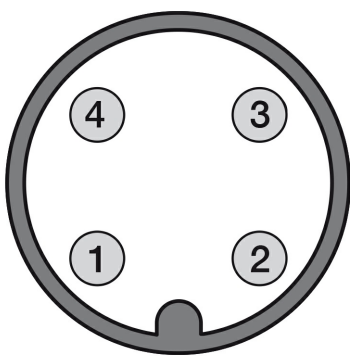
# ELECTRICAL DIAGRAMS OF THE CONNECTIONS

---



# CONNECTOR

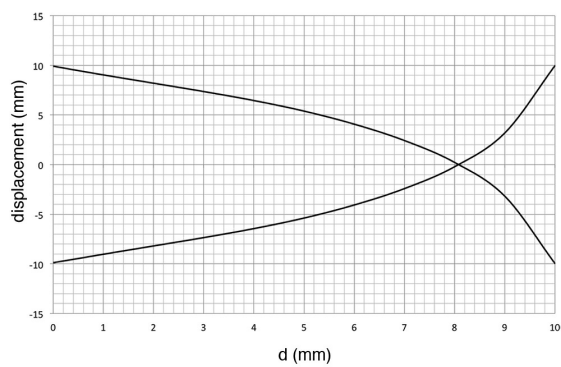
---



# RESPONSE CURVES

---

## Disassamento Parallelo



Strada S.Caterina, 235  
41122 Modena (MO)  
Tel. 059 420411  
Fax 059 253973  
E-mail [info@microdetectors.com](mailto:info@microdetectors.com)

01/12/2020 08:49:01