

# ST 300D

## installation accessories

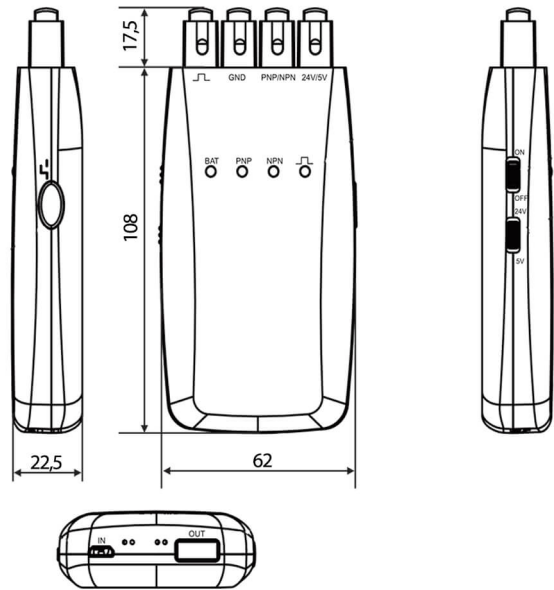


Micro Detectors

Italian Sensors Technology



Indicative image



## Application

Available functions	Short circuit protection - Sleeping mode - Positive pulse
Description	DC sensors tester.
Usable with	Accessories suitable for all types of photoelectric and proximity sensors
Sensor output type detection	NPN / PNP (Automatic detect)
Functions	Short circuit protection Sleeping mode Positive pulse

## Electrical data

Output voltage	4,8 ... 5,2 V (OUT + 5V) 19 ... 24,5V (OUT + 24V) 4,8 ... 5,2 (USB)
Output current for sensors	$\leq 200\text{mA}$ (@5V) $\leq 150\text{mA}$ (@24V)
Battery capacity	2500 mAh
Operating time	10h (@24V, 15mA)
Charging time	$\leq 6\text{h}$
Battery	The product contains a non removable Li-ion battery. For the delivery of the product, follow the National and IATA regulations.

## Mechanical data

Dimensions	124x22x23mm
Weight	190g
Operating temperature	-10°C ... +45°C

---

---

**M.D. Micro Detectors S.p.A.**

Strada S. Caterina, 235

41122 Modena (MO)

Tel. 059 420411

Fax 059 253973

E-mail [info@microdetectors.com](mailto:info@microdetectors.com)

**date of printing**

30/11/2020 16:03:54