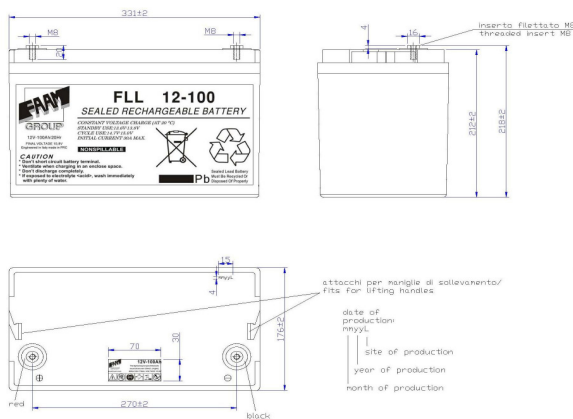




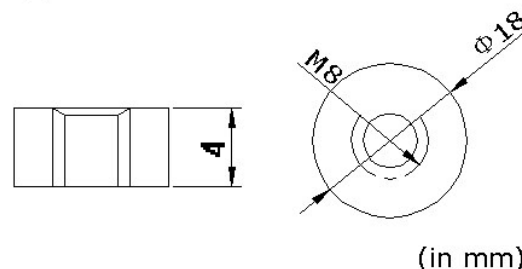
FLL 12-100

DIMENSIONAL FEATURES

Nominal Voltage	12V	Tecnology:AGM VRLA Alloy: Pb/Ca Tipology of plates: flat Temperature exercise : from -10°C to +50°C Battery sealed no maintenance Safety valves VRLA (a valve per each cell) Box and lid material ABS according UL94:V0 IEC 707 Design life >12 years (at 20°C) "Long Life" Standards: IEC CEI EN 60896 Parte 21 and 22
Nominal Capacity (20 hours)	100Ah (Vfin 1,8Vpc at 20°C)	
Dimensions	Length 331 ±2mm Width 176 ±2mm Box Height 214 ±2mm Total Height 218 ±2mm	
Drawing n° 4 00284-0	Weight 30,5 Kg ± 5%	
Standard Terminals	Female screw type : M8	



Bolt-and-nut terminal
Bolt Type:M8



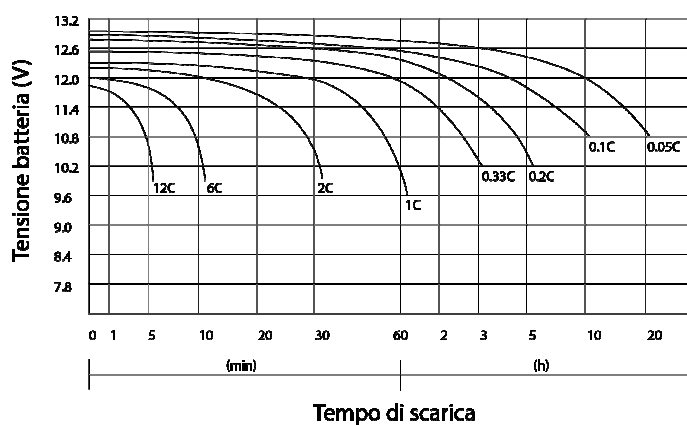
(in mm)

ELECTRIC FEATURES

Characteristics

Capacity	20 hours (1,8Vfin pc at 20°C)	100,00Ah
	10 hours (1,8Vfin pc at 20°C)	85,00Ah
	5 hours (1,7Vfin pc at 20°C)	74,65Ah
	3 hours (1,7Vfin pc at 20°C)	65,43Ah
	1 hour (1,6Vfin pc at 20°C)	52,18Ah
Temperature influence on the capacity	40°C	102%
	20°C	100%
	0°C	85%
Internal Resistance 5,0 mΩ±10%		SCC 2150 A ±10%
Constant Charging Voltage	Cyclic use	Initial Charging Current less than 30A Voltage 14.70~15.00V at 20°C Temperature Coefficient -30 mV/°C
	Stand-by use	No limit on Initial Charging Current Voltage 13.60~13.80V at 20°C Temperature Coefficient -20 mV/°C

Discharging curves (20°C)



Discharge Table at constant Current (Amp) and constant Power (Watt/cell) at 20°C

V _{finale} /Time		5min	15min	30min	60min	90min	120min	180min	300min	480min	600min
9,9V	A	319,81	172,55	94,99	51,91	42,80	36,18	21,86	14,99	10,34	8,93
	W	607,33	338,89	217,33	143,22	104,55	81,24	59,07	41,21	27,86	22,99
10,2V	A	316,84	170,77	92,16	51,87	35,14	29,70	21,81	14,93	10,30	8,79
	W	564,96	332,13	207,69	135,96	99,25	80,85	58,79	40,61	27,46	22,73
10,8V	A	297,50	148,75	87,55	50,66	34,32	29,01	21,57	14,70	10,13	8,50
	W	470,80	293,92	196,68	132,00	96,36	77,00	55,99	39,05	26,40	22,00