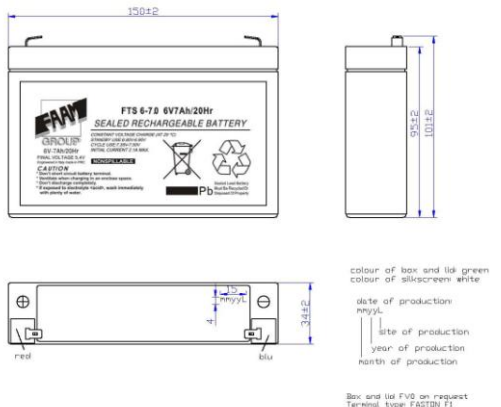
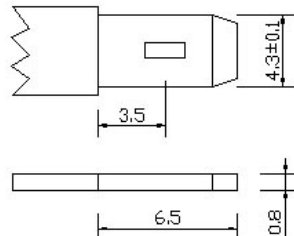
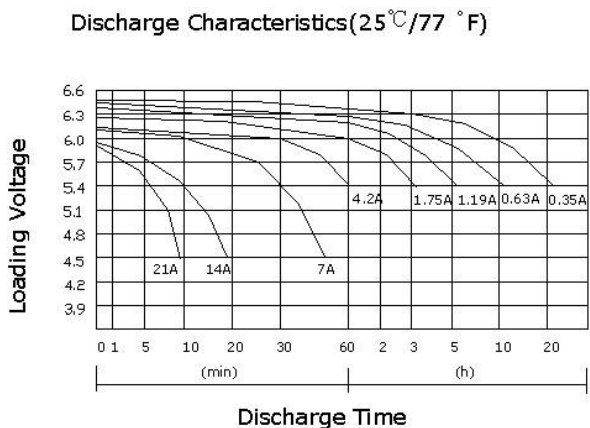
	<h1>FTS 6-7.0</h1>
--	--------------------

PHYSICAL SPECIFICATION

Nominal Voltage		6V
Nominal Capacity (20Hr)		7Ah
Dimension	Length	150 ±2mm
	Width	34 ±2mm
	Container Height	95 ±2mm
	Total Height	101 ±2mm
Drawing 400269-0		Weight 1,15 Kg ± 5%
Standard Terminal		Bolt Type: F1
		<p>F1 Standard Terminal</p>  <p style="text-align: right;">(in mm)</p>

ELECTRICAL SPECIFICATION

Characteristics			Discharge curves @ 25°C (77 °F)
Capacity	20 hour rate	7,00Ah	
	10 hour rate	6,30Ah	
	5 hour rate	5,70Ah	
	3 hour rate	5,07Ah	
	1 hour rate	4,76Ah	
Capacity affected by temperature	40°C	102%	
	20°C	100%	
	0°C	85%	
Internal Resistance 15 mΩ±10%			
Constant Voltage Charge	Cycle	Initial Charging Current less than 2,1A Voltage 7,35~7,50V at 20°C Temperature Coefficient -30 mV/°C	
	Standby	No limit on Initial Charging Current Voltage 6,80~6,90V at 20°C Temperature Coefficient -20 mV/°C	

Constant Current(Amp) and Constant Power (Watt/Cell) Discharge Table at 25°C

Time		5min	15min	30min	60min	90min	120min	180min	300min	480min	600min
4.95V	A	23,83	12,43	7,56	4,49	2,41	2,07	1,79	1,17	0,77	0,66
	W	39,32	20,51	12,47	7,41	3,98	2,92	2,29	1,93	1,27	1,09
5.1V	A	22,60	11,69	7,04	4,27	2,33	1,99	1,69	1,14	0,75	0,65
	W	37,28	19,30	11,61	7,04	3,84	2,79	2,21	1,88	1,24	1,07
5.4V	A	20,04	10,03	6,25	3,83	2,17	1,92	1,65	1,10	0,73	0,63
	W	33,06	16,55	10,31	6,31	3,59	2,66	2,13	1,81	1,20	1,03