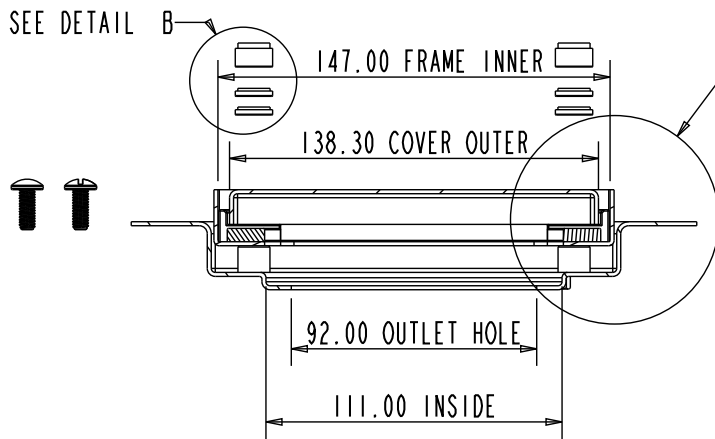
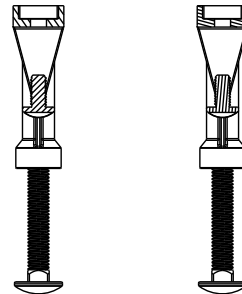
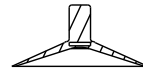


DETAIL A
SCALE 1.500



SECTION A-A

SEE DETAIL A



DETAIL B
SCALE 1.360

	X 4
	X 8

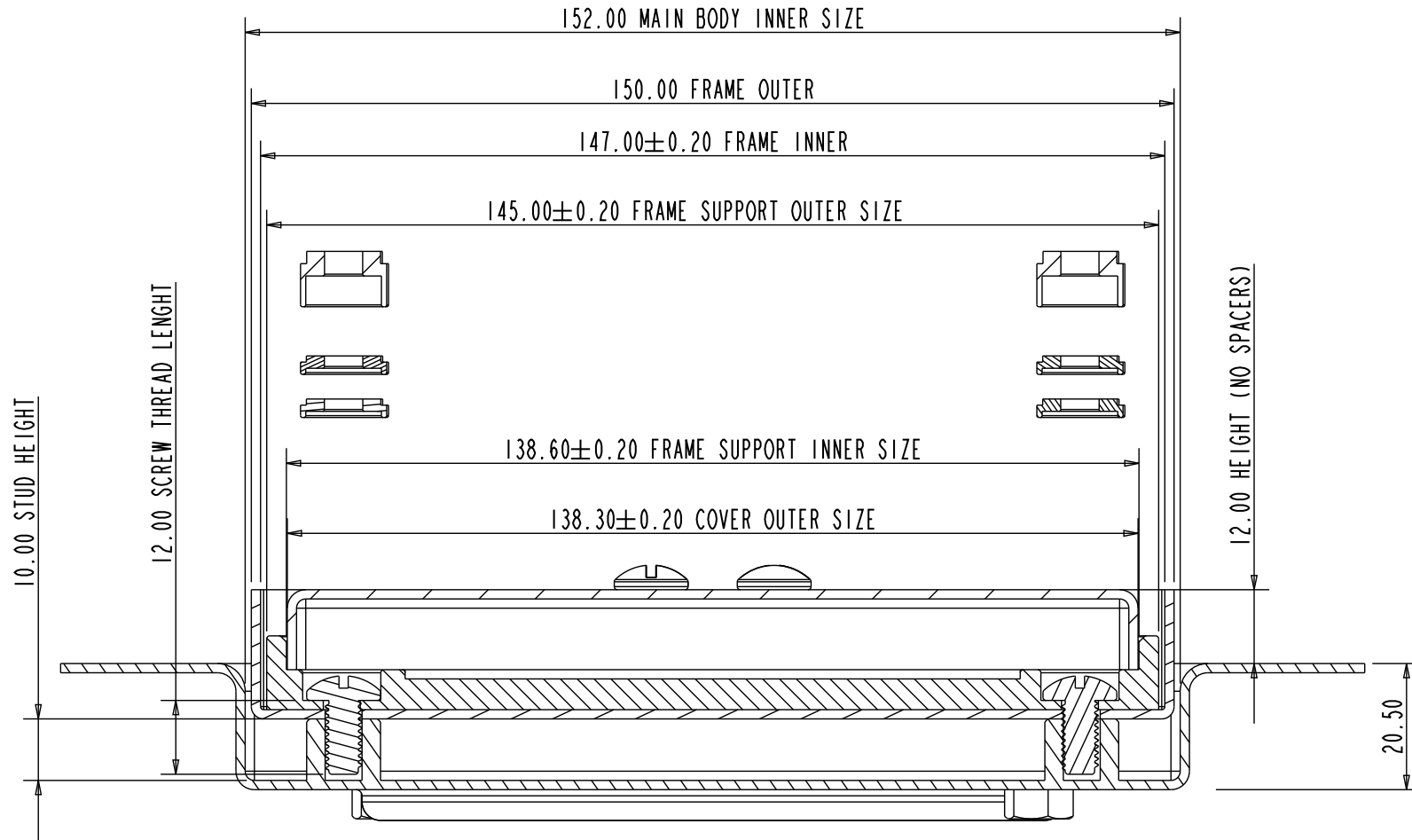
ISSUE	CJM
DRAWN	NEW DRAWING
REV A	CJM
REV B	Prev DWG 16-Nov-09 RENAMED FROM CD-150-S0
REV C	CJM
	Prev DWG 25-May-10 RENAMED FROM CD50-90

11-June-10

11=00

ISSUE CONTROL					DRAWN	CJM	DIMENSIONS IN MILLIMETERS		CODE/DESC.	CD150-90	
LOC	A	M	P	Q	DATE	16-Nov-09	TOLERANCES UNLESS STATED OTHERWISE		150MM FRAME SQUARE CHANNEL DRAIN		
H	-	-	-	-	CHECK	JK	X.	+/-	1.00	MATERIAL	VARIOUS
J	-	-	-	-	SCALE	0.333	X.X	+/-	0.50	FINISH	VARIOUS
C	-	-	-	-			X.XX	+/-	0.10	GRADE	VARIOUS
TB	-	-	-	-			CATEGORY	WASTE			
WR	-	-	-	-					DRAWING NUMBER	1611UJ01	
-	-	-	-	-							

SECTION D-D
SCALE 1.300



ISSUE	
DRAWN	CJM
NEW DRAWING	
REV	CJM
Prev DWG	16-Nov-09
RENAMED FROM	CD-150-S0
REV	CJM
Prev DWG	25-May-10
RENAMED FROM	CDS0-90
A	
B	
C	

11-June-10 11=00

ISSUE CONTROL				
LOC	A	M	P	Q
H	-	-	-	-
J	-	-	-	-
C	-	-	-	-
TB	-	-	-	-
WR	-	-	-	-
-	-	-	-	-
-	-	-	-	-

DATE	CJM
16-Nov-09	
CHECK	JK
SCALE	0.333

DIMENSIONS IN MILLIMETERS	
TOLERANCES UNLESS STATED OTHERWISE	
X.	+/- 1.00
X.X	+/- 0.50
X.XX	+/- 0.10

© MALPINE & CO LTD

CODE/DESC.	CD150-90
150MM FRAME SQUARE CHANNEL DRAIN	
MATERIAL	VARIOUS
FINISH	VARIOUS
GRADE	VARIOUS
CATEGORY	WASTE
DRAWING NUMBER	1611UJ01