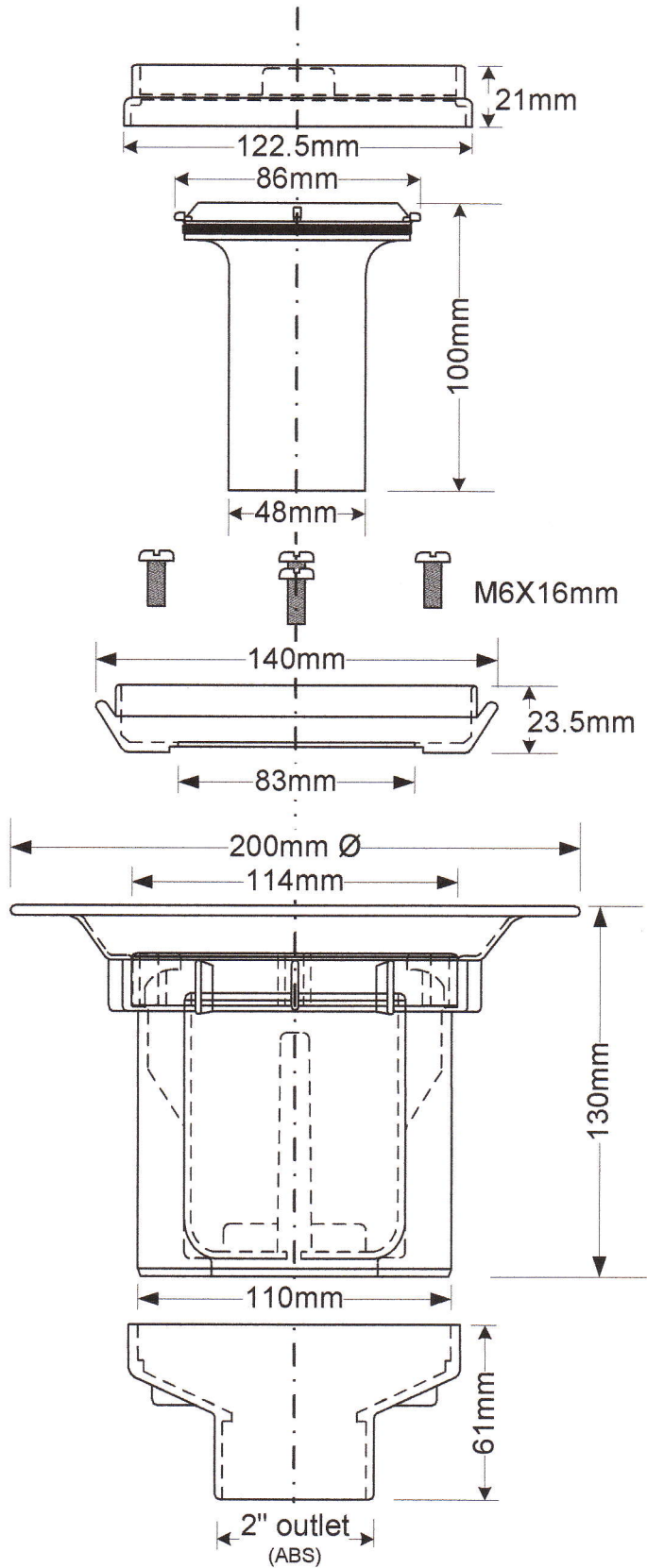


Code:

# TSG2T-B



**Seal height:75mm**

© McALPINE  
21/10/10

Drawing verified  
correct as of:

21.10.10  
D.E

DRAWN BY  
ELLEN McLELLAN

REVISED  
21.10.10

FILENAME  
TSG2T-B.VSD

SCALE  
1:2.5

DATE  
21.10.10