

30W DALI LED Driver

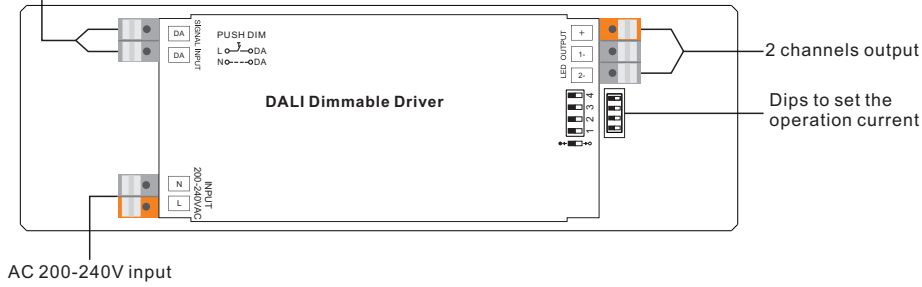
09.2353C.04344



Important: Read All Instructions Prior to Installation

Function introduction

DALI / AC push input



Product Data

Output	LED Channel	2							
	Selectable Current	250mA	300mA	350mA	400mA	450mA	500mA	550mA	600mA
DC Voltage Range	8-48V	8-48V	8-48V	8-48V	8-48V	8-48V	8-48V	8-48V	
Selectable Current	650mA	700mA	750mA	800mA	850mA	900mA	950mA	1000mA	
DC Voltage Range	8-46V	8-43V	8-40V	8-37V	8-35V	8-33V	8-31V	8-30V	
Rated Power	30W max.								
Input	Voltage Range	200-240V AC							
	Frequency	50/60Hz							
	Power Factor (Typ.)	> 0.9							
	Total Harmonic Distortion	THD ≤ 15% (@ full load / 230VAC)							
	Efficiency (Typ.)	83% @ 230VAC							
	Input Current (Typ.)	0.16A @ 230VAC							
	Inrush Current (Typ.)	COLD START Max. 2A at 230VAC							
	Leakage Current	< 0.5mA /230VAC							
Control	Dimming Interface	DALI (DALI consumption < 2mA)							
	Dimming Range	0%-100%							
	Dimming Method	Pulse Width Modulation							
	Dimming Curve	Logarithmic							

Protection	Short Circuit	Yes, recovers automatically after fault condition is removed
	Over Current	Yes, recovers automatically after fault condition is removed
	Over Temperature	Yes, recovers automatically after fault condition is removed
Environment	Working Temp.	-20°C ~ +45°C
	Max. Case Temp.	85°C (Ta= "45°C")
	Working Humidity	10% ~ 95% RH non-condensing
	Storage Temp. & Humidity	-40°C ~ +80°C, 10% ~ 95% RH
Safety & EMC	Safety Standards	EN61347-1, EN61347-2-13
	Withstand Voltage	I/P-O/P: 3.75KVAC
	Isolation Resistance	I/P-O/P: 100M Ohms / 500VDC / 25°C / 70% RH
	EMC Emission	EN55015, EN61000-3-2, EN61000-3-3
	EMC Immunity	EN61547, EN61000-4-2,3,4,5,6,8,11, surge immunity Line-Line 1KV
Others	MTBF	193600H, MIL-HDBK-217F @ 230VAC at full load and 25°C ambient temperature
	Dimension	170x53.4x28mm (L*W*H)

Dips to set the operation current

	1	2	3	4		1	2	3	4
250mA	●	●	●	●	650mA	○	●	●	●
300mA	●	●	●	○	700mA	○	●	●	○
350mA	●	●	○	●	750mA	○	○	●	●
400mA	●	●	○	○	800mA	○	●	○	○
450mA	●	○	●	●	850mA	○	○	●	●
500mA	●	○	○	○	900mA	○	○	○	○
550mA	●	○	○	●	950mA	○	○	○	●
600mA	●	○	○	○	1000mA	○	○	○	○

- Dimmable LED driver
- Max. output power 30W
- 2 channels 250-1000mA constant current output
- Dips to set the operation current
- Class II power supply, full isolated plastic case
- High power factor and efficiency
- Built-in DALI/AC push interface, DALI DT6 device
- Complies with DALI standards IEC62386-101, 102, 207
- 2 DALI addresses to control 2 output channels separately
- Enables to control single color, CCT (needs 2 DALI addresses) LED lighting
- Compliant with Safety Extra Low Voltage standard
- Short circuit, over load, over temperature protection
- IP20 rating, suitable for indoor LED lighting applications
- 5 years warranty

Safety & Warnings

- DO NOT install with power applied to device.
- DO NOT set the operation current with power applied
- DO NOT expose the device to moisture.

Operation

1. Output Current

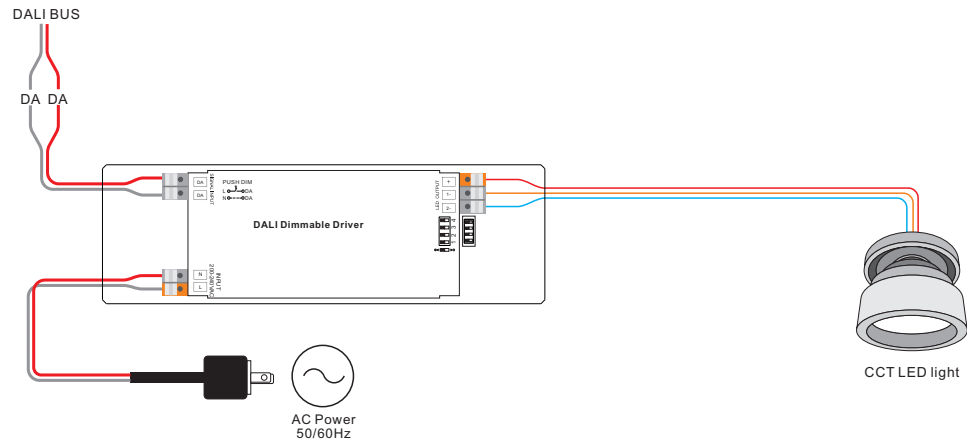
Select the correct output current before wiring to LED light by DIP Switches. Please make sure the power to the driver is disconnected before selection of the output current.

2. DALI Address

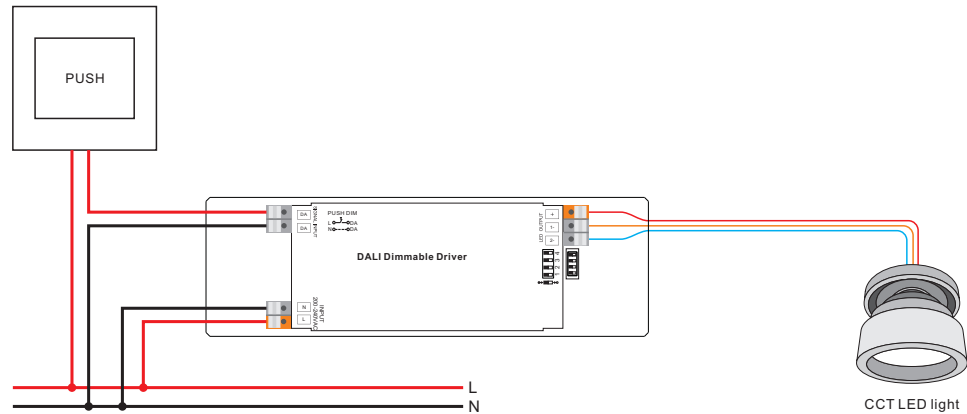
2 DALI addresses for 2 channels output are assigned by DALI Master controller automatically, please refer to user manuals of compatible DALI Masters for specific operations.

Wiring Diagram

1. With DALI bus



2. With AC push



Product Dimension

