

# QXX/00-2A

cubic photosensors

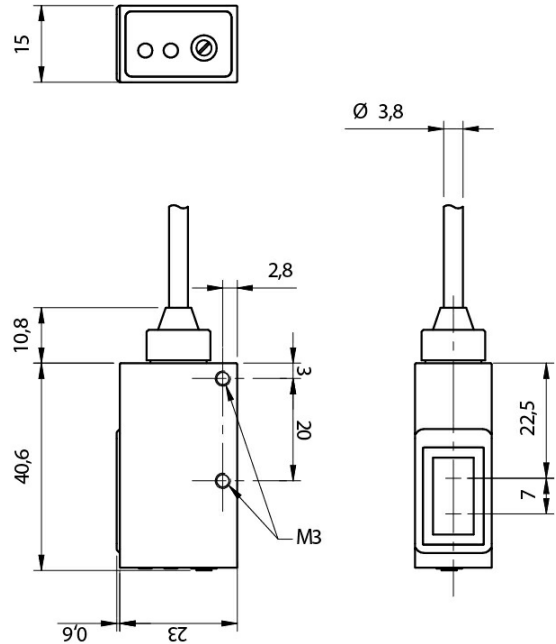


Micro Detectors

Italian Sensors Technology



Indicative image



## Detection properties

Nominal sensing distance	8m
Repeat Accuracy	≤ 5%
Sensitivity adjustment	1 turn trimmer

## Application

Function Principle	Emitter
Optic position	90°

## Outputs

Switching frequency	500Hz
---------------------	-------

## Electrical data

Operating Voltage	10...30Vdc
No-Load supply current	20mA max
Load current	≤ 300mA
Leakage current	≤ 100µA @ 30Vdc
Output voltage drop	1,2V max
Max ripple content	≤ 10%
Time delay before availability	200ms

Short-circuit protection	Yes
Reverse Polarity Protection	Yes
Emission	Red (660nm)
Interference to external light	3000lux Incandescent Lamp, 10000lux

## Mechanical data

Dimensions	15x23x91
Weight	70g
Connections	2m PVC cable
Active Head Material	Acrylic
Operating temperature	- 25°C...+ 70°C ( without freeze)
Material	ABS
Diameter/Dimension	Cubic

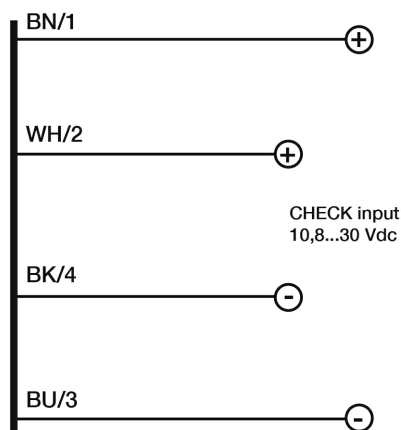
## Test/Approvals

Approvals	CE
EMC compatibility	EN 60947-5-2
Shocks and vibrations	Vibration IEC 60068-2-6 / Shock IEC 60068-2-28
Degree of protection	IP65

## Accessories

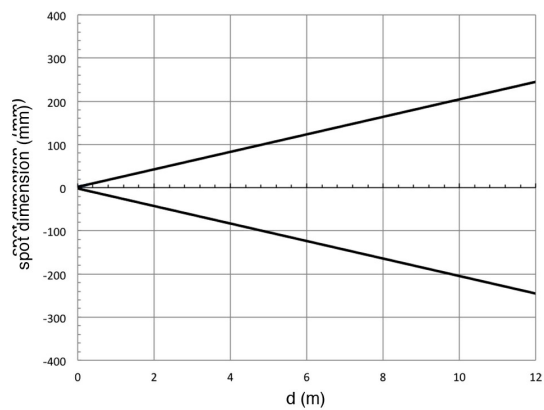
Supplied Accessories	ST70 mounting brakets and screws
----------------------	----------------------------------

# ELECTRICAL DIAGRAMS OF THE CONNECTIONS

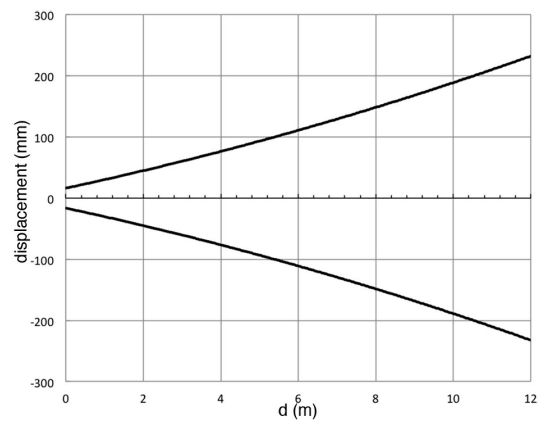


# RESPONSE CURVES

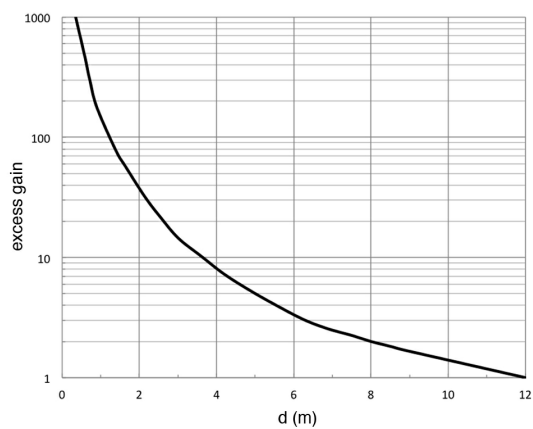
## Dimensione Spot



## Disassamento Parallelo



## Eccesso di Guadagno



41122 Modena (MO)  
Tel. 059 420411  
Fax 059 253973  
E-mail [info@microdetectors.com](mailto:info@microdetectors.com)