

Output voltage drop	≤ 2,5 Vdc @ 200mA
Max ripple content	10%
Time delay before availability	≤ 1ms
Short-circuit protection	Yes
Reverse Polarity Protection	Yes
Emission	Red

Mechanical data

Dimensions	50X50mm
Weight	200g
Connections	M12 plug
Active Head Material	PMMA
Operating temperature	- 20°C...+ 60°C (UL omologation 0°C...60°C)
Material	PC/ABS
Diameter/Dimension	Cubic

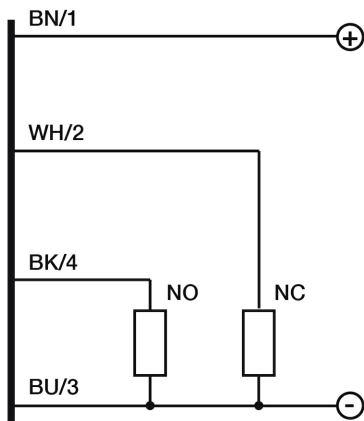
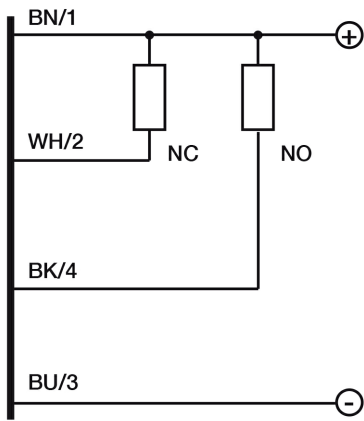
Test/Approvals

EMC compatibility	EN 60947-5-2
Shocks and vibrations	Vibration IEC 60068-2-6 / Shock IEC 60068-2-66
Degree of protection	IP67

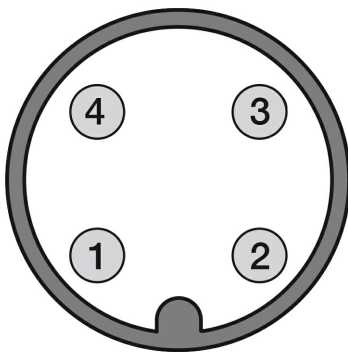
Accessories

Supplied Accessories	Mounting bracket included
----------------------	---------------------------

ELECTRICAL DIAGRAMS OF THE CONNECTIONS

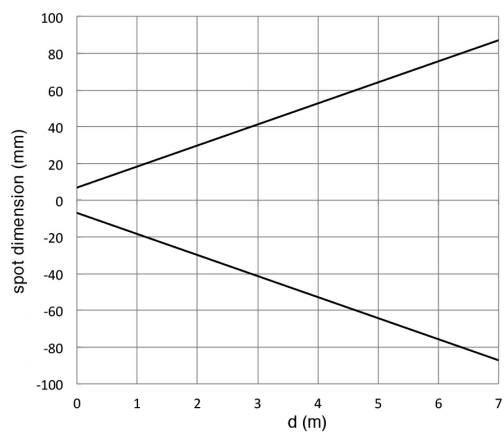


CONNECTOR

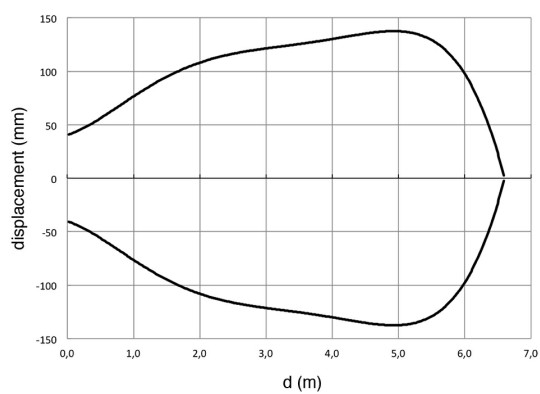


RESPONSE CURVES

Dimensione Spot



Disassamento Parallelo



M.D. Micro Detectors S.p.A.

Strada S. Caterina, 235

41122 Modena (MO)

Tel. 059 420411

Fax 059 253973

E-mail info@microdetectors.com

date of printing

20/11/2020 15:58:10