

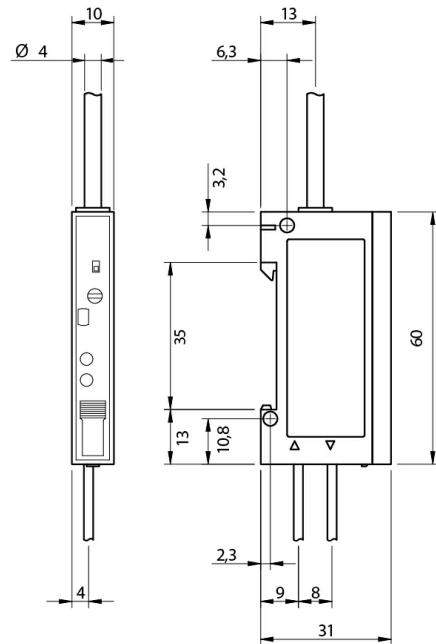
FX3/0P-0A

Amplificatori per Fibre Ottiche



Micro Detectors

Italian Sensors Technology



Detection properties

Nominal sensing distance	Vedi tabella delle fibre ottiche
Operative range	20...200 mm
Thermal drift of Sr	0.2 % / °C
Sensitivity adjustment	Potenziometro
Hysteresis	10%

Outputs

Output type	PNP
Output Function	LO/DO
Switching frequency	≤ 1,500 Hz

Electrical data

Operating Voltage	10...30Vdc
No-Load supply current	≤ 15 mA typ. A / a UB =24 V
Load current	≤ 200 mA
Leakage current	≤ 0.1 mA

Output voltage drop	≤ 20% V a / a 200 mA
Max ripple content	≤ 20% V / al / UB
LED indicators	Giallo (uscita attivata); verde (alimentazione)
Time delay before availability	300 ms
Short-circuit protection	Si
Reverse Polarity Protection	Si
Emission	Led Rosso
Interference to external light	5.000lux (lampada ad incandescenza), 10.000lux (luce solare)
Impulsive Overvoltage Protection	Si

Mechanical data

Dimensions	10x31x60 mm
Weight	69 g
Housing Material	PBTP
Connections	2m PVC cable
Operating temperature	- 25°C...+ 55°C (senza condensa)

Test/Approvals

Approvals	CE
EMC compatibility	EN 60947-5-2
Shocks and vibrations	IEC 60947-5-2 / 7.4
Degree of protection	IP64

M.D.Micro Detectors S.p.A.

Strada S.Caterina, 235
 41122 Modena (MO)
 Tel. 059 420411
 Fax 059 253973
 E-mail info@microdetectors.com

date of printing

20/11/2020 15:38:17