

# FS1/0P-C

## Amplificatori per Fibre Ottiche

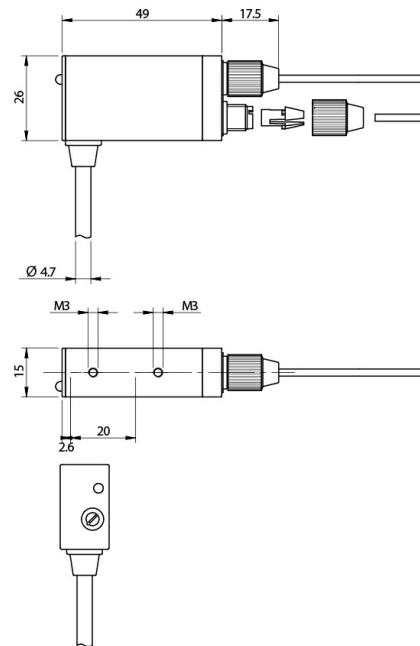


Micro Detectors

Italian Sensors Technology



Indicative image



## Detection properties

Nominal sensing distance

See optical fibres table

Sensitivity adjustment

1 turn trimmer

## Outputs

Output type

PNP

Output Function

LO/DO

Switching frequency

1 kHz

## Electrical data

Operating Voltage

10...30Vdc

No-Load supply current

100 mA

Load current

30 mA

Output voltage drop

1.2 V max

Max ripple content

≤ 10 %

LED indicators

Red (output NO energized)

Time delay before availability

200 ms

Short-circuit protection

Yes

Reverse Polarity Protection

Yes

Emission

Red (660 nm)

Interference to external light

3.000lux (incandescent lamp), 10.000lux (sunlight)

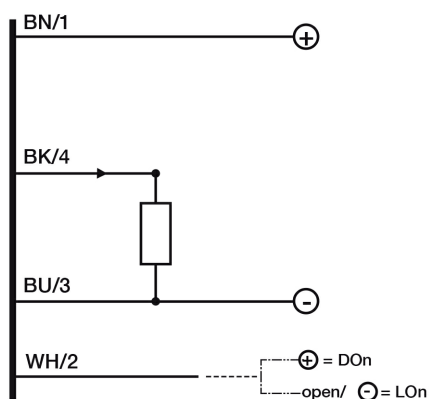
## Mechanical data

Dimensions	15x26x67 mm
Weight	120 g
Housing Material	Polyamide
Connections	2m PVC cable - 90° Output
Active Head Material	Depending by optical fibres
Operating temperature	- 25°C...+ 70°C (without freeze)

## Test/Approvals

Approvals	CE
Degree of protection	IP67

# ELECTRICAL DIAGRAMS OF THE CONNECTIONS



### M.D.Micro Detectors S.p.A.

Strada S.Caterina, 235  
41122 Modena (MO)  
Tel. 059 420411  
Fax 059 253973  
E-mail [info@microdetectors.com](mailto:info@microdetectors.com)

### date of printing

20/11/2020 15:36:31