

# FGRN/OP-0E

cubic photosensors

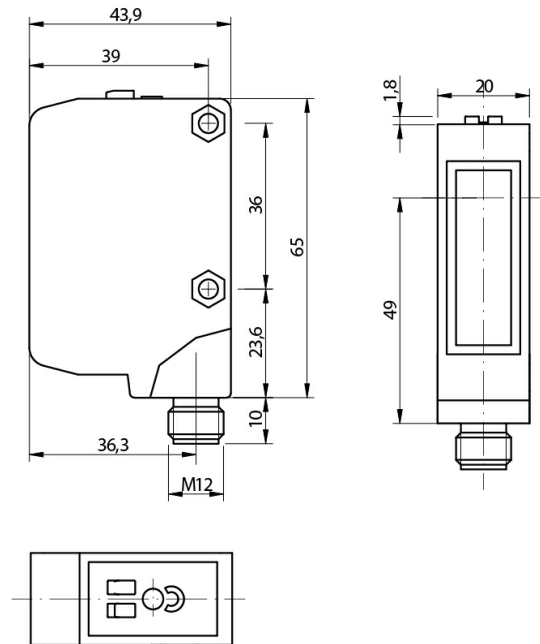


Micro Detectors

Italian Sensors Technology



Indicative image



## Detection properties

Nominal sensing distance 12m with reflector RL 123 included

Sensitivity adjustment Potentiometer 2 turns with position indicator

## Application

Function Principle Polarized

Optic position Axial

## Outputs

Output type PNP

Output Function LO/DO selectable

Switching frequency 1kHz

## Electrical data

Operating Voltage 10...30Vdc

No-Load supply current 35mA

Load current  $\leq 100\text{mA}$

Output voltage drop 1,8V max @ 100mA

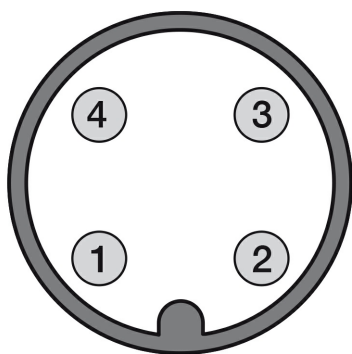
Max ripple content 5Vpp

LED indicators Red led indicator



# CONNECTOR

---

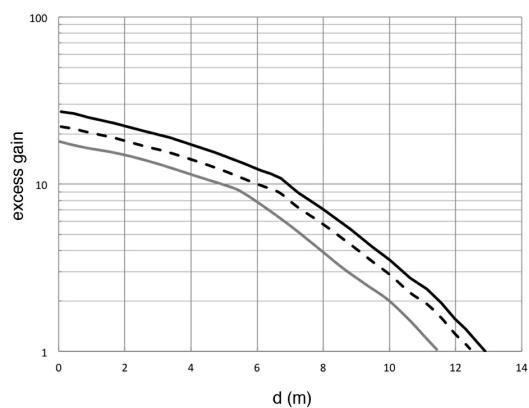


---

## RESPONSE CURVES

---

### Eccesso di Guadagno



---

**M.D. Micro Detectors S.p.A.**

Strada S. Caterina, 235

41122 Modena (MO)

Tel. 059 420411

Fax 059 253973

E-mail [info@microdetectors.com](mailto:info@microdetectors.com)

**date of printing**

20/11/2020 15:19:12