

BS4/00-0C

cubic photosensors

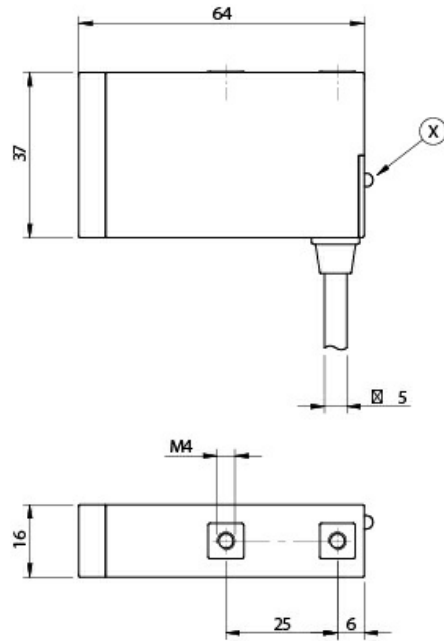


Micro Detectors

Italian Sensors Technology



Indicative image



Detection properties

Nominal sensing distance	200mm
Repeat Accuracy	≤ 5%
Sensitivity adjustment	1 turn trimmer

Application

Function Principle	Diffuse reflection (short distance, ≤200mm)
Optic position	Axial

Outputs

Output type	Decout NPN/PNP Selectable
Output Function	Decout NO/NC Selectable
Switching frequency	80Hz

Electrical data

Operating Voltage	10...30Vdc
No-Load supply current	25mA max
Load current	100mA
Leakage current	≤ 10μA
Output voltage drop	1,2V max

Max ripple content	≤ 10%
LED indicators	Red (output energized)
Time delay before availability	200ms
Short-circuit protection	Yes
Reverse Polarity Protection	Yes
Emission	Infrared (880nm)
Interference to external light	3000lux Incandescent Lamp, 10000lux

Mechanical data

Dimensions	16x37x64
Weight	185g
Connections	2m PVC cable - 90° Output
Active Head Material	PMMA
Operating temperature	- 25°C...+ 70°C (without freeze)
Material	ABS
Diameter/Dimension	Cubic

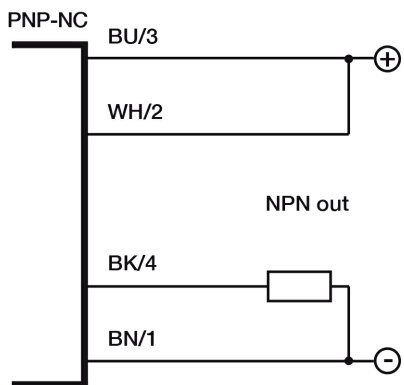
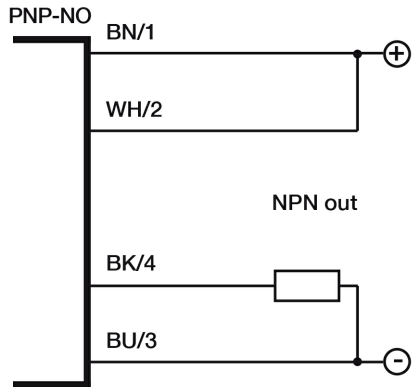
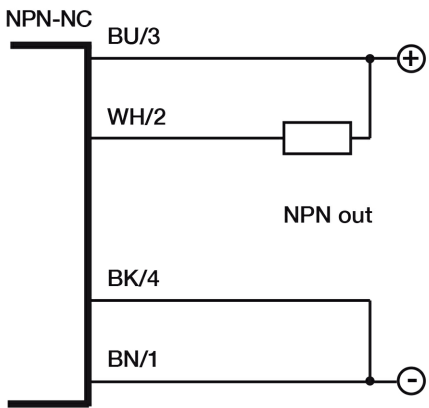
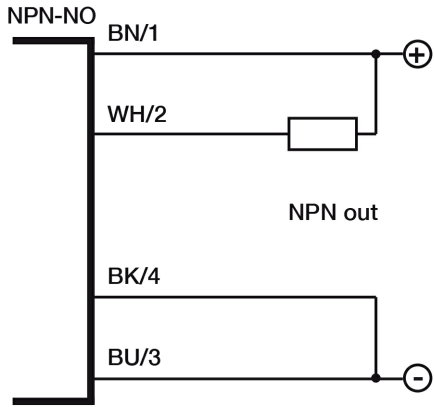
Test/Approvals

Approvals	CE
EMC compatibility	EN 60947-5-2
Shocks and vibrations	Vibration IEC 60068-2-6 / Shock IEC 60068-2-31
Degree of protection	IP65

Accessories

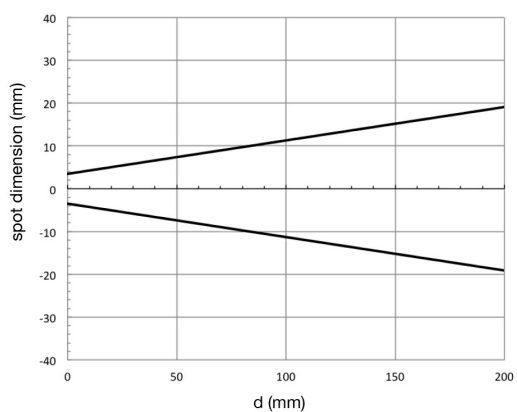
Supplied Accessories	ST01 mounting brakets and screws
----------------------	----------------------------------

ELECTRICAL DIAGRAMS OF THE CONNECTIONS

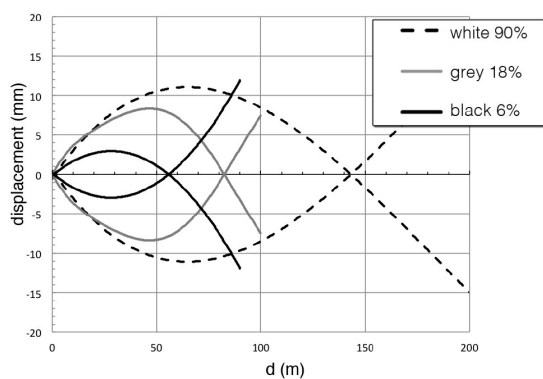


RESPONSE CURVES

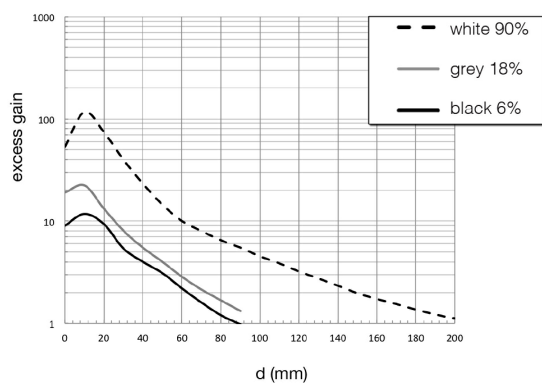
Dimensione Spot



Disassamento Parallelo



Eccesso di Guadagno



41122 Modena (MO)
Tel. 059 420411
Fax 059 253973
E-mail info@microdetectors.com