

Q50I8/B0-0A

cubic photosensors

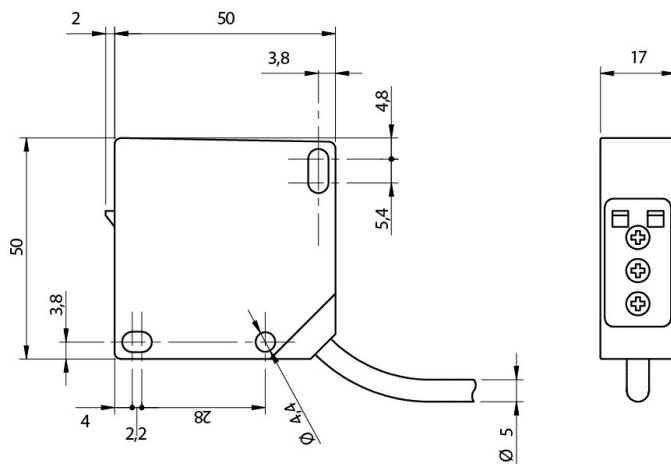


Micro Detectors

Italian Sensors Technology



Indicative image



Detection properties

Nominal sensing distance

0.3...2m

Sensitivity adjustment

Single-turn potentiometer

Application

Function Principle

Diffuse reflection (long distance, >600mm)

Optic position

Axial

Outputs

Output type

NPN/PNP Configurabile

Output Function

NO + NC

Switching frequency

500Hz

Electrical data

Operating Voltage

10...30Vdc

No-Load supply current

≤ 40mA

Load current

≤ 200mA

Output voltage drop	≤ 2,5 Vdc @ 200mA
Max ripple content	10%
Short-circuit protection	Yes
Reverse Polarity Protection	Yes
Emission	Infrared

Mechanical data

Dimensions	50X50mm
Weight	200g
Connections	2m PVC cable
Active Head Material	PMMA
Operating temperature	- 20°C...+ 60°C (UL omologation 0°C...60°C)
Material	PC/ABS
Diameter/Dimension	Cubic

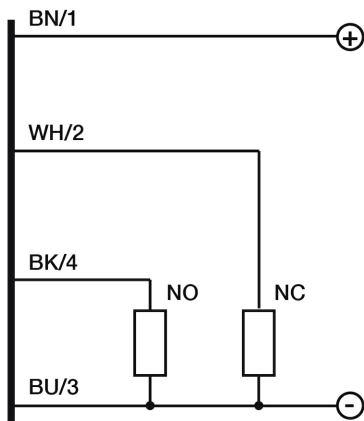
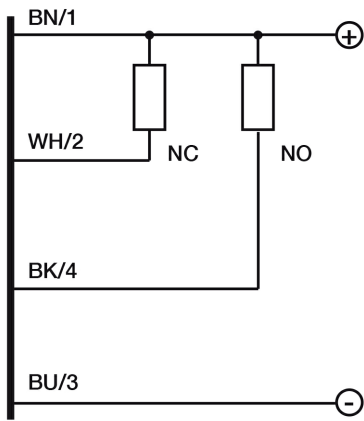
Test/Approvals

EMC compatibility	EN 60947-5-2
Shocks and vibrations	Vibration IEC 60068-2-6 / Shock IEC 60068-2-54
Degree of protection	IP67

Accessories

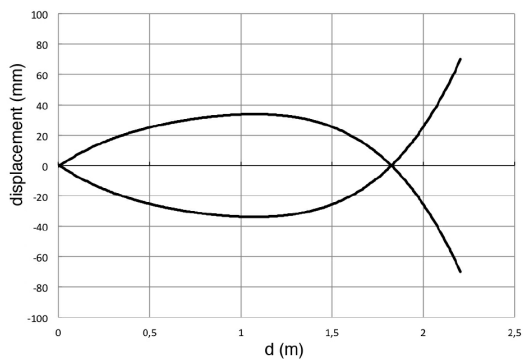
Supplied Accessories	Mounting bracket included
----------------------	---------------------------

ELECTRICAL DIAGRAMS OF THE CONNECTIONS



RESPONSE CURVES

Disassamento Parallelo



M.D. Micro Detectors S.p.A.

Strada S. Caterina, 235

41122 Modena (MO)

Tel. 059 420411

Fax 059 253973

E-mail info@microdetectors.com

date of printing

20/11/2020 13:37:29

