

FC4/A-00

fork sensors

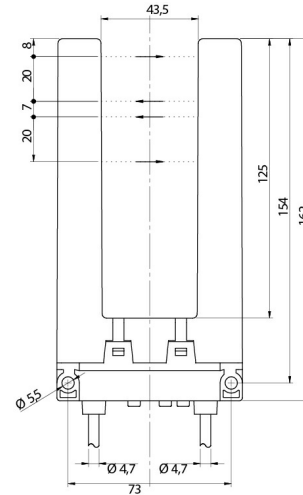
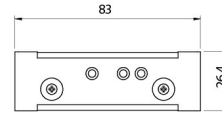


Micro Detectors

Italian Sensors Technology



Indicative image



Detection properties

Beam angle	$\pm 15^\circ$
Sensibility	1 sheet of 80g/m ² white paper
Tilting hysteresis	7mm
Optics diameter	3mm

Outputs

Output type	2 x complementary PNP
Switching frequency	100 hz with 1/1 dark-light
Sampling period	4ms
4 optical scan period	600 μ s
Response time outputs ONO and ONC	4,7ms
Response time contact output A	8ms (open); 500ms (close)

Electrical data

Operating Voltage	10...30Vdc
No-Load supply current	≤ 70 mA
Load current	≤ 300 mA
Leakage current	≤ 10 μ A

Output voltage drop	≤ 2,5V @ Iload = 100mA
Max ripple content	< 5Vpp
Emission	infrared
Interference to external light	10000 lux (artificial light)
Optical power class	1 (no danger)
Maximum capacitance load	300mA
Test input levels (expected, but not connected)	LO ≤ 5V (or open), HI * 15V according to IEC61131-2 (2007)
VDE protection class	III (max. voltage 50VAC), 500V (insulation)
Output A (alarm)	Electromechanical contact, 1A, 30Vdc, no short circuit protection

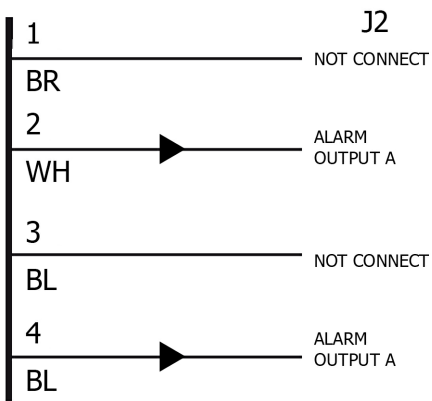
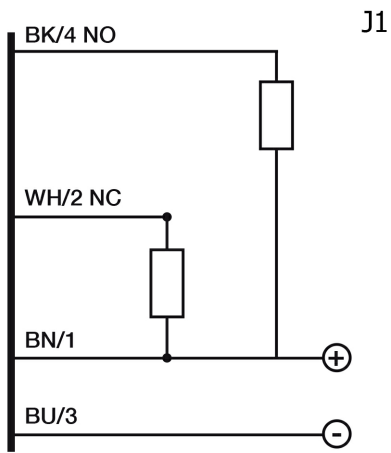
Mechanical data

Dimensions	26,4 x 83 x 162mm
Weight	200g
Housing Material	PC
Connections	2 x cable
Operating temperature	-20°C ... + 55°C
Storage temperature	-40°C ... +75°C
humidity	15% ... 95%

Test/Approvals

Approvals	CE
EMC compatibility	Conforming with EMC directive according with EN60947-5-2
Shocks and vibrations	shock resistance according to IEC60068-2-27: 3 axes x 6, half sine, Acc: 30g; Dur: 11s vibration resistance according IEC60068-2-6: freq:10...55hz; Ampl:0,5mm; Sweep:5min; Fr: 3x30min
Degree of protection	IP67

ELECTRICAL DIAGRAMS OF THE CONNECTIONS



M.D.Micro Detectors S.p.A.

Strada S.Caterina, 235
 41122 Modena (MO)
 Tel. 059 420411
 Fax 059 253973
 E-mail info@microdetectors.com

date of printing

20/11/2020 11:10:47