

C30P/BP-1A

capacitive

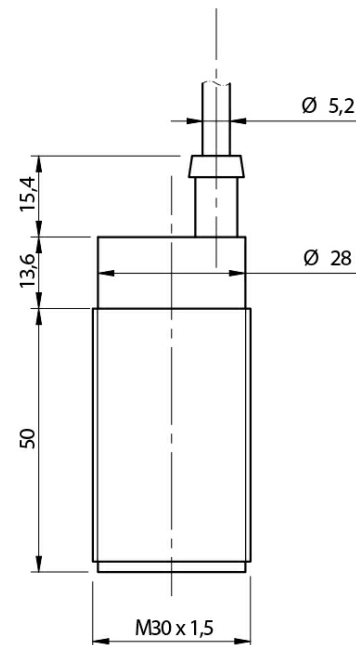


Micro Detectors

Italian Sensors Technology



Indicative image



Detection properties

Nominal sensing distance	2...16mm
Thermal drift of Sr	< 20%
Repeat Accuracy	5%
Sensitivity adjustment	Yes
Hysteresis	≤ 20%

Outputs

Output type	PNP
Output Function	NO + NC
Switching frequency	30Hz

Electrical data

Operating Voltage	10...40Vdc
-------------------	------------

No-Load supply current	≤ 12mA
Load current	≤ 200mA
Leakage current	≤ 100μA
Output voltage drop	2,5Vmax @ IL=200mA
Max ripple content	≤10%
LED indicators	Yellow LED (object detected)
Time delay before availability	≤ 200ms
Short-circuit protection	Yes, autoreset
Reverse Polarity Protection	Yes
Impulsive Overvoltage Protection	Yes

Mechanical data

Mounting	Shielded
Dimensions	M30 / L = 79mm
Weight	180g
Housing Material	Polyester
Connections	2m PVC cable
Active Head Material	Polyester
Tightening torque	50Nm
Operating temperature	-25°C...+80°C (without freeze)
Storage temperature	-40°C...+85°C
Diameter/Dimension	M30

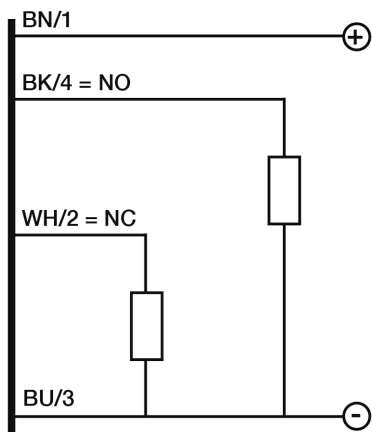
Test/Approvals

Approvals	CE cULus
EMC compatibility	IEC 60947-5-2
Shocks and vibrations	Vibration IEC 60068-2-6 / Shock IEC 60068-2-27
Degree of protection	IP67

Accessories

Supplied Accessories	screw driver, 2 x M30 nuts
----------------------	----------------------------

ELECTRICAL DIAGRAMS OF THE CONNECTIONS



M.D.Micro Detectors S.p.A.

Strada S.Caterina, 235

41122 Modena (MO)

Tel. 059 420411

Fax 059 253973

E-mail info@microdetectors.com

date of printing

19/11/2020 16:22:58