

# HYVA POWER UNIT

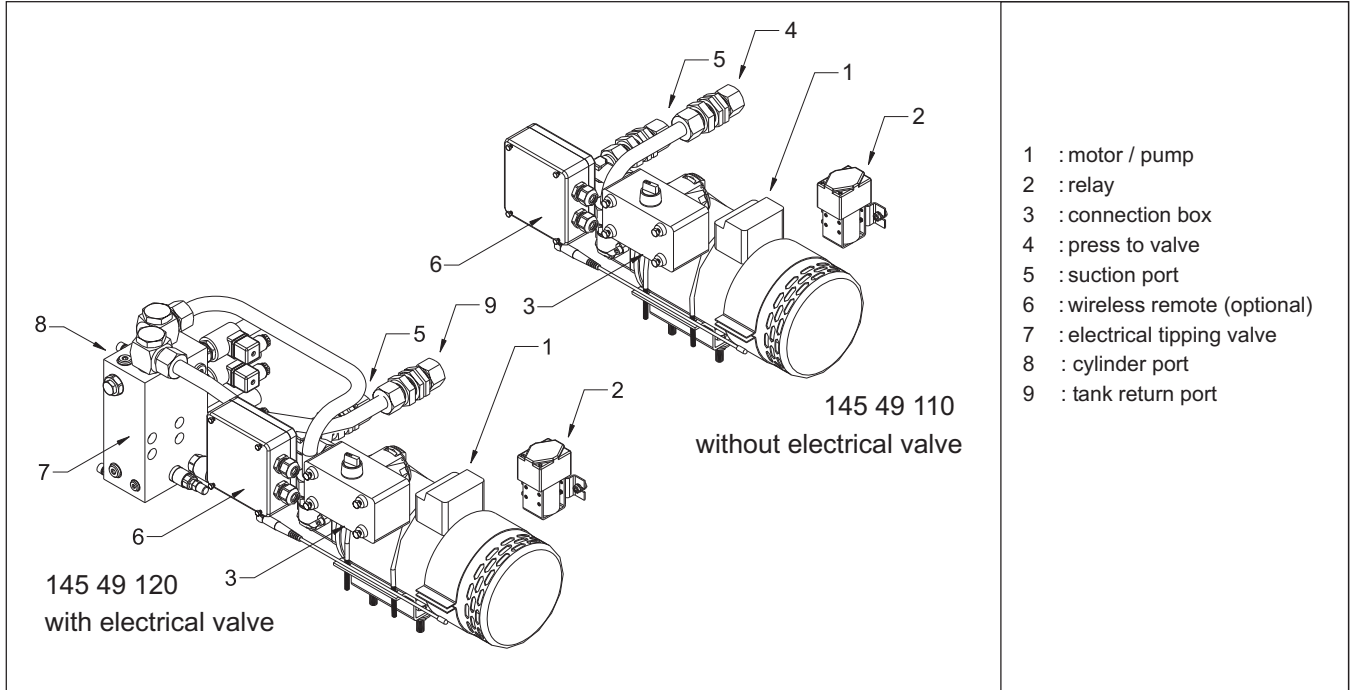


4500W / 6.3cc / 24V

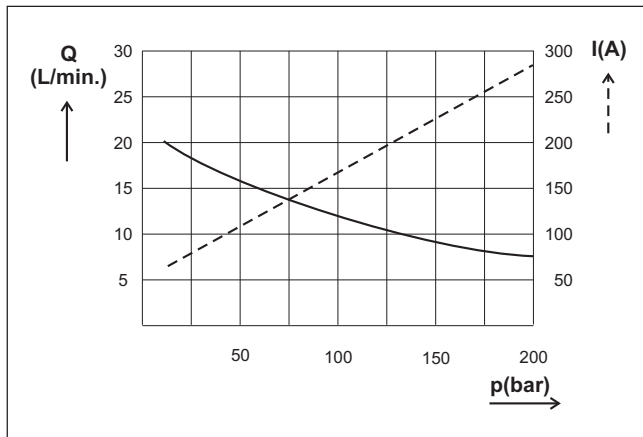
Hyva

type : Power Unit 4500W / 6.3cc / 24V  
 part numbers : 145 49 110 & 145 49 120

page # 1 / 2



## performance curves



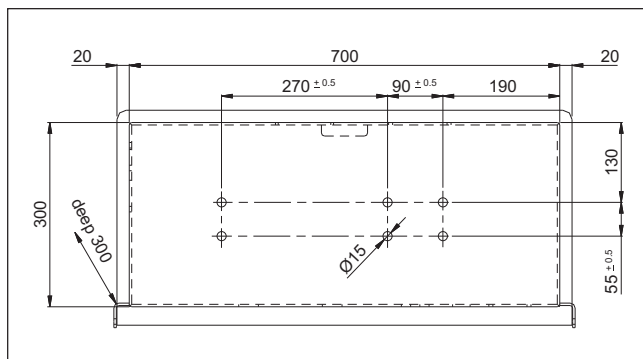
## specifications

Voltage	: 24	V
Nominal power	: 4500	W
Pump size	: 6.3	cc/rev.
Hydr. connections	: C	G1" BSPIT
		P&T 20S (or G3/4" with adaptor)
Weight	: part number 145 49 120	48,5kg
	: part number 145 49 110	42,5kg
Default press. setting	: 150	bar
Recommended oil	: 750	ISO VG 32
Degree of protection	: IP549	

Axis labels mentioned in the performance curves

Oil pressure	: p	in bar
Pump flow	: Q	in L/min.
Electrical current	: I	in Amperes

## hole pattern



## General

The power unit is pre-mounted in a closed solid aluminium box complete with full electrical control and hydraulic tipping valve.

Operating:

Tipping and save lowering; High speed lowering  $p < 40$  bar, low speed when  $p > 40$  bar. This is chosen automatically through pressure switch

Mounting:

See document POW-0005 for the mounting instructions.

# HYVA POWER UNIT



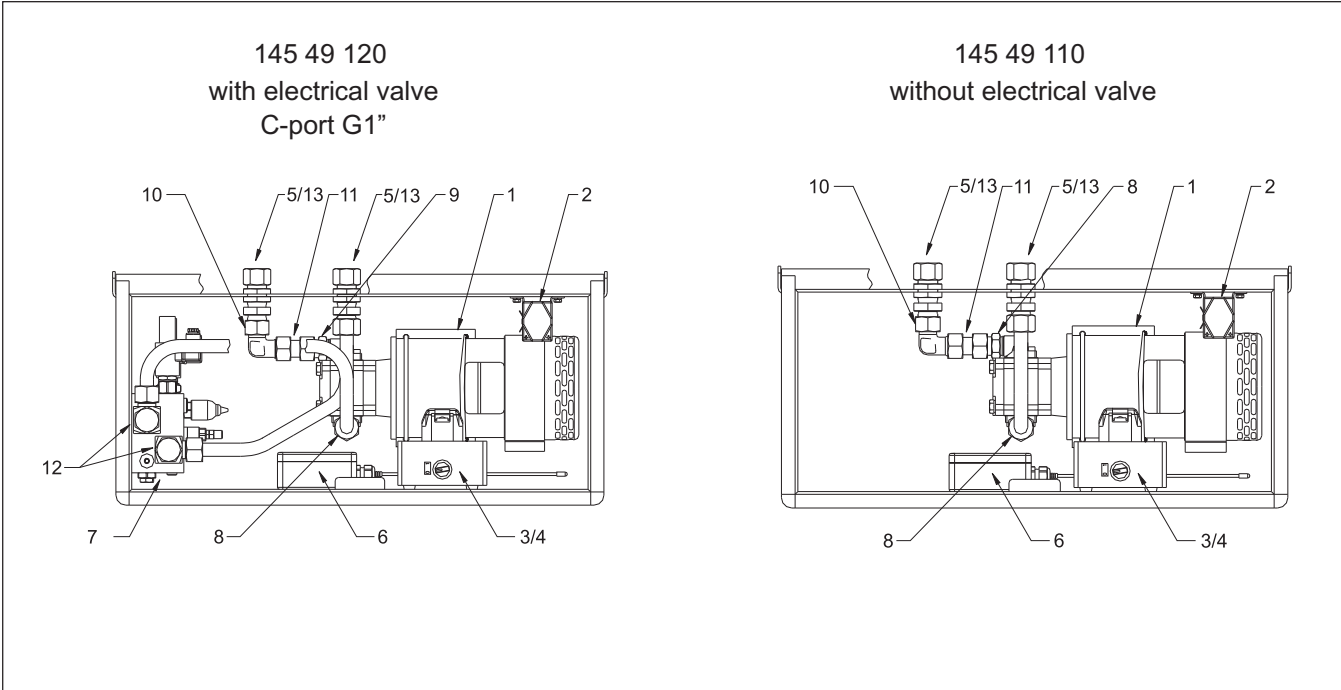
4500W / 6.3cc / 24V

Hyva

type : Power Unit 4500W / 6.3cc / 24V

part numbers : 145 49 110 & 145 49 120

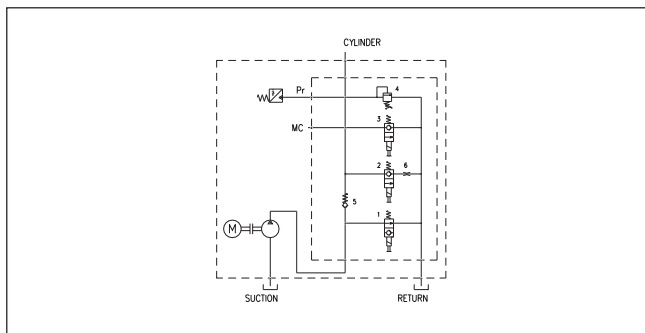
page # 2 / 2



## spare part list

no.	part no.	description	qty.
1	145 49 005	motor / pump / bracket / adapters	1
2	145 50 505 H	relay	1
3	145 49 015	connection box for 145 49 120	1
4	145 49 016	connection box for 145 49 110	1
5	149 50 190	port for 20 mm pipe	2
6	145 49 075	wireless remote (optional)	1
7	147 54 060	electrical tipping valve	1
8	149 50 625	coupling 1/2"-20S	1
9	145 49 029	coupling type 1/2"-20S	1
10	892 20 439	90° swivel	1
11	145 49 032	straight adaptor	1
12	149 56 280	banjo elbow	2
13	149 50 640	adapter 20S to 3/4" BSP (optional)	2
	147 52 225	remote control (not shown)	1

## hydraulic scheme (with valve)



## electric scheme

